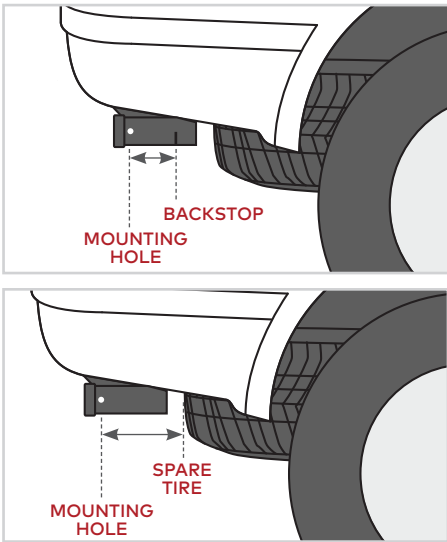


# HITCH FIT MEASUREMENT

Using the table chart, compare measurements to see which hitch racks will work with a specific vehicle. Measurement must be equal to or greater than the product measurement listed.

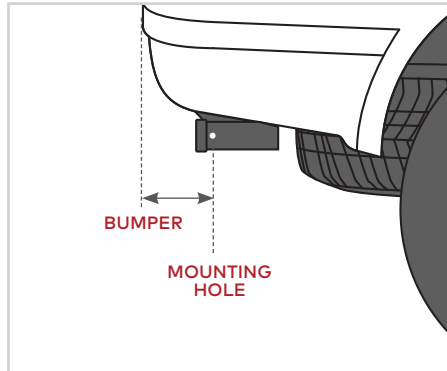
## FIT MEASUREMENT A

With a ruler inserted in the receiver, measure from the center of the hitch mounting hole to the point where you make contact with an obstacle.



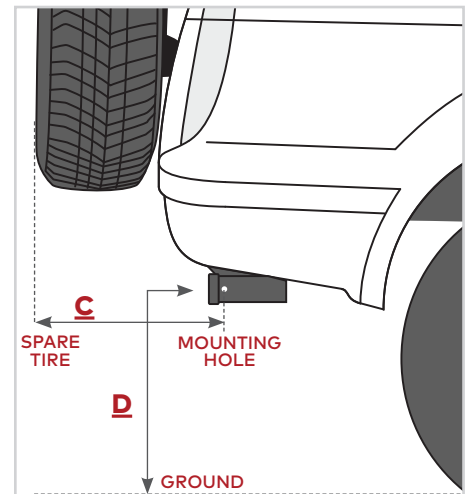
## FIT MEASUREMENT B

Make sure the bumper will not interfere with the Yakima hitch rack. Measure the distance from the center of the mounting hole on the hitch to the end of the bumper.



## FIT MEASUREMENT C

A trunk-mounted spare tire, it may interfere with the installation of the hitch rack. Measure the distance from the center of the mounting hole on the hitch receiver to the end of the spare tire.



## FIT MEASUREMENT D

Measurement is the distance from the receiver pinhole to the ground.

HITCH RACK	FIT MEASUREMENT				CLASS		
	A	B	C	D	1.25" (32 mm) with backstop	1.25" (32 mm) without backstop	2"
BackSwing	73 mm Min.	152 mm Max.	254 mm Max.				✓
DoubleDown	51 mm Min.	232 mm Max.	229 mm Max.		◆	✓	✓
Dr.Tray 2"	73 mm Min.	165 mm Max.	229 mm Max.				✓
FourTimer	76 mm Min.	340 mm Max.	368 mm Max.				✓
FullSwing	76 mm Min.	222 mm Max.	171 mm Max.				✓
FullTilt 4/5	35 mm Min.	241 mm Max.	248 mm Max.		◆	✓	✓
HangOver 4	76 mm Min.	203 mm Max.	330 mm Max.	254 mm Min.			✓
HangOver 6	76 mm Min.	203 mm Max.	330 mm Max.	305 mm Min.			✓
HoldUp 2"	73 mm Min.	229 mm Max.	248 mm Max.				✓
HoldUp EVO 2"	76 mm Min.	127 mm Max.	216 mm Max.				✓
LiteRider 3	70 mm Min.	229 mm Max.	229 mm Max.		◆	✓	✓
LongHaul	79 mm Min.	111 mm Max.	114 mm Max.				✓
SingleSpeed	41 mm Min.	197 mm Max.	305 mm Max.		◆	✓	✓
TwoTimer	48 mm Min.	318 mm Max.	318 mm Max.		◆	✓	✓