

CONTENTS • CONTENU • CONTENIDO

cap nuts (12X)
écrou borgne (x 12)
tuerca capuchón (12X)



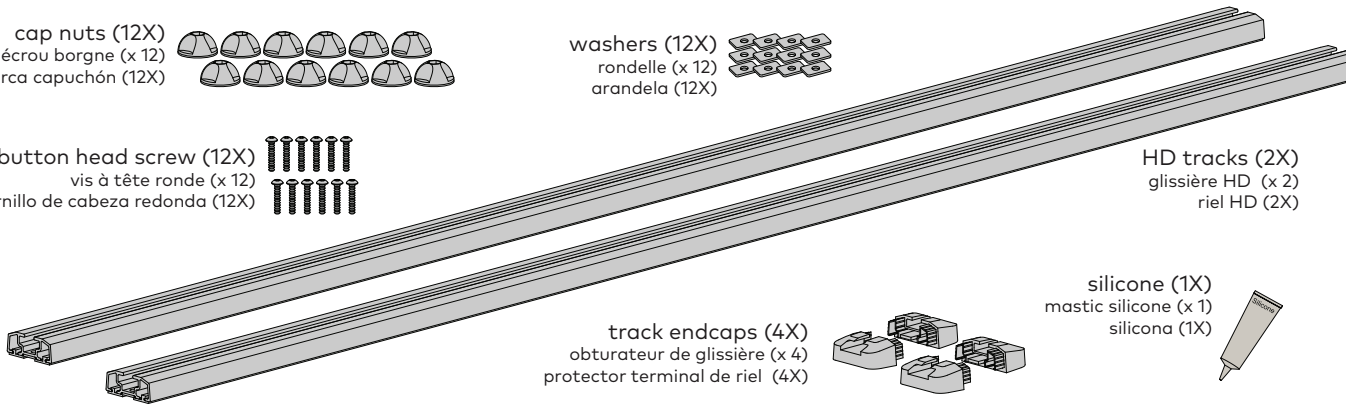
washers (12X)
rondelle (x 12)
arandela (12X)



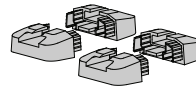
button head screw (12X)
vis à tête ronde (x 12)
tornillo de cabeza redonda (12X)



HD tracks (2X)
glissière HD (x 2)
riel HD (2X)



track endcaps (4X)
obturateur de glissière (x 4)
protector terminal de riel (4X)



silicone (1X)
mastic silicone (x 1)
silicona (1X)

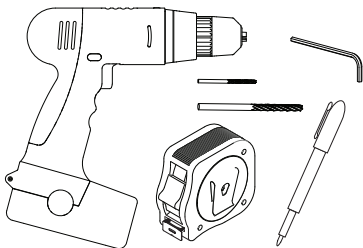


NOTE: Due to manufacturing variances, shell thickness can differ considerably. You may need to obtain longer stainless steel 10-32 screws from your local hardware store.

REMARQUE: selon le fabricant, l'épaisseur des surfaces de montage peut varier considérablement. Il faudra peut-être se procurer des vis en acier inoxydable 10-32 plus longues à la quincaillerie.

NOTE: Los límites totales de carga del sistema están determinados por la resistencia del techo o de la superficie de montaje. Para más detalles, póngase en contacto con el fabricante de casetas (o cúpulas), cubre cajas o remolques.

TOOLS REQUIRED • OUTILS NÉCESSAIRES • HERRAMIENTAS NECESARIAS



- power drill
- 1/8" (3 mm) drill bit
- 1/4" (6 mm) drill bit
- marking pen
- tape measure
- 1/8" (3 mm) Allen wrench

- perceuse électrique
- mèche de 3 mm (1/8 po)
- mèche de 6 mm (1/4 po)
- marqueur
- ruban à mesurer
- clé Allen de 3 mm (1/8 po)

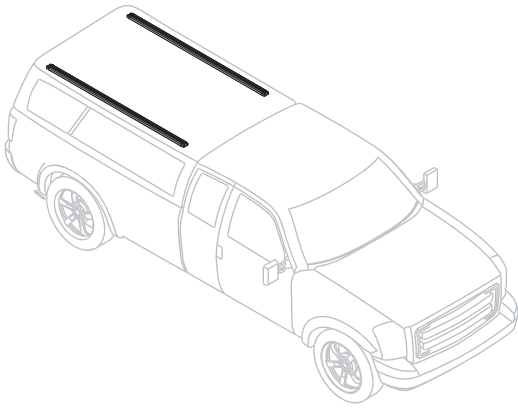
- taladro eléctrico
- mecha de 1/8 pulg.
- mecha de 1/4 pulg.
- lápiz de marcar
- cinta métrica
- llave Allen de 1/8 pulg.



Completed system load limits are determined by roof or mounting surface strength. Contact your shell, tonneau cover or trailer manufacture for details.

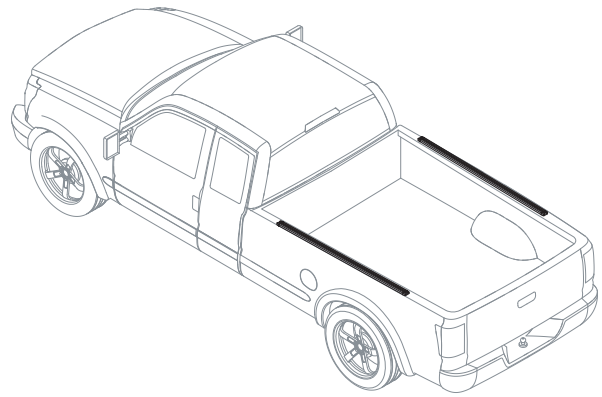
- Yakima HD Tracks are capable of handling 500lbs (226 kg) with Yakima OverHaul or OutPost systems or 110lbs (50 kg) per crossbar when paired with SkyLine Tower, HD Bars, and Landing Pad 26 up to 500lbs (226 kg).
- Some deflection may occur with any significant load.
- Off-highway driving may also cause deflection.

FOR INSTALLATION ON A FLAT SURFACE:



Proceed to step 1 below.

FOR INSTALLATION ON TRUCK BED RAILS:

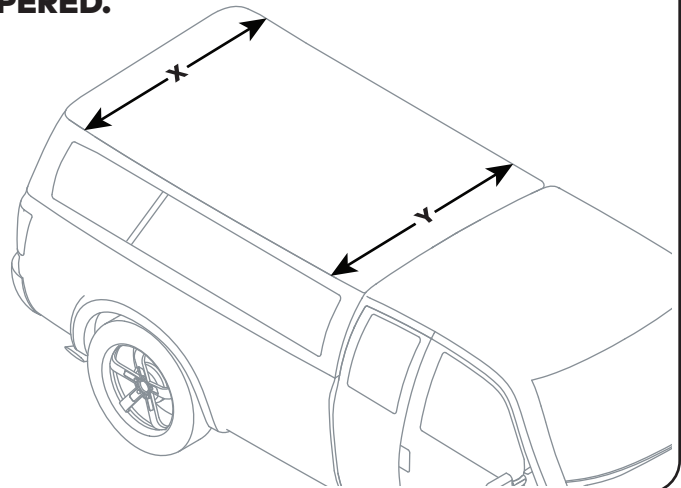


Proceed to page 6.

1 DETERMINE IF YOUR MOUNTING SURFACE IS TAPERED.

Measure the width at the front and rear of the surface you plan to install the tracks on to determine if the surface is tapered. If it is, you should mark and drill your first set of holes at the narrow end of the surface. This ensures that you will have room to make the tracks parallel in a subsequent step.

NOTE: Throughout this instruction installation is shown beginning with the rear of the vehicle, however, if your surface is tapered you must begin with the narrow end.

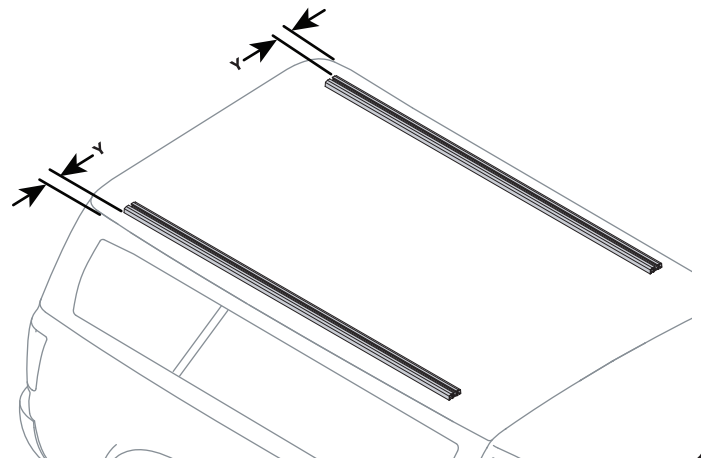
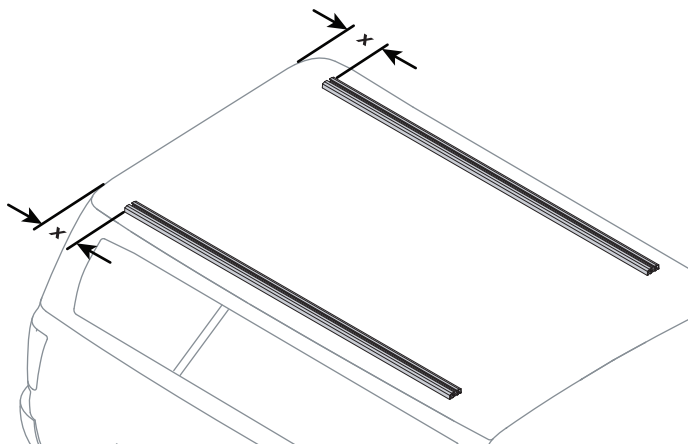


2 Thoroughly clean the roof of your shell or vehicle.

3 POSITION THE REAR OF THE TRACKS.

Set the HD tracks on your vehicle in the approximate location you will install them. Measure and position the track ends equally from the rear of the shell or vehicle as shown.

Next, measure and position the track ends equally from the side of the shell or vehicle as shown.



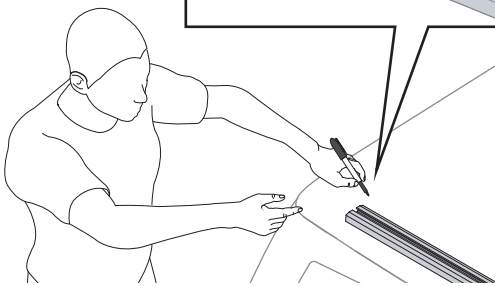
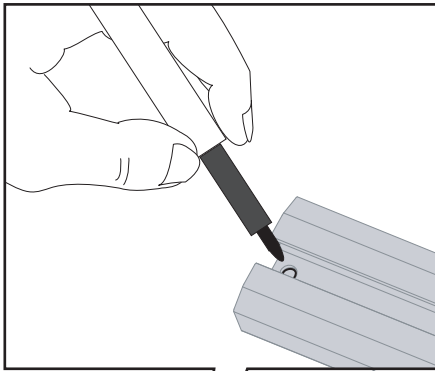


After positioning tracks, check the underside of the shell for any possible obstructions such as roll cages, sound bars, shell support ribs, or shell panel joints that may interfere with cap nut hardware at any of the hole locations. (Cap Nut dimensions are 1 1/4" (31.75 mm) diameter by 1/2" (12.7 mm) tall.) You may have to adjust your track position to avoid all obstructions.

Helpful Hint:

Two magnets (one on the topside, and one on the underside) can be helpful for pin pointing hole locations inside the shell. Use caution with magnets to avoid damaging the shell finish.

4 MARK THE REAR HOLES.



If your surface is tapered begin at the narrow end of the surface!

Use a marker to mark the location of the holes at the ends of the track closest to the rear of the vehicle or to the narrow end of the surface if the surface is tapered.

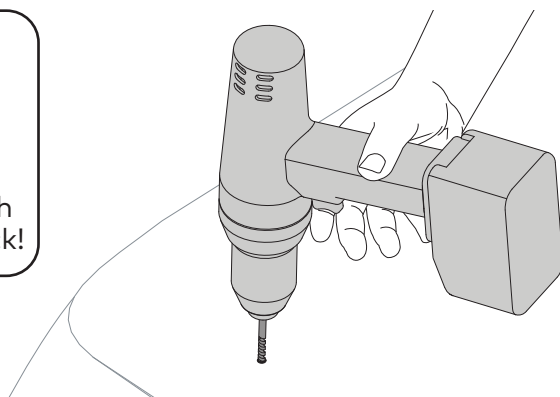
2X

5 DRILL THE REAR HOLES.

Move the tracks aside and drill a 1/8" (3 mm) pilot hole through the center of the marks you made in step 4. Then drill the holes to their final diameter of 1/4" (6 mm). **TIP:** A center punch can help you to locate your pilot hole more accurately.



Never punch or drill through the track!

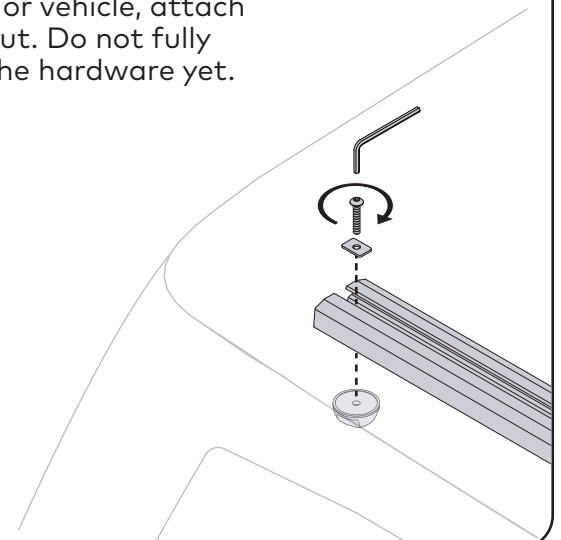


NOTE: Carefully clear away any debris to prevent scratching your vehicle.

2X

6 INSTALL 2 SCREWS AND 2 WASHERS.

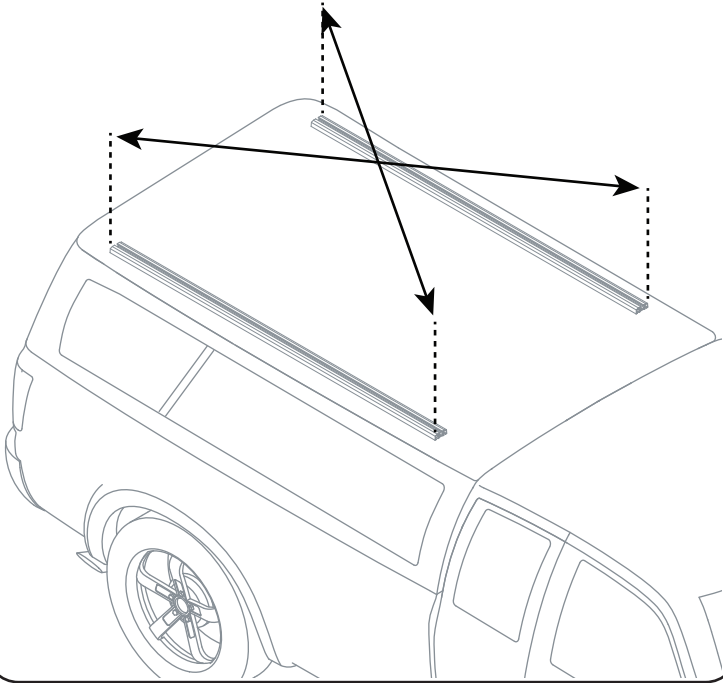
Install 1 screw with 1 washer through each track where you drilled the holes in step 5. Then from inside your shell or vehicle, attach a cap nut. Do not fully tighten the hardware yet.



2X

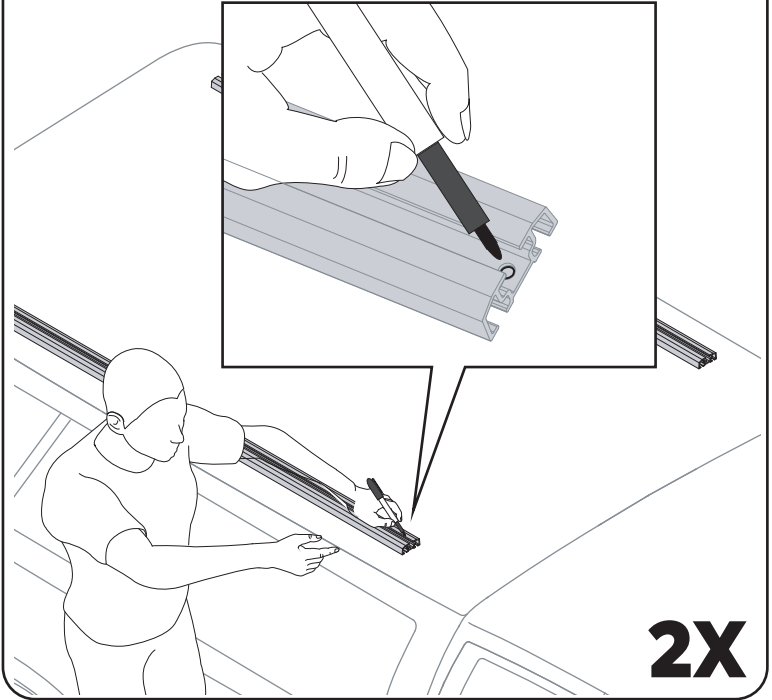
7 MAKE THE TRACKS PARALLEL.

Use a tape measure to measure diagonally from outside corner to outside corner of the tracks. Make sure both measurements are equal to ensure the tracks are positioned parallel to one another.



8 MARK THE FRONT HOLES.

Without moving the tracks from the parallel position you established in the previous step, use a marker to mark the forward-most holes.

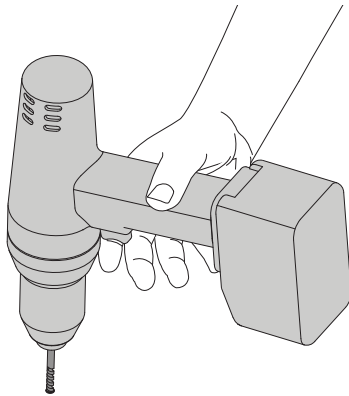


9 DRILL THE FRONT HOLES.

Pivot the tracks out of the way being careful not to scratch your vehicle and drill a $\frac{1}{8}$ " (3 mm) pilot hole through the center of the marks you made in step 8. Then drill the holes to their final diameter of $\frac{1}{4}$ " (6 mm). **TIP:** A center punch can help you to locate your pilot hole more accurately.



Never punch or drill through the track!

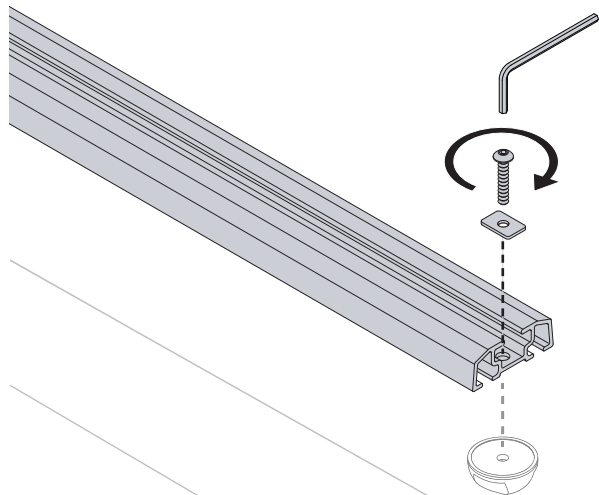


NOTE: Carefully clear away any debris to prevent scratching your vehicle.

2X

10 INSTALL 2 SCREWS AND 2 WASHERS.

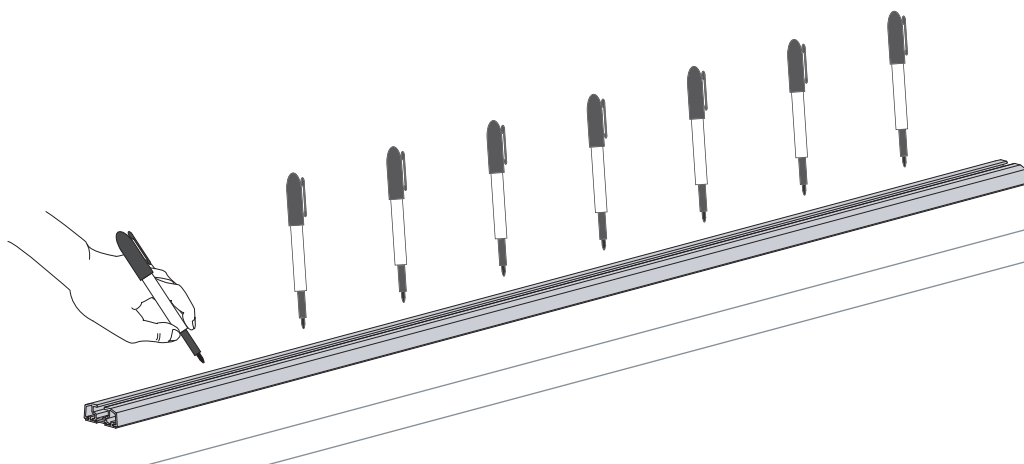
Pivot the track back into place and install 1 screw with 1 washer through each track where you drilled the holes in step 9. Then from inside your shell or vehicle, attach a cap nut. Do not fully tighten the hardware yet.



2X

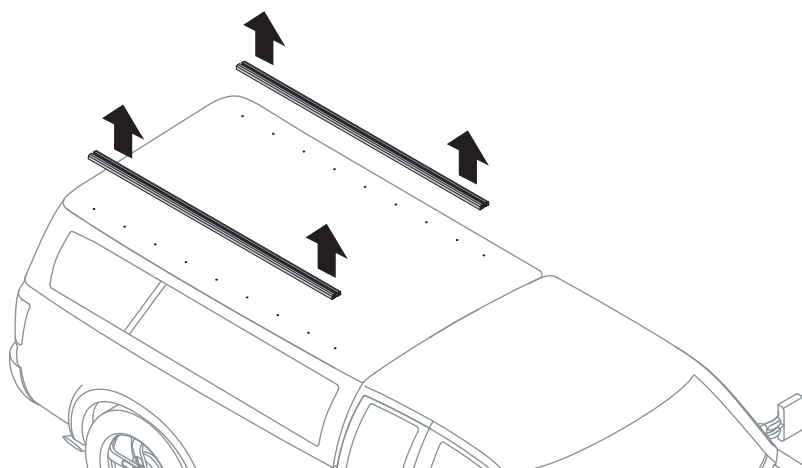
11 MARK THE REMAINING HOLES.

Use a marker to mark the remaining holes of both tracks. Plan to use every other hole if possible. **DO NOT SKIP MORE THAN 2 HOLES IN A ROW.**



12 REMOVE THE TRACKS.

Remove the hardware and then remove tracks. Set the tracks aside.



2X

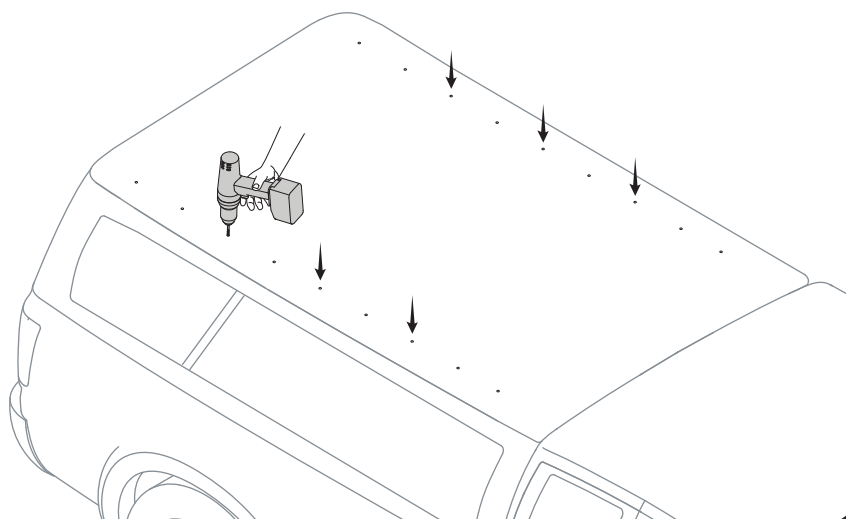
13 DRILL THE REMAINING HOLES.



Recheck the underside of the shell for any possible obstructions such as roll cages, sound bars, shell support ribs, or shell panel joints that may interfere with cap nut hardware at any of the hole locations. (Cap Nut dimensions are 1 ¼" (31.75 mm) diameter by ½" (12.7 mm) tall.) You may have to adjust your track position to avoid all obstructions.

For every other hole in the track drill a ⅛" (3 mm) pilot hole through the center of the marks you made in step 11. Then drill the holes to their final diameter of ¼" (6 mm). **DO NOT SKIP MORE THAN 2 HOLES IN A ROW. TIP:** A center punch can help you to locate your pilot hole more accurately.

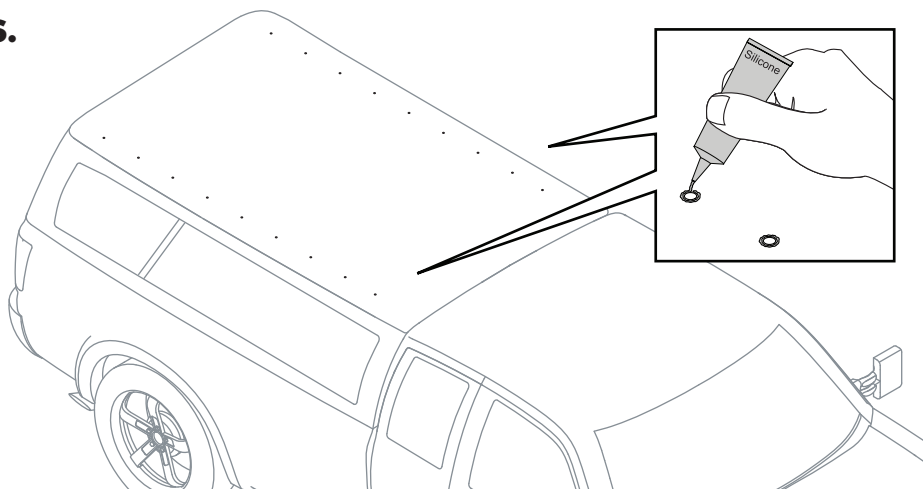
NOTE: Carefully clear away any debris to prevent scratching your vehicle.



14 APPLY SILICONE TO THE HOLES.

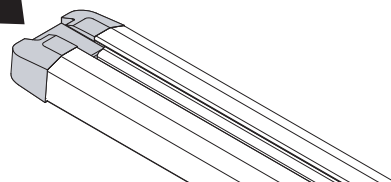
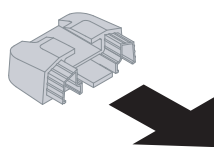
Apply a generous amount of silicone sealant around all of the holes you drilled.

WARNING: Direct contact of uncured sealant irritates eyes and may irritate skin. Over exposure to vapor may irritate eyes, nose and throat. Avoid eye and skin contact. Use with adequate ventilation.



15 INSTALL THE END CAPS.

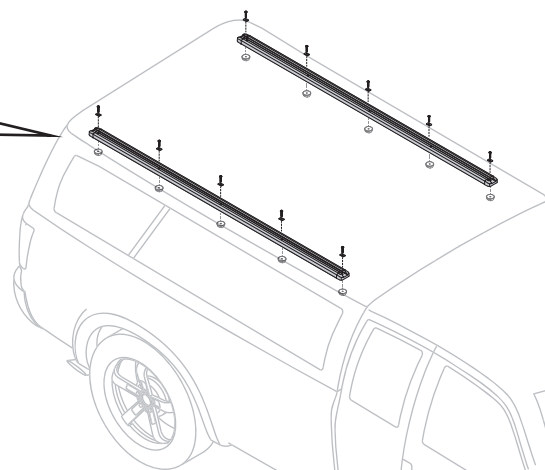
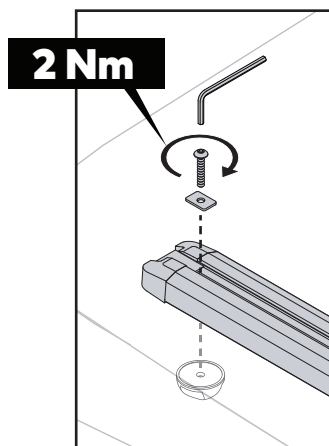
Press the end caps on to the ends of the tracks.



4X

16 INSTALL THE WASHERS AND SCREWS.

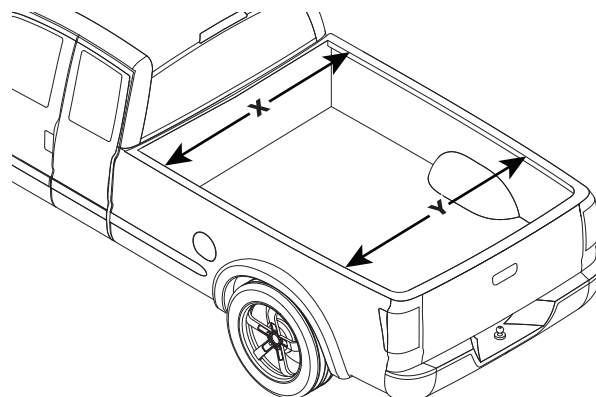
Position the tracks on the vehicle over the holes being careful not to smear the silicone. Install 1 screw with 1 washer through each track and into the holes. Then from inside your shell or vehicle, attach the cap nuts. Fully tighten the hardware to 2 Nm.



TRUCK BED RAIL INSTALLATION FOR OVERHAUL OR OUTPOST INSTALLATION

1 DETERMINE IF YOUR MOUNTING SURFACE IS TAPERED.

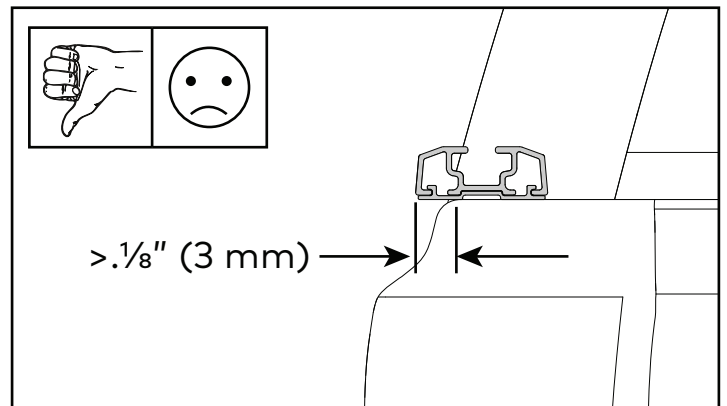
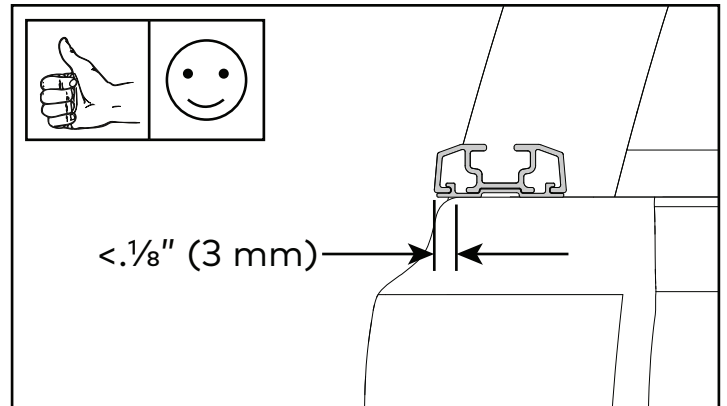
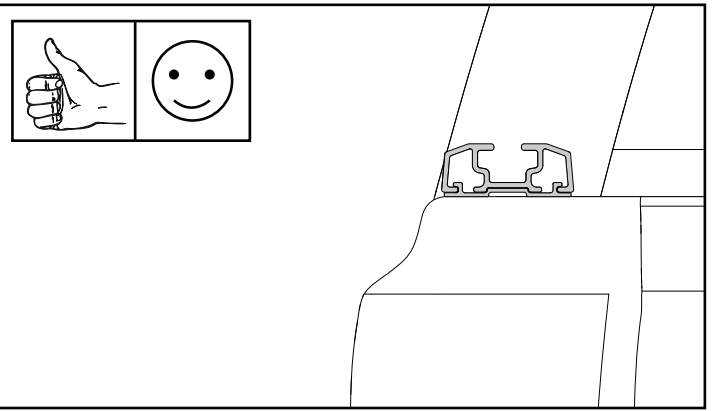
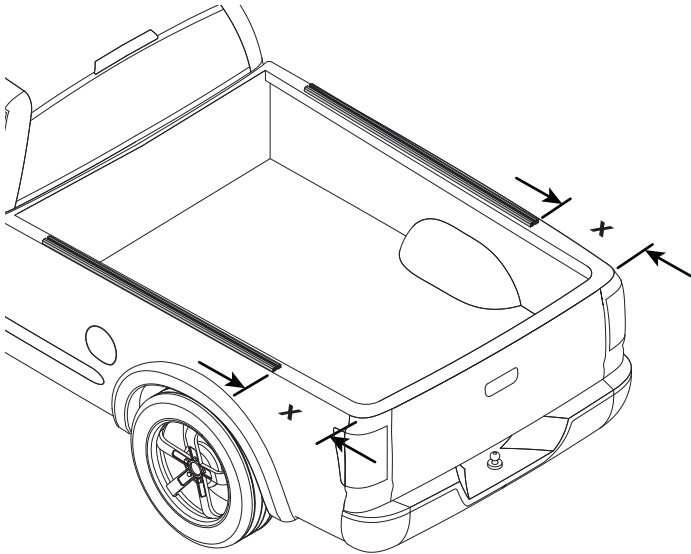
Measure the width at the front and rear of the truck rail to determine if the surface is tapered. If it is, you should mark and drill your first set of holes at the narrow end of the surface. This ensures that you will have room to make the tracks parallel in a subsequent step. **NOTE:** Throughout this instruction installation is shown beginning with the rear of the vehicle, however, if your surface is tapered you must begin with the narrow end.



2

POSITION THE REAR OF THE TRACKS

- Set the HD tracks on your bed rails in the approximate location you will install them. Measure and position the track ends equally from the rear of the tailgate as shown.
- Generally, the track should be supported by the rail. However, if your rail is too narrow a $1/8"$ (3 mm) outboard overhang is permissible. Any overhang larger than $1/8"$ (3 mm) is not permitted.

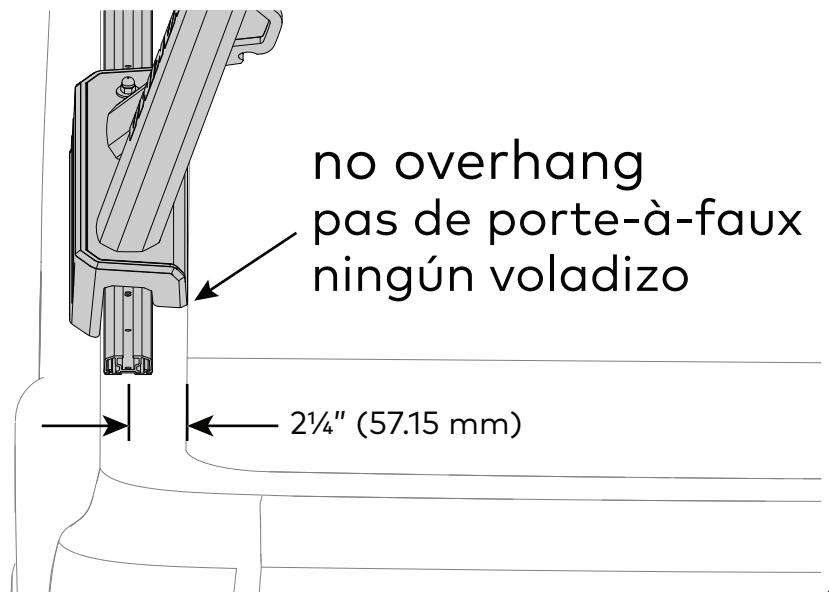


After positioning tracks, check the underside of the rails for any possible obstructions such as tabs, supports, or any other obstructions that may interfere with cap nut hardware at any of the hole locations. (Cap nut dimensions are $1\frac{1}{4}"$ (31.75 mm) diameter by $\frac{1}{2}"$ (12.7 mm) tall.) You may have to adjust your track position to avoid all obstructions.

Yakima Bed Track Kit™ 2

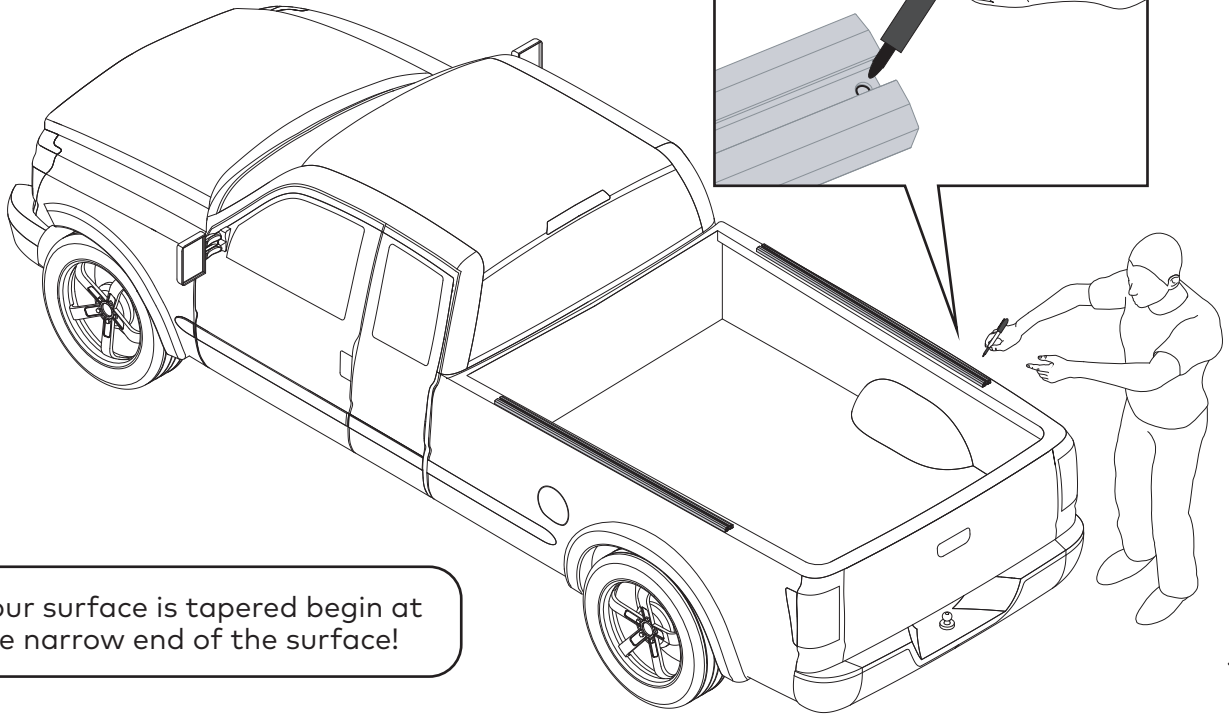
If you intend to use this Yakima Bed Track Kit 2 on your HD track the minimum allowable distance is $2.25"$ (57.15 mm) from the inside of the bedrail to the center of the track as shown.


The tower of the Yakima Bed Track Kit 2 must not overhang the bedrail. Adjust the track position as necessary to avoid an overhang.



3 MARK THE REAR HOLES.

Use a marker to mark the location of the holes at the ends of the track closest to the rear of the vehicle or to the narrow end of the surface if the surface is tapered.

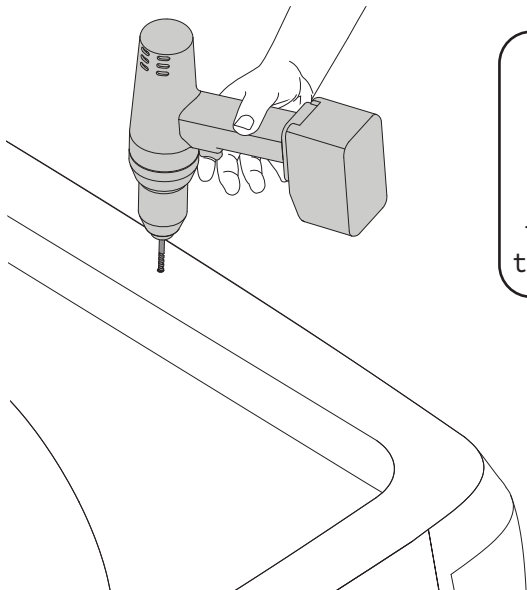


 If your surface is tapered begin at the narrow end of the surface!

2X

4 DRILL THE REAR HOLES.

Move the tracks aside and drill an $\frac{1}{8}$ " (3 mm) pilot hole through the center of the marks you made in step 3. Then drill the holes to their final diameter of $\frac{1}{4}$ " (6 mm). **TIP:** A center punch can help you to locate your pilot hole more accurately.



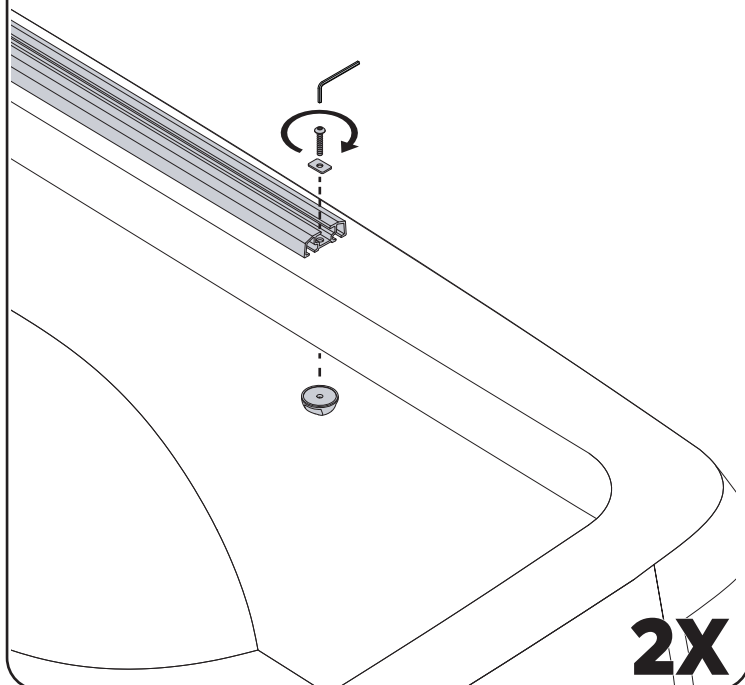
 Never punch or drill through the track!

NOTE: Carefully clear away any debris to prevent scratching your vehicle.

2X

5 INSTALL 2 SCREWS AND 2 WASHERS.

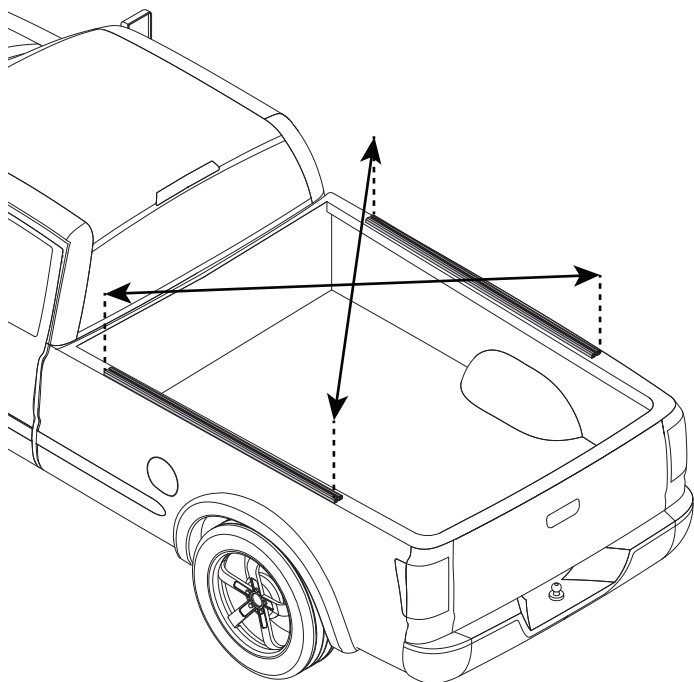
Install 1 screw with 1 washer through each track where you drilled the holes in step 4. Then attach a cap nut. Do not fully tighten the hardware yet.



2X

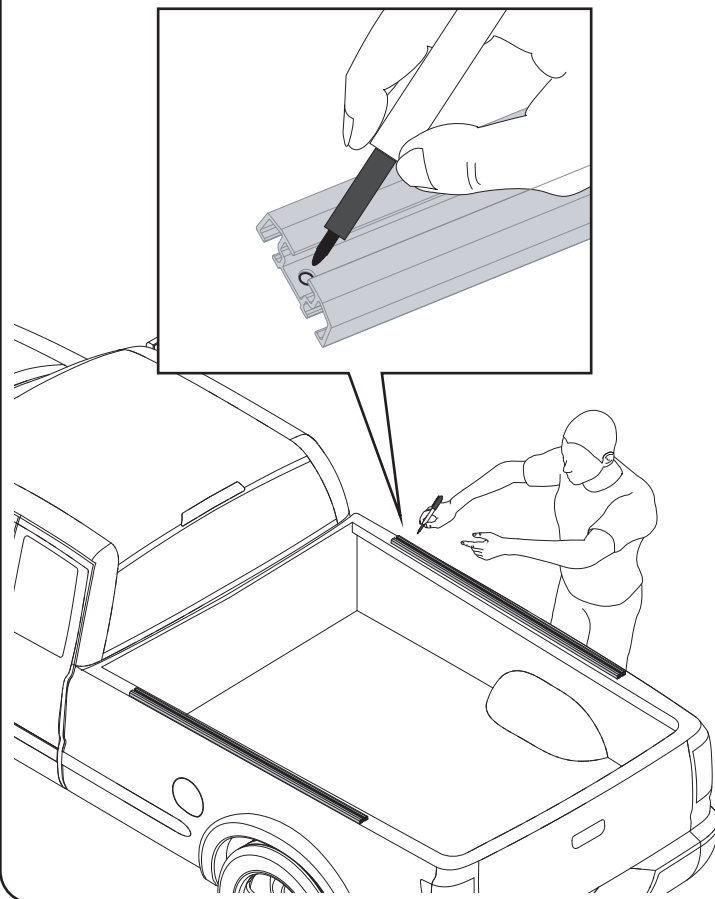
6 MAKE THE TRACKS PARALLEL.

Use a tape measure to measure diagonally from outside corner to outside corner of the tracks. Make sure both measurements are equal to ensure the tracks are positioned parallel to one another.



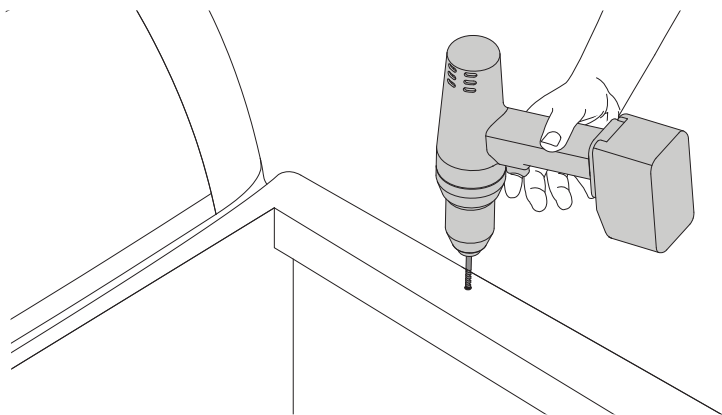
7 MARK THE FRONT HOLES.

Without moving the tracks from the parallel position you established in the previous step, use a marker to mark the forward-most holes.



8 DRILL THE FRONT HOLES.

Pivot the tracks out of the way being careful not to scratch your vehicle and drill a $\frac{1}{8}$ " (3 mm) pilot hole through the center of the marks you made in step 7. Then drill the holes to their final diameter of $\frac{1}{4}$ " (6 mm). **TIP:** A center punch can help you to locate your pilot hole more accurately.



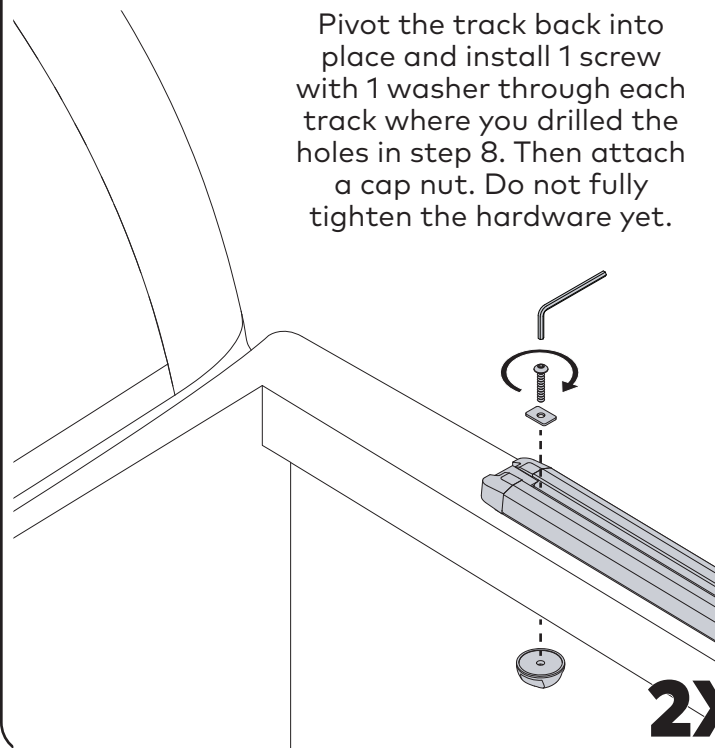
Never punch or drill through the track!

NOTE: Carefully clear away any debris to prevent scratching your vehicle.

2X

9 INSTALL 2 SCREWS AND 2 WASHERS.

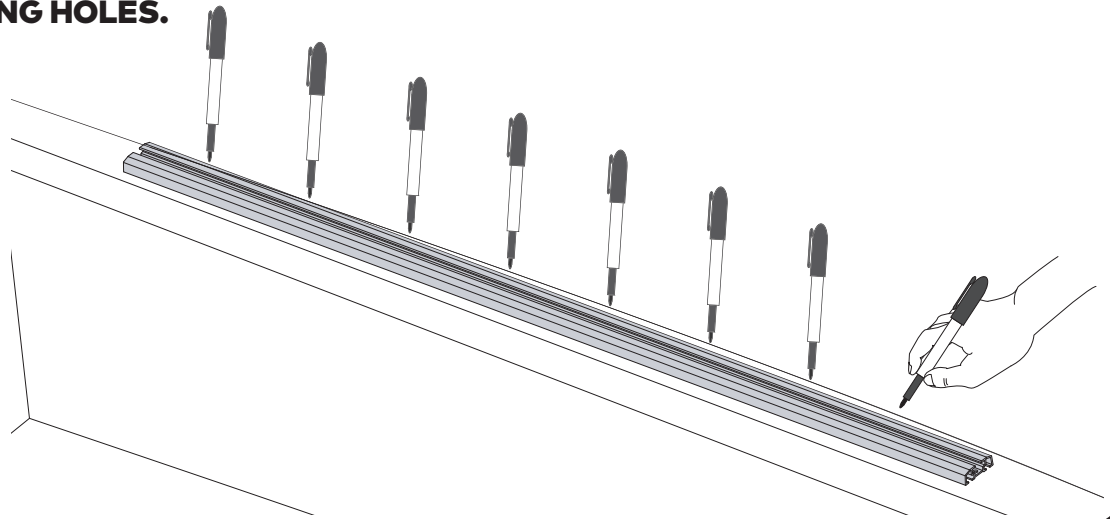
Pivot the track back into place and install 1 screw with 1 washer through each track where you drilled the holes in step 8. Then attach a cap nut. Do not fully tighten the hardware yet.



2X

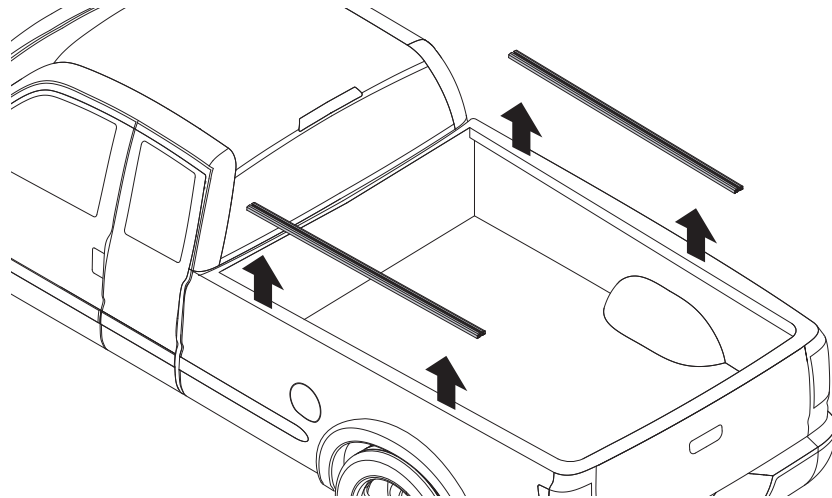
10 MARK THE REMAINING HOLES.

Use a marker to mark the remaining holes of both tracks. Plan to use every other hole if possible. **DO NOT SKIP MORE THAN 2 HOLES IN A ROW.**



11 REMOVE THE TRACKS.

Remove the hardware and then remove tracks. Set the tracks and hardware aside.



2X

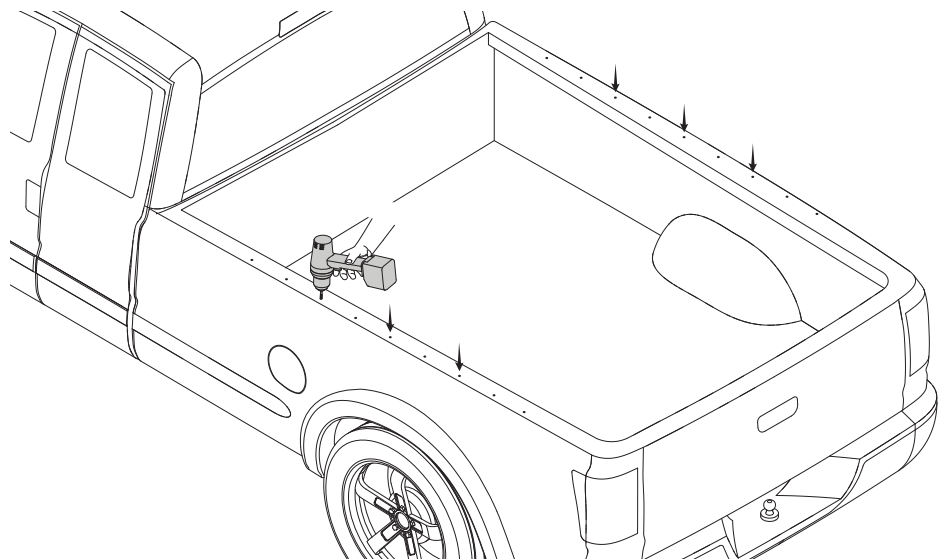
12 DRILL THE REMAINING HOLES.



Recheck the underside of the shell for any possible obstructions such as tabs, supports, or any other obstructions that may interfere with cap nut hardware at any of the hole locations. (Cap Nut dimensions are 1 1/4" (31.75 mm) diameter by 1/2" (12.7 mm) tall.) You may have to adjust your track position to avoid all obstructions.

For every other hole in the track drill a 1/8" (3 mm) pilot hole through the center of the marks you made in step 10. Then drill the holes to their final diameter of 1/4" (6 mm). **DO NOT SKIP MORE THAN 2 HOLES IN A ROW.** **TIP:** A center punch can help you to locate your pilot hole more accurately.

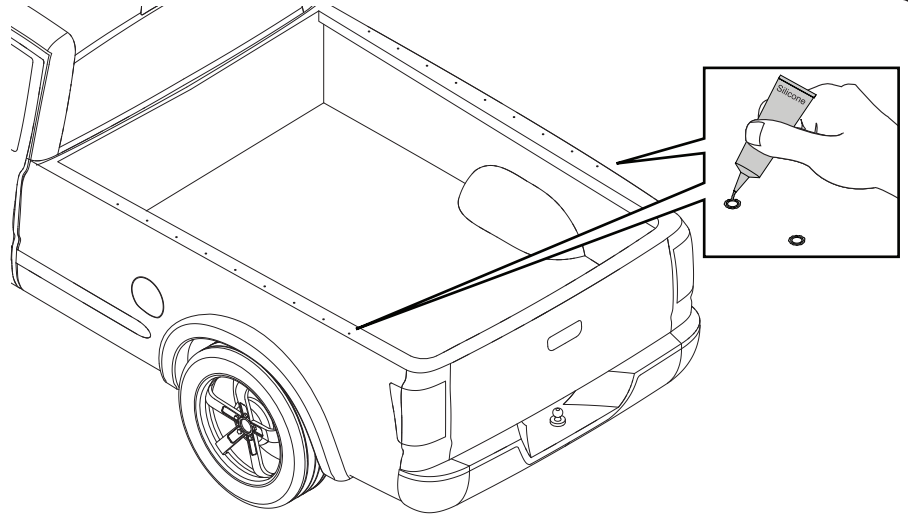
NOTE: Carefully clear away any debris to prevent scratching your vehicle.



13 APPLY SILICONE TO THE HOLES.

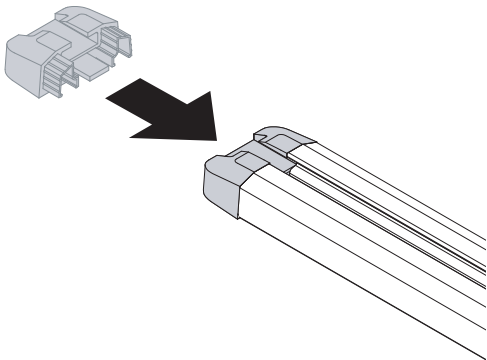
Apply a generous amount of silicone sealant around all of the holes you drilled.

WARNING: Direct contact of uncured sealant irritates eyes and may irritate skin. Over exposure to vapor may irritate eyes, nose and throat. Avoid eye and skin contact. Use with adequate ventilation.



14 INSTALL THE END CAPS.

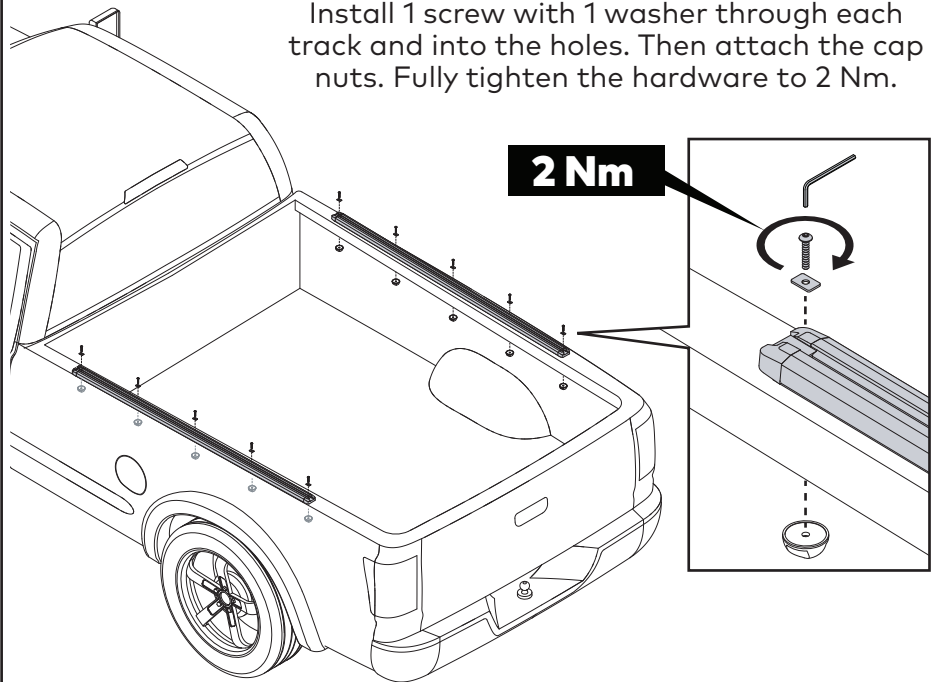
Press the end caps on to the ends of the tracks.



4X

15 INSTALL THE WASHERS AND SCREWS.

Position the tracks on the vehicle over the holes being careful not to smear the silicone. Install 1 screw with 1 washer through each track and into the holes. Then attach the cap nuts. Fully tighten the hardware to 2 Nm.



IF YOU INSTALLED YAKIMA BED TRACK KIT™ 2 ON YOUR RAILS:

If you installed the Yakima Bed Track Kit 2 on your rails, the rubber skirt can be trimmed to fit the contour of your truck.



Remove the pads before trimming. Use a pair of scissors to cut along the appropriate cut line on the pad.

cut line
ligne de découpe
línea de corte

4X

FRANÇAIS



Les limites de charge de l'ensemble terminé dépendent de la résistance du toit ou de la surface de montage. Contacter le fabricant du capot de caisse, du couvercle ou de la remorque pour plus de détails.

- Les glissières Yakima HD peuvent supporter 227 kg (500 lb) avec les ensembles OverHaul ou OutPost, ou 50 kg (110 lb) par barre transversale quand elles sont montées avec des pieds SkyLine, des barres HD et des Landing Pad 26 jusqu'à 227 kg (500 lb).
- Toute charge lourde risque de provoquer des déformations.
- La conduite hors-route peut aussi provoquer des déformations.

MONTAGE SUR UNE SURFACE PLATE :

Passer à l'opération 1 ci-dessous.

MONTAGE SUR LES REBORDS D'UNE CAMIONNETTE :

Passer à la page 6.

1 DÉTERMINER SI LES BORDS DE LA SURFACE DE MONTAGE SONT PARALLÈLES.

Mesurer la largeur de l'avant et de l'arrière de la surface sur laquelle on compte installer les glissières pour déterminer si les bords sont parallèles. Si ce n'est pas le cas, il faudra marquer et percer les premiers trous à l'extrémité étroite de la surface. On aura ainsi assez de place pour rendre les glissières parallèles plus tard dans l'installation.

REMARQUE : dans les présentes instructions, on montre l'installation en commençant par l'arrière du véhicule. Cependant, si les bords ne sont pas parallèles, il faudra commencer par le bout le plus étroit.

2 Bien nettoyer le toit du capot de caisse ou du véhicule.

3 POSITIONNER L'ARRIÈRE DES GLISSIÈRES.

Déposer les glissières HD sur le véhicule aux endroits approximatifs où l'on compte les installer. En mesurant, positionner le bout des glissières à la même distance de l'arrière du capot de caisse ou du véhicule tel qu'illustré.

Ensuite, en mesurant, positionner le bout des glissières à la même distance du côté du capot de caisse ou du véhicule tel qu'illustré.



Une fois les glissières positionnées, vérifier sur la face intérieure du capot si des obstructions (comme une barre de retournement, des haut-parleurs, des renforts de capot ou des joints entre des panneaux) pourraient gêner la pose des écrous borgnes aux endroits où l'on compte percer les trous. Les écrous borgnes mesurent 32 mm de diamètre x 12 mm de hauteur (1 ¼ po de diamètre x ½ po de hauteur). Il faudra peut-être corriger la position des glissières pour éviter ces obstructions.

Conseil utile : pour repérer précisément l'emplacement des trous à l'intérieur, on peut se servir de deux aimants, l'un à l'extérieur, l'autre à l'intérieur du capot. Attention cependant que les aimants n'endommagent pas le fini.

4 MARQUER LES TROUS ARRIÈRE.



Si les rebords de la surface ne sont pas parallèles, commencer par le bout étroit de la surface !

À l'aide d'un feutre, marquer la position du dernier trou de chaque glissière à l'arrière du véhicule, ou à l'extrémité étroite de la surface si ses rebords ne sont pas parallèles.

5 PERCER LES TROUS ARRIÈRE.

Mettre les glissières de côté et percer un avant-trou de 3 mm (1/8 po) au centre des marques faites à l'opération 4. Puis agrandir les trous à leur diamètre final de 6 mm (1/4 po). **CONSEIL :** l'utilisation d'un pointeau pourra aider à démarrer l'avant-trou avec plus de précision.



Ne jamais utiliser le pointeau ou la perceuse à travers la glissière !

REMARQUE : nettoyer les résidus avec soin afin d'éviter d'égratigner le véhicule.

ESPAÑOL



Los límites totales de carga del sistema están determinados por la resistencia del techo o de la superficie de montaje. Para más detalles, póngase en contacto con el fabricante de casetas (o cúpulas), cubre cajas o remolques.

- Los rieles HD de Yakima pueden soportar 500 libras con los sistemas OverHaul u OutPost de Yakima, o 110 libras por barra transversal cuando se combinan con las torres SkyLine, barras HD y soportes Landing Pad 26 hasta 500 libras.
- Toda carga importante puede producir una cierta deflexión.
- Conducir fuera de la carretera también puede provocar deflexiones.

PARA INSTALAR SOBRE SUPERFICIES PLANAS:

Vaya al paso 1 siguiente.

PARA INSTALAR SOBRE LAS BARANDAS DE LA CAJA DE UNA CAMIONETA:

Vaya a la página 6.

1 DETERMINE SI LOS BORDES DE LA SUPERFICIE DE MONTAJE SON PARALELOS.

Mida el ancho de la parte delantera y trasera de la superficie sobre la que piensa instalar los rieles para determinar si los bordes de la misma son paralelos. Si no lo son, deberá marcar y taladrar el primer juego de orificios en el extremo más estrecho de la superficie. De este modo, contará con espacio para colocar los rieles paralelos en un paso posterior.

NOTA: A lo largo de esta instrucción se muestra la instalación comenzando por la parte trasera del vehículo. Sin embargo, si en su caso los bordes de la superficie no son paralelos, deberá comenzar por el extremo más estrecho.

2 Limpie a fondo el techo de la caseta o del vehículo.

3 POSICIONE LA PARTE TRASERA DE LOS RIELES.

Coloque los rieles HD sobre el vehículo en el lugar aproximado en que los instalará. Mida y coloque los extremos de los rieles a igual distancia desde la parte trasera del techo de la caseta o del vehículo, como se muestra.

Luego, mida y coloque los extremos de los rieles a igual distancia de cada borde lateral del techo de la caseta o del vehículo, como se ilustra.



Una vez que posicionó los rieles, revise la parte inferior de la superficie para identificar toda posible obstrucción, como jaulas antivuelco, cajas de sonido, nervaduras de soporte o juntas de paneles, que pudieran interferir durante la instalación de las tuercas capuchón en alguno de los orificios (las medidas de la tuerca capuchón son 1¼" de diámetro por ½" de altura). Es posible que tenga que ajustar la posición de los rieles para evitar las potenciales obstrucciones.

Sugerencia útil: Es posible utilizar dos imanes (uno en la cara superior y otro en la inferior) para identificar las ubicaciones de los orificios al interior de la superficie de montaje. Utilice los imanes con cuidado para no dañar el acabado de dicha superficie.

4 MARQUE LOS ORIFICIOS TRASEROS.



Si los bordes de la superficie no son paralelos, comience por el extremo más estrecho de la misma!

Utilice un marcador para establecer la ubicación de los orificios en los extremos de los rieles más cercanos a la parte trasera del vehículo, o en el extremo más estrecho de la superficie, si los bordes de ésta no son paralelos.

5 TALADRE LOS ORIFICIOS TRASEROS.

Aparte los rieles y perfore un orificio testigo de ⅛" en el centro de las marcas que hizo en el paso 4. Luego, perfore los orificios finales con una mecha de ¼". **CONSEJO:** Un punzón de centrado puede ayudarle a localizar el agujero testigo con mayor precisión.



¡Nunca marque o perfore a través del riel!

NOTA: Elimine con cuidado todo resto de material para evitar que el vehículo se raye.