

**MAXIMUM PRODUCT LOAD RATING: 150 kg** 

**IMPORTANT:**

- **LOAD = WEIGHT OF PLATFORM or BARS + MOUNTING SYSTEM + ACCESSORIES + CARGO**
- **PLEASE REFER TO VEHICLE MANUFACTURER SPECIFICATIONS FOR MAX ROOF LOAD CAPACITY OF VEHICLE. THE LOWEST LOAD RATING APPLIES.**
- **OFFROAD RATING: SCAN QR CODE FOR LOCKNLOAD LOAD RATING GUIDE. REDUCTIONS MAY APPLY.**



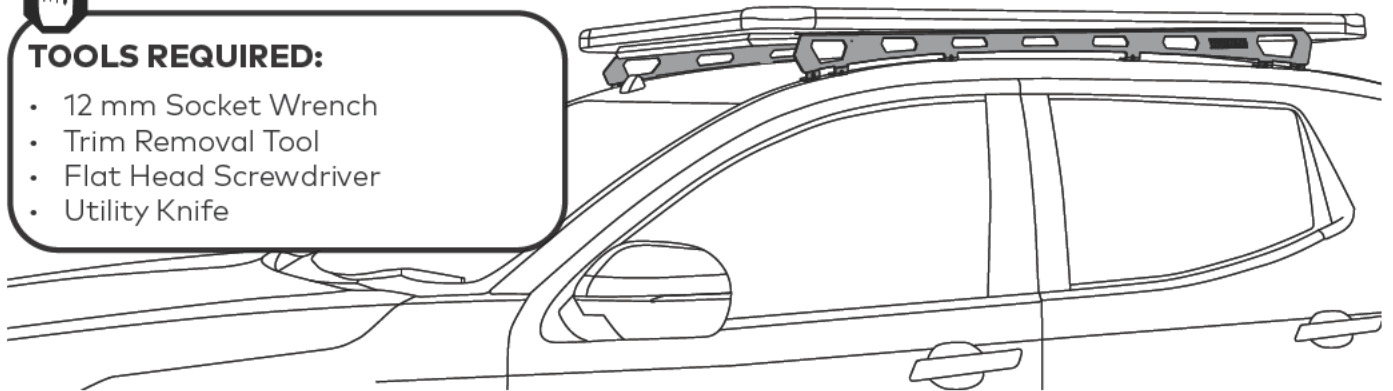
## FIRST TIME INSTALLATION

- Please read instructions carefully before installation.
- Check the contents of kit. Each LockNLoad RuggedLine has the last four digits of the kit's part number lasered in. Contact your YAKIMA dealer if any parts appear missing, incorrect or damaged.
- Clean your roof thoroughly prior to fitting the LockNLoad RuggedLine.
- Place these instructions in the vehicle's glove box after installation is complete.



**TOOLS REQUIRED:**

- 12 mm Socket Wrench
- Trim Removal Tool
- Flat Head Screwdriver
- Utility Knife

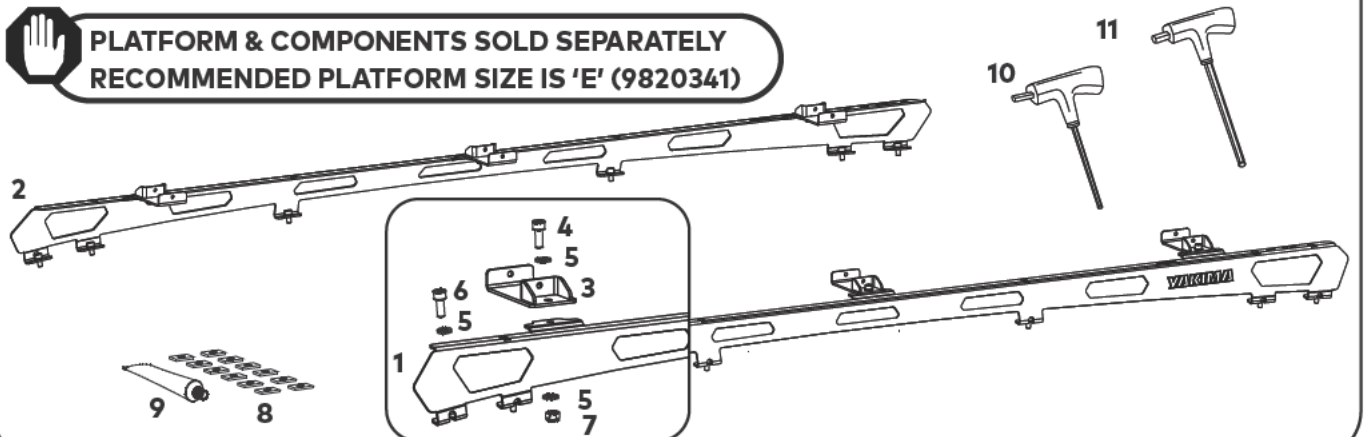


## KIT CONTENTS

ITEM	COMPONENT	QTY	ITEM	COMPONENT	QTY
1.	MU-X 13-20 RuggedLine LH 2153	x1	6.	M8 x 16 mm Socket Head Cap Screw	x12
2.	MU-X 13-20 RuggedLine RH 2153	x1	7.	M8 Nyloc Nut	x6
3.	Pivot Bracket	x6	8.	Foam Adhesive	x12
4.	M8 x 20 mm Socket Head Cap Screw	x6	9.	Silicone Sealant	x1
5.	M8 Washer	x24	10.	4 mm T-Handle Ball End Allen Key	x1
			11.	6 mm T-Handle Ball End Allen Key	x1



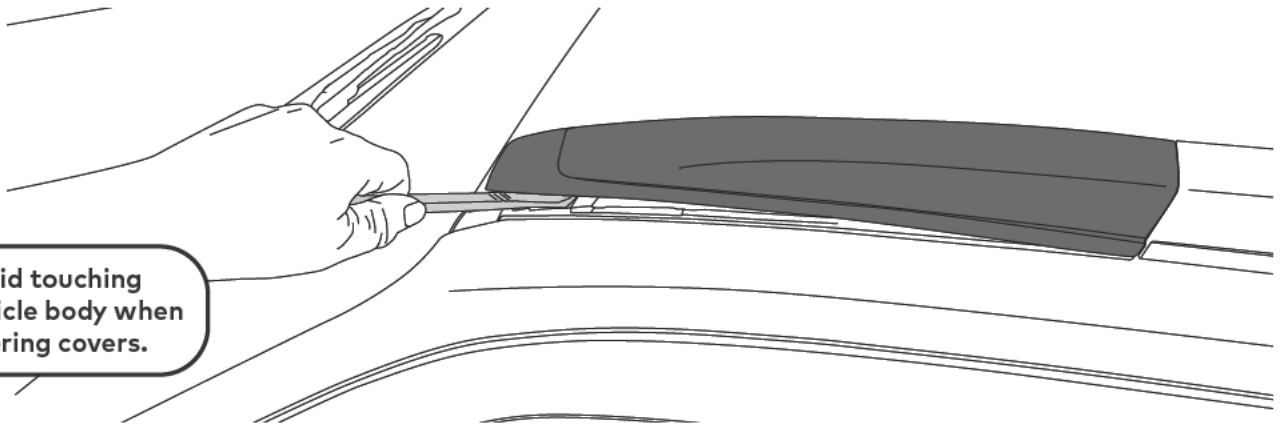
**PLATFORM & COMPONENTS SOLD SEPARATELY  
RECOMMENDED PLATFORM SIZE IS 'E' (9820341)**



## REMOVING FACTORY FLUSH ROOF RAILS - MU-X

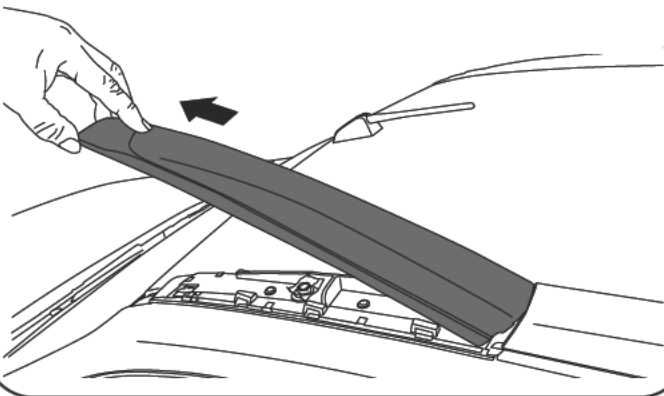
### 1a UNCLIP PLASTIC RAIL COVERS.

Using an appropriate trim removal tool, wedge the front of the rail covers upwards to release the internal clips.



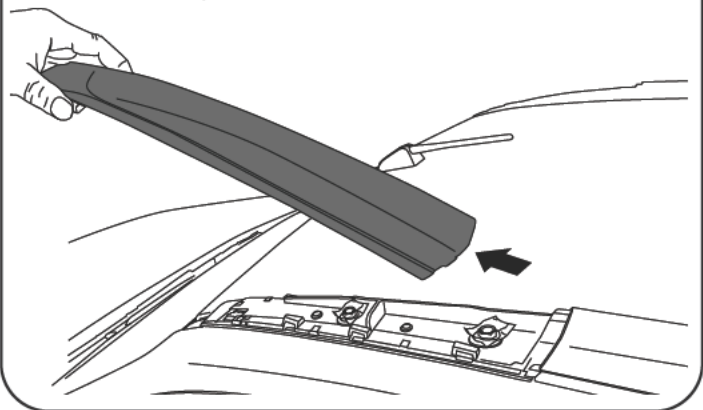
### 1b UNCLIP PLASTIC RAIL COVERS.

Lift the front of the rail covers up until the back clips disengage.



### 2 REMOVE PLASTIC RAIL COVERS.

Lift the detached covers away from the rail.



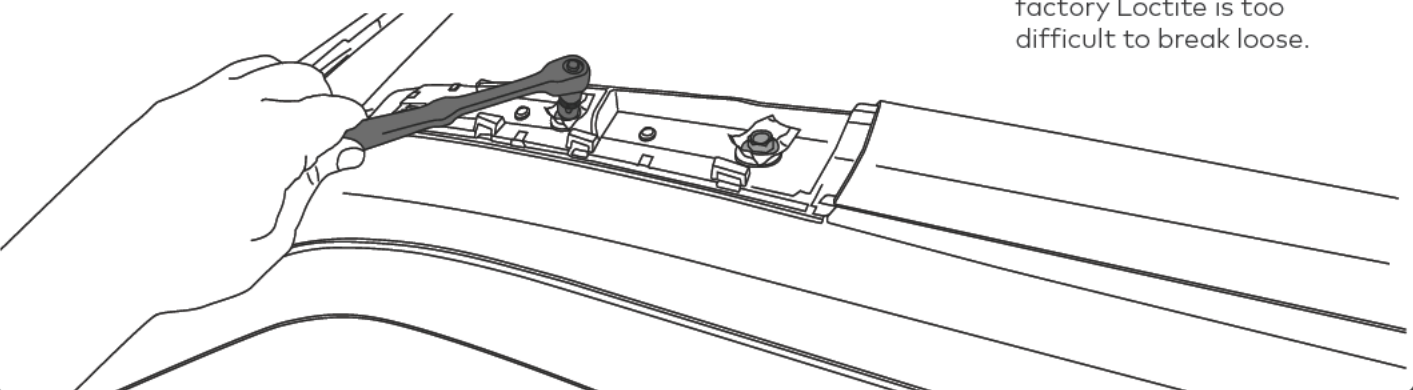
### 3 REMOVE COVER HARDWARE.

Remove exposed hardware (x2 bolts at each rail end) using a 12 mm socket wrench or breaker bar.

Complete steps 1a-3 for front and rear covers and repeat on opposite side of vehicle.

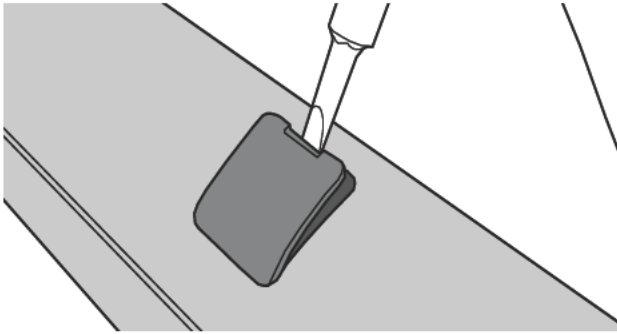
Store removed hardware away in a safe place.

**NOTE** - A rattle gun may be required if the factory Loctite is too difficult to break loose.

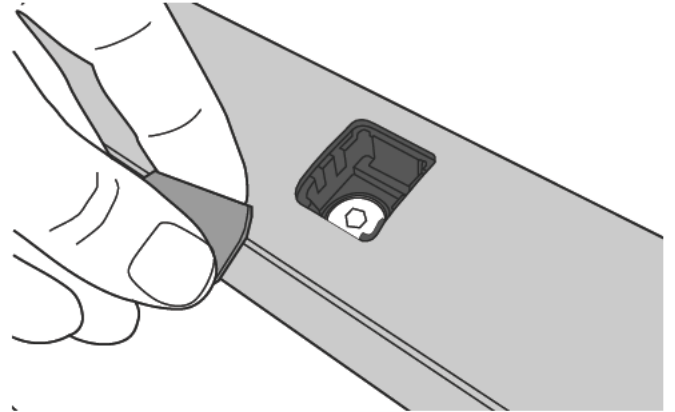


**4a****UNDO BOLT COVERS WITH SCREWDRIVERS.**

Pop open the bolt cover hatch using the flat head screwdriver.

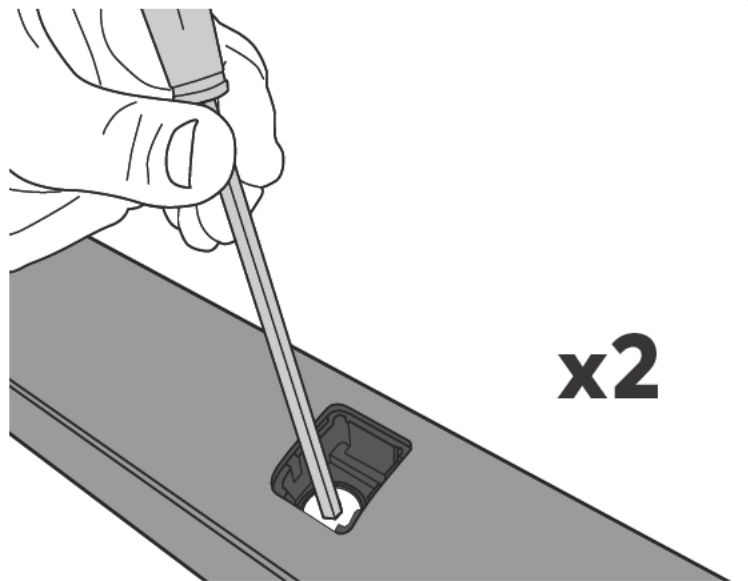
**4b****REMOVE BOLT COVERS.**

Lift away cover.

**5****REMOVE BOLT.**

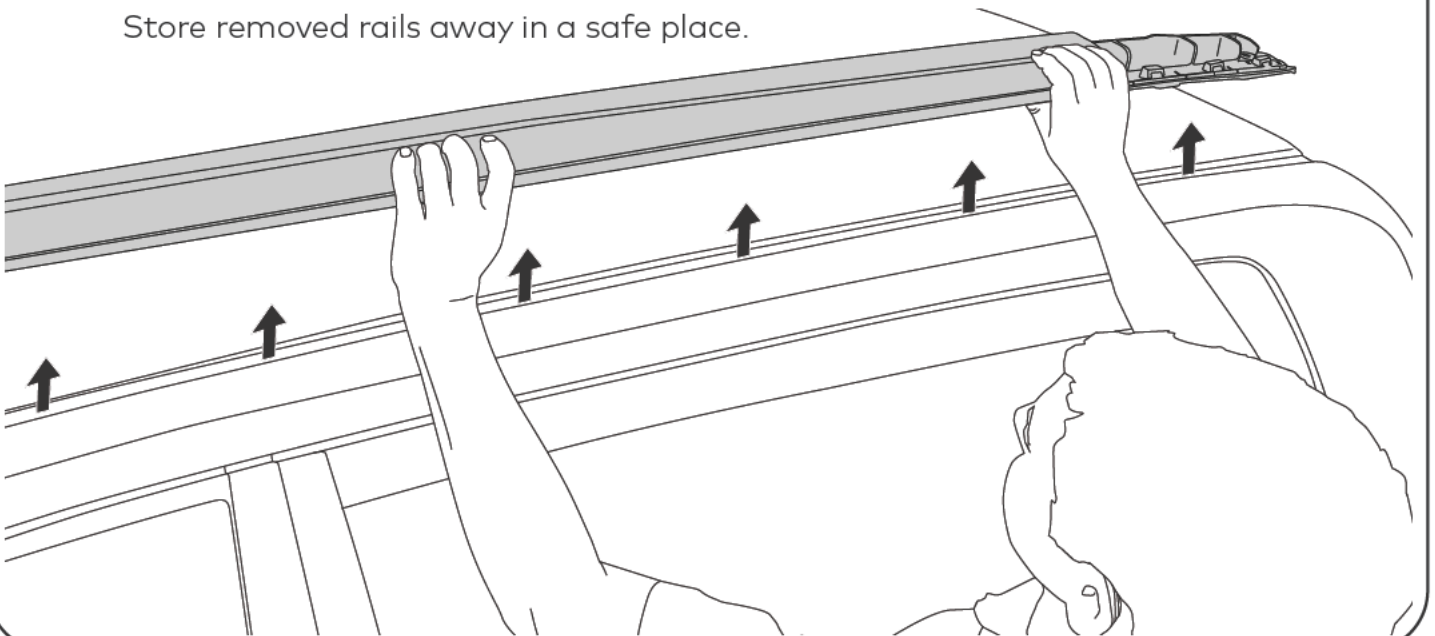
Remove both centre socket HD caps with 6 mm bit.

Repeat for both sides.

**6****REMOVE RAILS.**

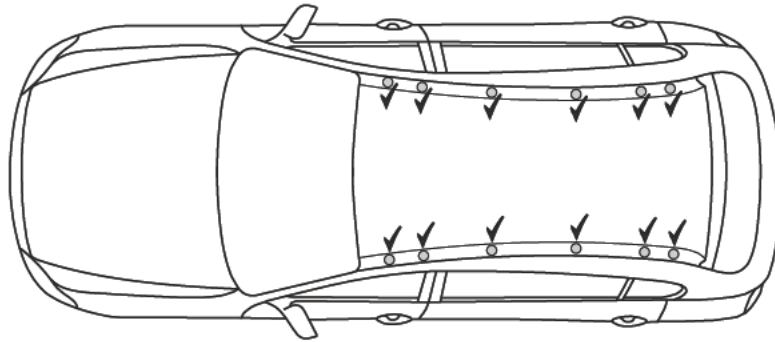
Lift roof rails upwards and carefully remove from the roof.

Store removed rails away in a safe place.



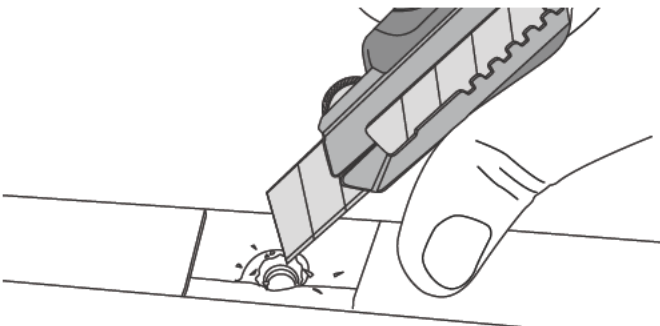
## MOUNTING RUGGEDLINE

### FOR STEPS 1 - 7



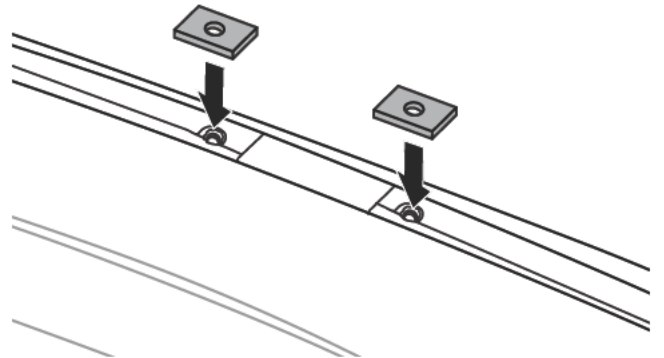
### 1 SCRAPE AWAY SEALS.

Using a utility knife, carefully scrape away the paint seals to expose mounting holes.



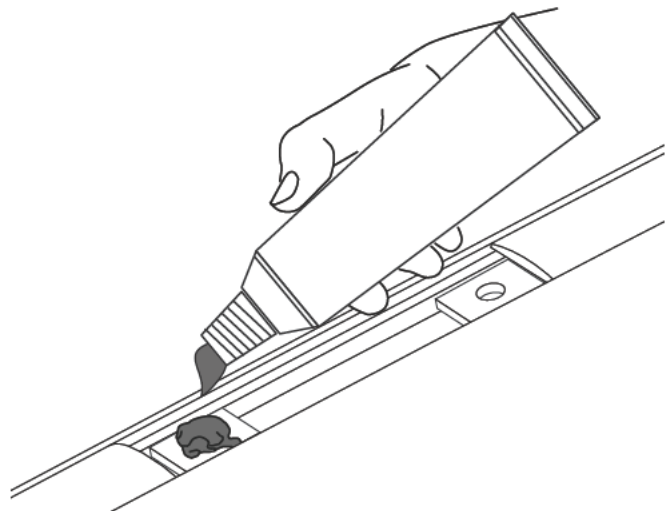
### 2 AFFIX FOAM ADHESIVE.

Carefully apply foam adhesive over all the exposed holes in the roof channel, lining up the holes in the foam with the holes in roof channel. Apply with adhesive side to vehicle.



### 3 APPLY SILICONE SEALANT.

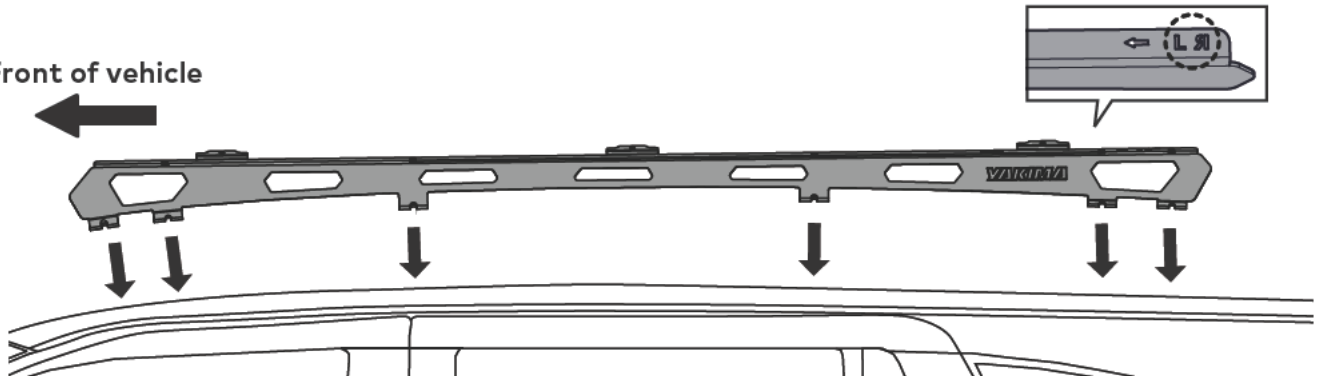
Liberaly apply the supplied silicone sealant to the inside surface and on top of each hole **on one side of the vehicle.**



**4****POSITION RUGGEDLINE ON VEHICLE ROOF.**

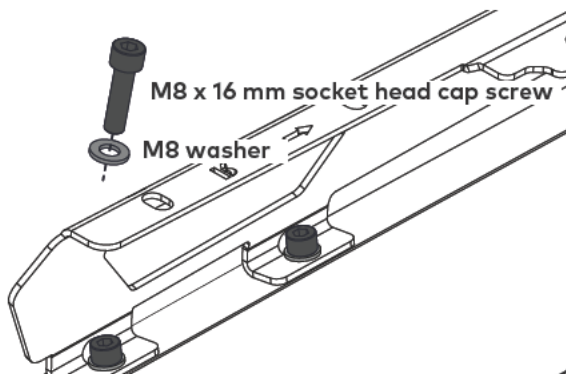
Referring to the left-right orientation on top of each RuggedLine, carefully place one side of the RuggedLine onto vehicle roof as shown. Line up the mounting holes on the bottom tabs to those exposed on the roof. The tabs are to face in towards the vehicle.

Front of vehicle

**5****ASSEMBLE RUGGEDLINE HARDWARE.**

Assemble the M8 x 16 mm socket head cap screw and M8 washer as shown and place into mounting holes on bottom tabs of RuggedLine.

Ensure hardware and holes align with the holes on roof.

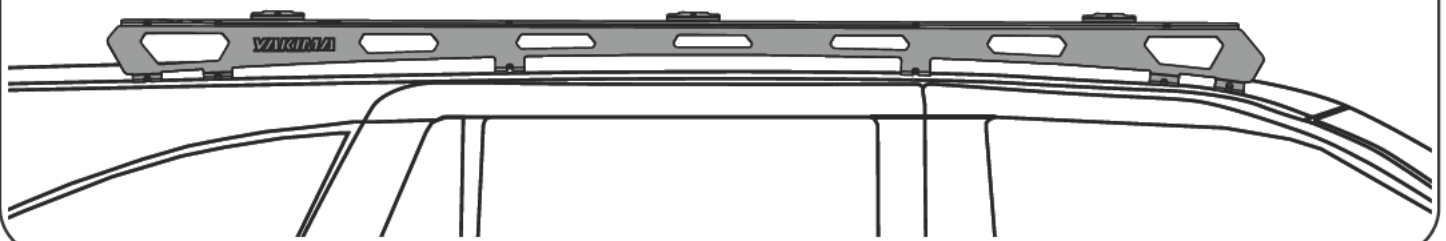
**6****TIGHTEN RUGGEDLINE HARDWARE.**

Using the 6 mm T-handle ball end allen key, and avoiding damage to the powder coat, start to carefully secure the RuggedLine by tightening the M8 socket head cap screws to 7 Nm into the mounting holes in roof.

**7****REPEAT STEPS TO OPPOSITE SIDE.**

Repeat steps 3-6 on pages 4-5 for securing opposite side of RuggedLine.

Ensure both RuggedLine are securely positioned on vehicle roof. Check each screw is secure before proceeding to install LockNLoad platform to RuggedLine.



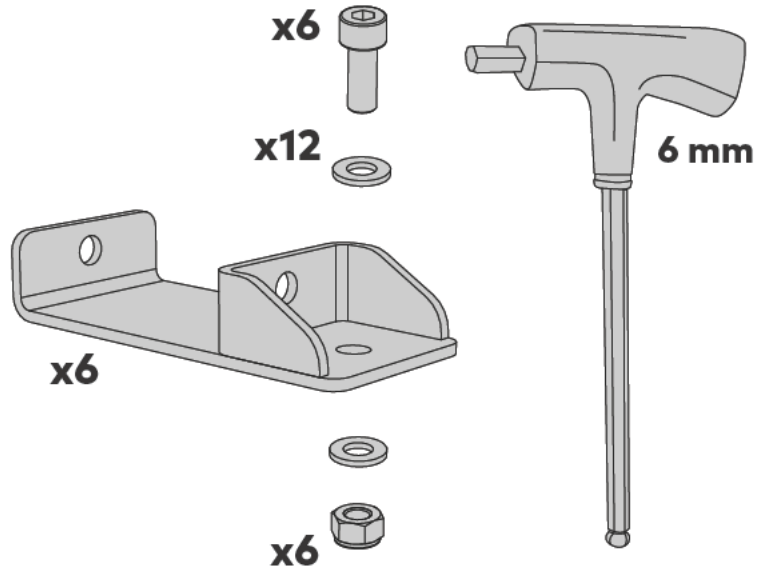
# 8

## PIVOT BRACKET ASSEMBLIES.

Retain the 6 mm T-handle ball end allen key and not yet installed pivot brackets, M8 x 20 mm socket head cap screws, M8 nyloc nuts and M8 washers.



These components will be required for mounting your LockNLoad platform to your newly installed RuggedLine.



**NOW SWITCH TO YOUR LOCKNLOAD PLATFORM INSTRUCTIONS AND CONTINUE FROM THE 'RUGGEDLINE MOUNTING INSTRUCTIONS' PAGE.**

This page intentionally left blank



[www.yakima.com.au](http://www.yakima.com.au)  
[www.yakima.co.nz](http://www.yakima.co.nz)  
[www.yakima.com](http://www.yakima.com)  
[www.yakima.eu](http://www.yakima.eu)

**YAKIMA AUSTRALIA PTY LTD**

17 Hinkler Court  
Brendale, QLD 4500  
Australia  
1800 143 548

**YAKIMA PRODUCTS, INC.**

4101 Kruse Way  
Lake Oswego, OR  
97035-2541  
USA  
888 925 4621  
[yakima.com/support](http://yakima.com/support)