

MAXIMUM PRODUCT LOAD RATING: 100 kg 

IMPORTANT:

- **LOAD = WEIGHT OF PLATFORM or BARS + MOUNTING SYSTEM + ACCESSORIES + CARGO**
- **PLEASE REFER TO VEHICLE MANUFACTURER SPECIFICATIONS FOR MAX ROOF LOAD CAPACITY OF VEHICLE. THE LOWEST LOAD RATING APPLIES.**
- **OFFROAD RATING: SCAN QR CODE FOR LOCKNLOAD LOAD RATING GUIDE. REDUCTIONS MAY APPLY.**



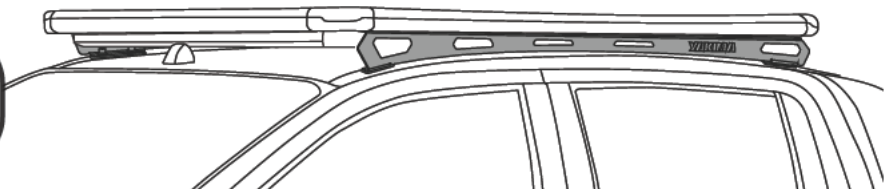
FIRST TIME INSTALLATION

- Please read instructions carefully before installation.
- Check the contents of kit. Each LockNLoad RuggedLine has the last four digits of the kit's part number lasered in. Contact your YAKIMA dealer if any parts appear missing, incorrect or damaged.
- Clean your roof thoroughly prior to fitting the LockNLoad RuggedLine.
- Place these instructions in the vehicle's glove box after installation is complete.



TOOLS REQUIRED:

- Small pick tool
- 8 mm Socket

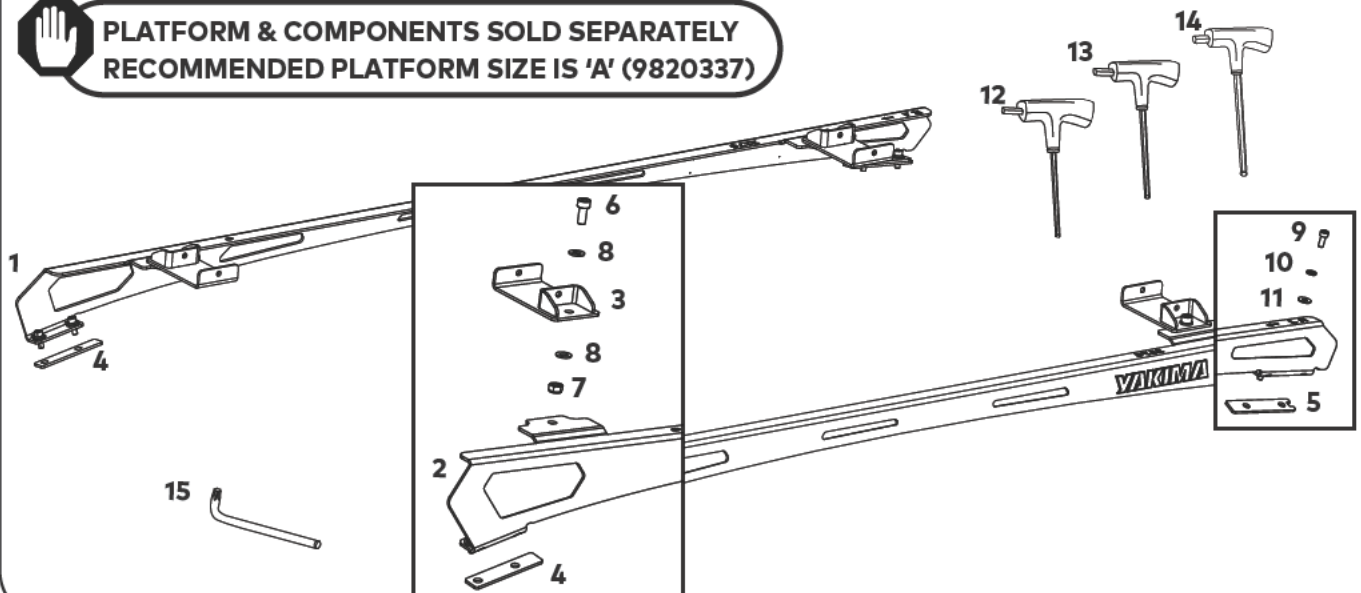


KIT CONTENTS

ITEM	COMPONENT	QTY	ITEM	COMPONENT	QTY
1.	Wildtrak/Amarok RuggedLine RH 2176	x1	8.	M8 Washer	x8
2.	Wildtrak/Amarok RuggedLine LH 2176	x1	9.	M6 x 16 mm Socket Head Cap Screw	x8
3.	Pivot Bracket	x4	10.	M6 Spring Washer	x8
4.	Front Spacer	x2	11.	M6 Washer	x8
5.	Rear Spacer	x2	12.	4 mm T-Handle Ball End Allen Key	x1
6.	M8 x 20 mm Socket Head Cap Screw	x4	13.	5 mm T-Handle Ball End Allen Key	x1
7.	M8 Nyloc Nut	x4	14.	6 mm T-Handle Ball End Allen Key	x1
			15.	T40 Torx	x1



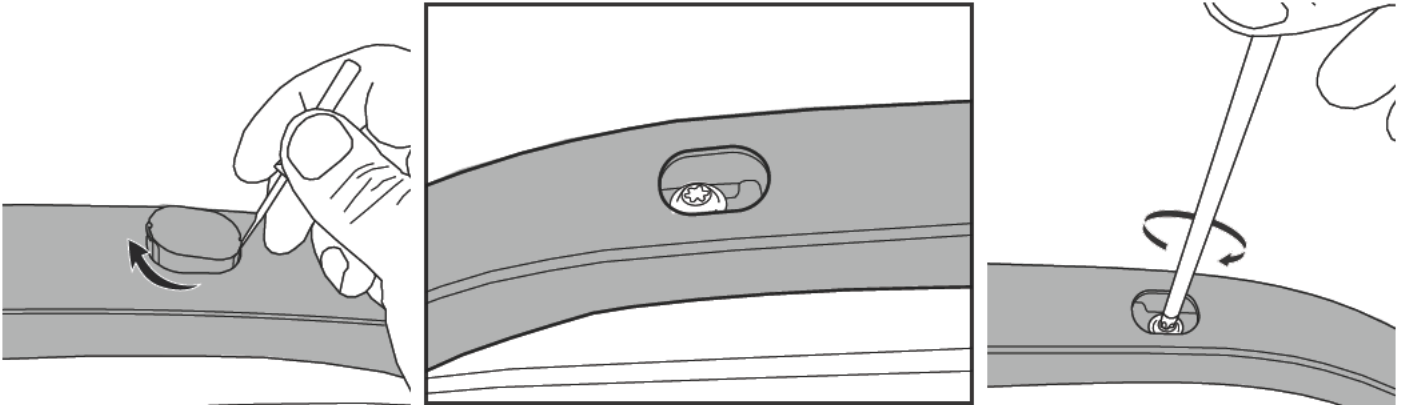
**PLATFORM & COMPONENTS SOLD SEPARATELY
RECOMMENDED PLATFORM SIZE IS 'A' (9820337)**



REMOVING FACTORY RAISED ROOF RAILS

1 REMOVE RAIL GUARDS.

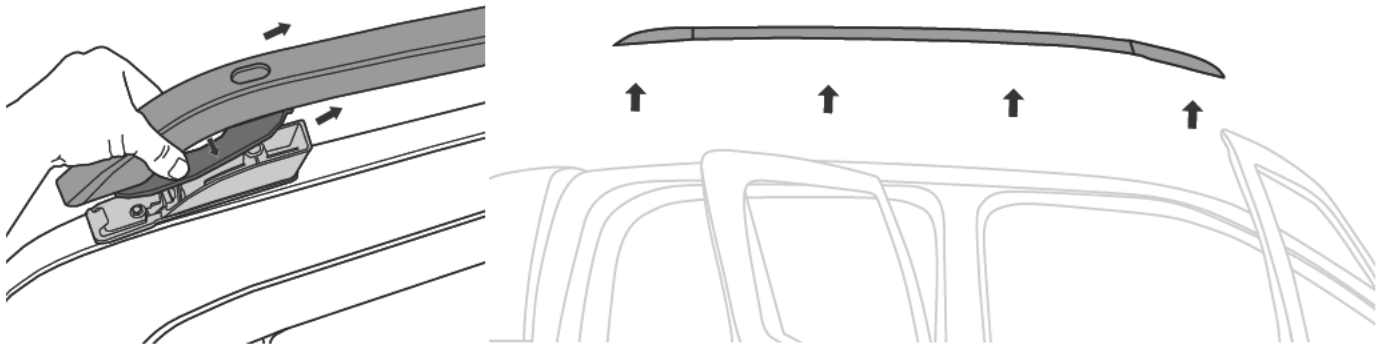
Using a small tool, remove the caps on the rails and unscrew the bolt using a T40 torx driver.



NOTE: Apply upwards pressure to the rail to prevent the captive nut from dropping and spinning while the bolt is being undone.

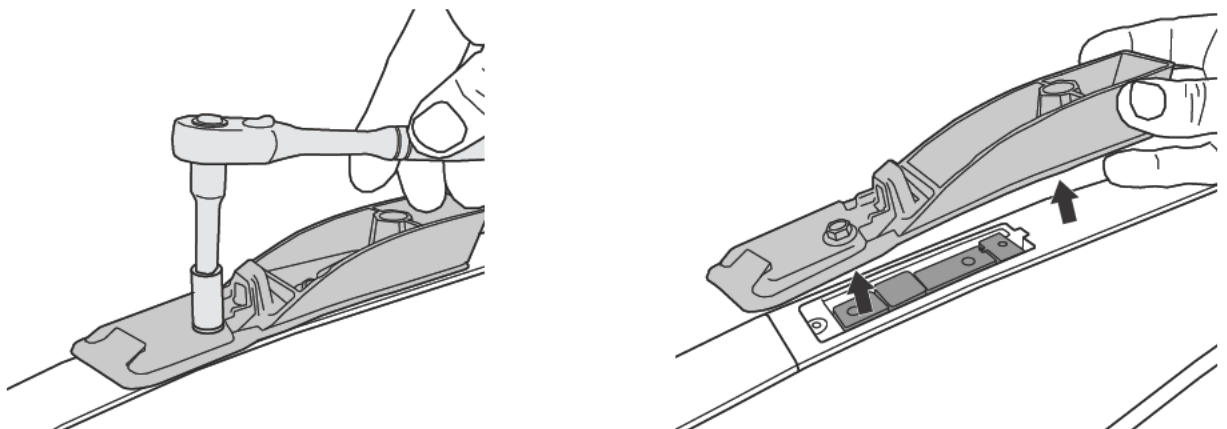
2 REMOVE RAILS.

Slide the lock plate towards the center of the rail until it releases from the base plate. Carefully lift the roof rail and slide out the lock plate, then lift the rail clear.



3 REMOVE THIS BRACKET.

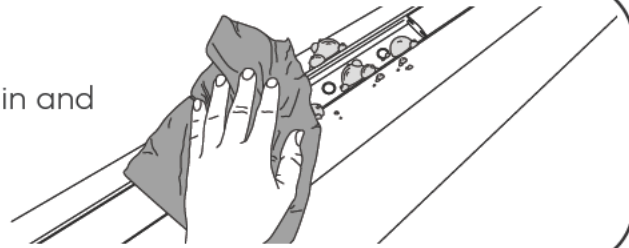
Using the 8 mm socket, remove the base plate from the vehicle roof.



4

CLEAN ROOF.

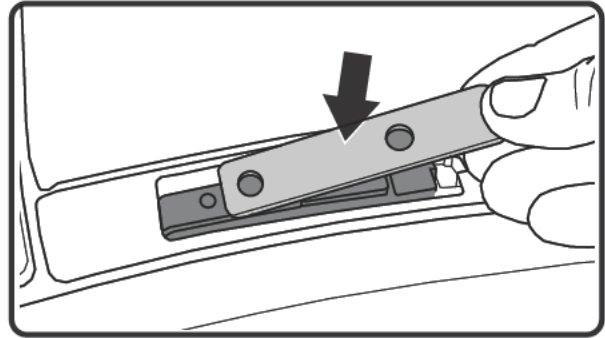
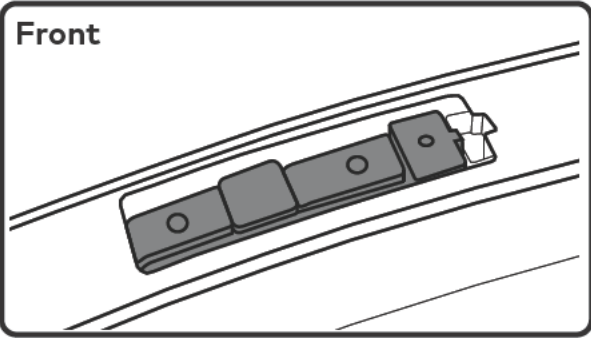
Wipe clean any dirt that may have built up in and around all mounting holes.



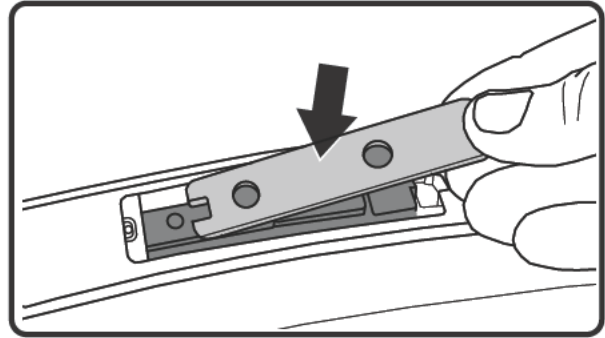
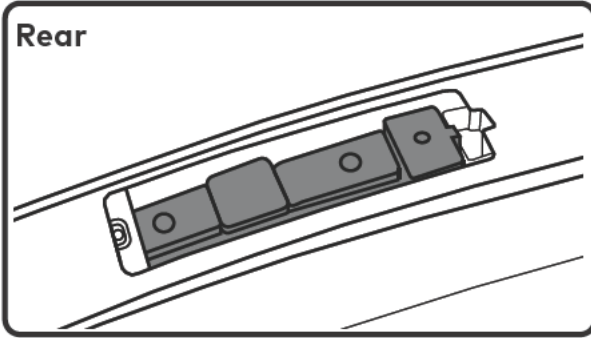
INSTALL PLATE.

Install the front and rear spacers onto the exposed contents in the vehicle roof.

Front



Rear



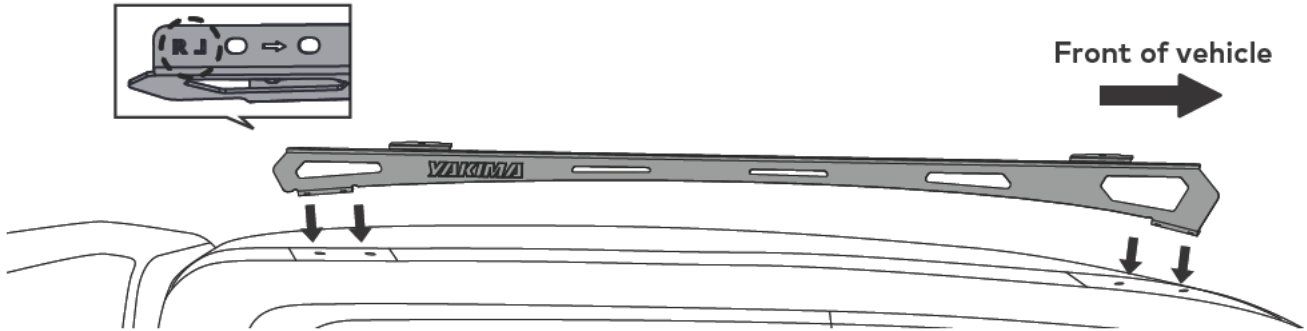
FACTORY SNORKEL.

RuggedLine can be installed in conjunction with a factory snorkel. The RuggedLine can sit on top of the snorkel bracket.

MOUNTING RUGGEDLINE

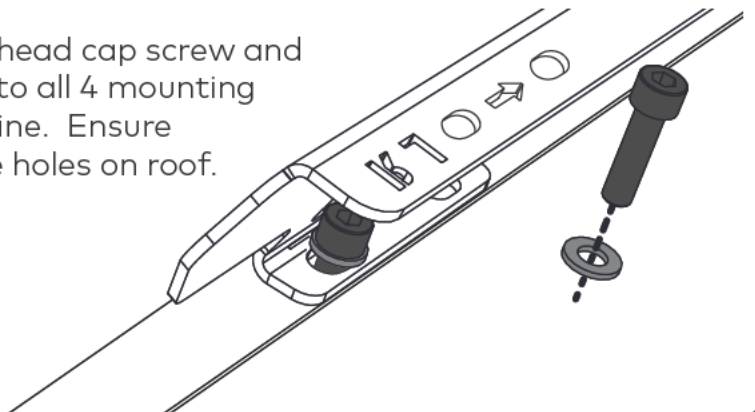
1 POSITION RUGGEDLINE ON VEHICLE ROOF.

Referring to the left-right orientation on top of each RuggedLine, carefully place one side of the RuggedLine onto vehicle roof as shown. Line up the mounting holes on the bottom tabs to those exposed on the roof.



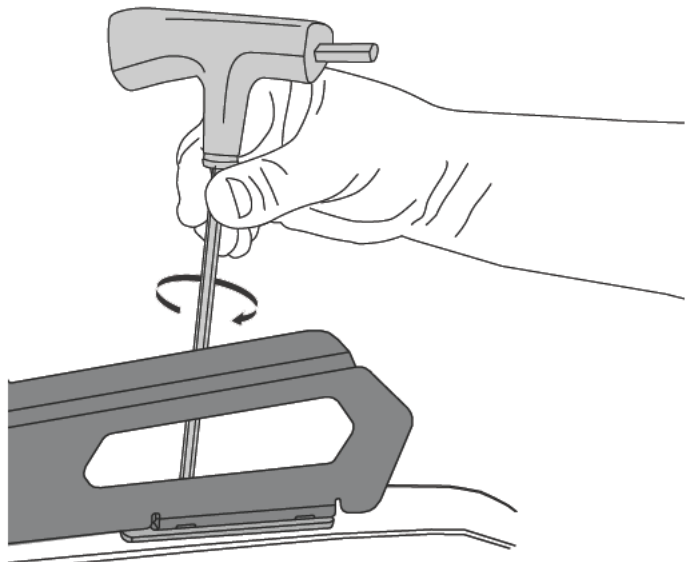
2 ASSEMBLE RUGGEDLINE HARDWARE.

Assemble the M6 x 16 mm socket head cap screw and M6 washer as shown and place into all 4 mounting holes on bottom tabs of RuggedLine. Ensure hardware and holes align with the holes on roof.



3 SECURE RUGGEDLINE SPINE TO PLATE.

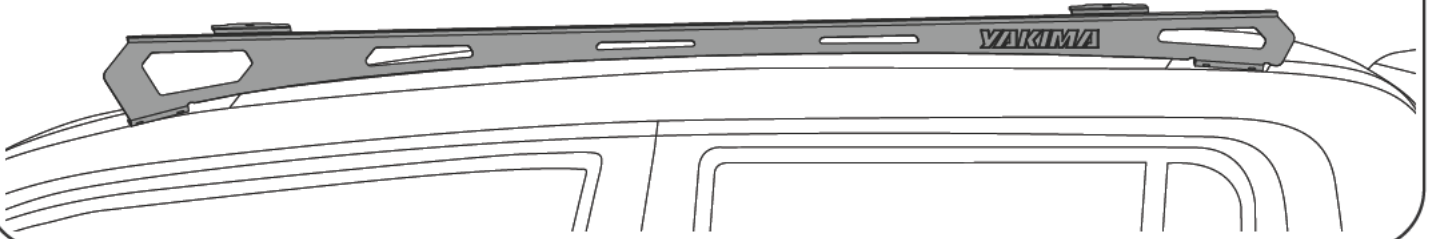
Using the 5 mm T-handle ball end allen key, tighten the M6 socket head cap screws to 5 Nm into the vehicle roof.



4**REPEAT STEPS TO OPPOSITE SIDE.**

Repeat steps 1-3 for securing opposite side of RuggedLine.

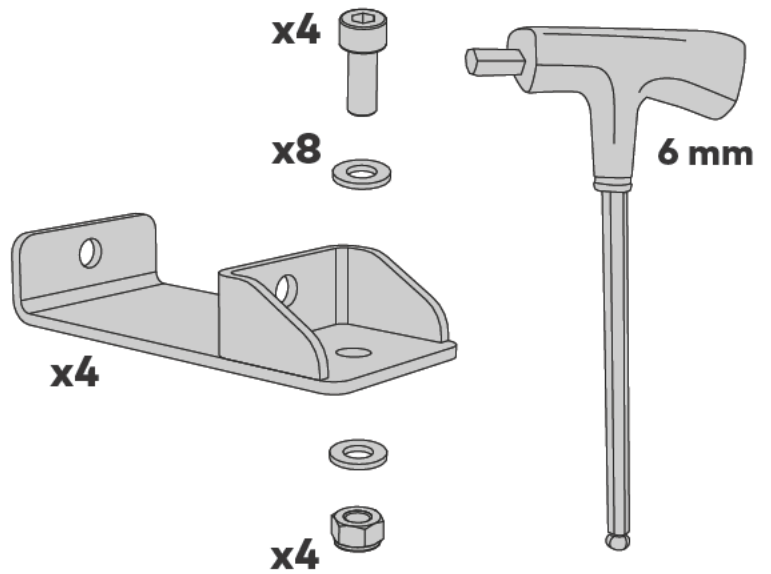
Ensure both RuggedLine are securely positioned on vehicle roof. Check each screw is secure before proceeding to install LockNLoad platform to your RuggedLine.

**5****PIVOT BRACKET ASSEMBLIES.**

Retain the 6 mm T-handle ball end allen key and not yet installed pivot brackets, M8 x 20 mm socket head cap screws, M8 nyloc nuts and M8 washers.



These components will be required for mounting your LockNLoad platform to your newly installed RuggedLine.



NOW SWITCH TO YOUR LOCKNLOAD PLATFORM INSTRUCTIONS AND CONTINUE FROM THE 'RUGGEDLINE MOUNTING INSTRUCTIONS' PAGE.



www.yakima.com.au
www.yakima.co.nz
www.yakima.com
www.yakima.eu

YAKIMA AUSTRALIA PTY LTD

17 Hinkler Court
Brendale, QLD 4500
Australia
1800 143 548

YAKIMA PRODUCTS, INC.

4101 Kruse Way
Lake Oswego, OR
97035-2541
USA
888 925 4621
yakima.com/support

ALL CONTENT SUBJECT TO YAKIMA AUSTRALIA PTY LTD COPYRIGHT © 2024