

MAXIMUM PRODUCT LOAD RATING: 150 kg



IMPORTANT:

- **LOAD = WEIGHT OF PLATFORM or BARS + MOUNTING SYSTEM + ACCESSORIES + CARGO**
- **PLEASE REFER TO VEHICLE MANUFACTURER SPECIFICATIONS FOR MAX ROOF LOAD CAPACITY OF VEHICLE. THE LOWEST LOAD RATING APPLIES.**
- **OFFROAD RATING: SCAN QR CODE FOR LOCKNLOAD LOAD RATING GUIDE. REDUCTIONS MAY APPLY.**



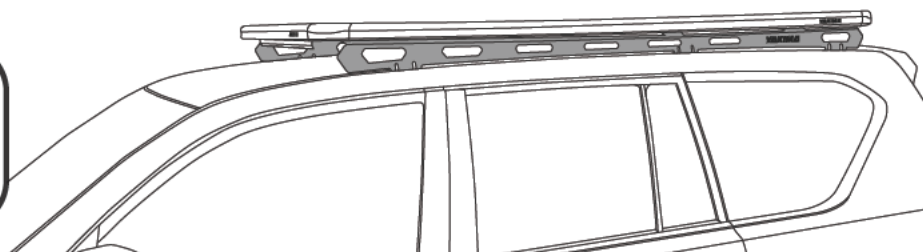
FIRST TIME INSTALLATION

- Please read instructions carefully before installation.
- Check the contents of kit. Each LockNLoad RuggedLine has the last four digits of the kit's part number lasered in. Contact your YAKIMA dealer if any parts appear missing, incorrect or damaged.
- Clean your roof thoroughly prior to fitting the LockNLoad RuggedLine.
- Place these instructions in the vehicle's glove box after installation is complete.



TOOLS REQUIRED:

- 13 mm Spanner
- 10 mm Socket Wrench
- Trim Removal Tool

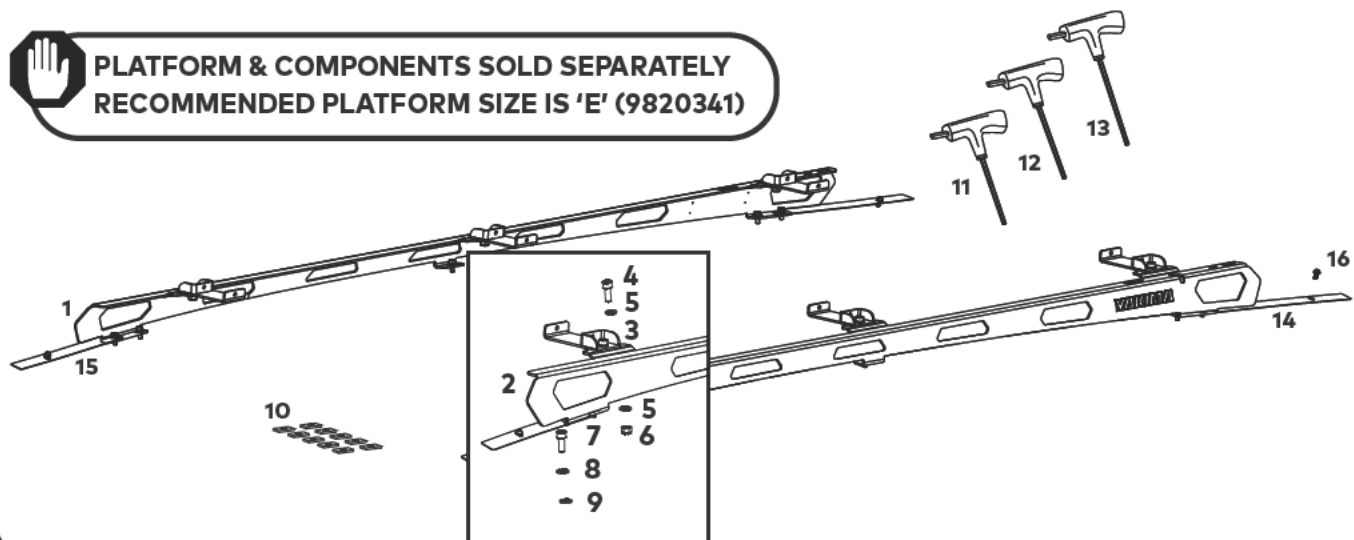


KIT CONTENTS

ITEM	COMPONENT	QTY	ITEM	COMPONENT	QTY
1.	Pajero Sport RuggedLine RH 2114	x1	9.	M6 Washer	x10
2.	Pajero Sport RuggedLine LH 2114	x1	10.	Foam Adhesive	x10
3.	Pivot Bracket	x6	11.	4 mm T-Handle Ball End Allen Key	x1
4.	M8 x 20 mm Socket Head Cap Screw	x6	12.	5 mm T-Handle Ball End Allen Key	x1
5.	M8 Washer	x12	13.	6 mm T-Handle Ball End Allen Key	x1
6.	M8 Nut Nyloc	x6	14.	Ditch Mould Bracket Rear	x2
7.	M6 x 16 mm Socket Head Cap Screw	x10	15.	Ditch Mould Bracket Front	x2
8.	M6 Spring Washer	x10	16.	M6 x 14 mm Button Head Cap Screw with Captive Washer	x4



**PLATFORM & COMPONENTS SOLD SEPARATELY
RECOMMENDED PLATFORM SIZE IS 'E' (9820341)**

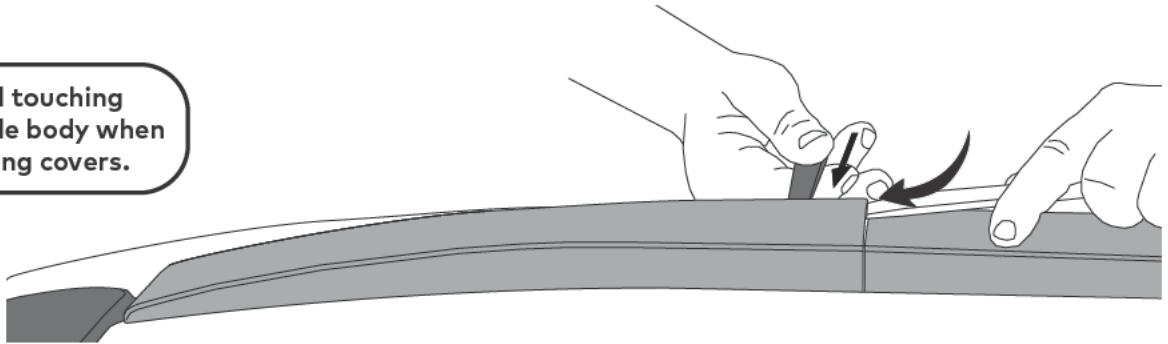


REMOVING FACTORY FLUSH ROOF RAILS

1 UNCLIP PLASTIC RAIL END COVERS.

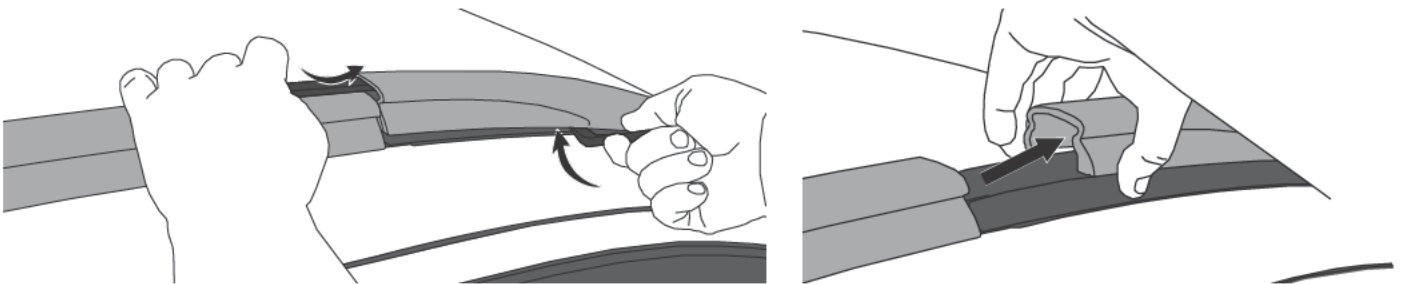
Using an appropriate trim removal tool, wedge the rail covers upwards to release the internal clips.

! Avoid touching vehicle body when levering covers.



2 LIFT PLASTIC RAIL COVERS.

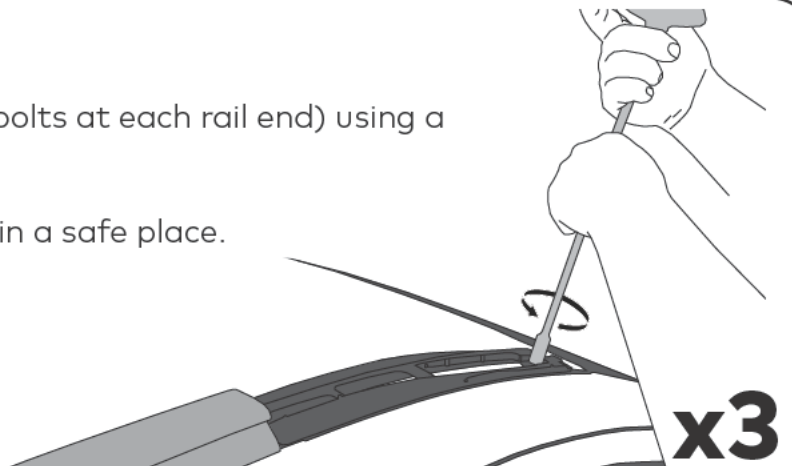
Lift the outermost end of the front and rear covers up with caution. Lift outwards to avoid damage to rail



3 LOOSEN BOLTS.

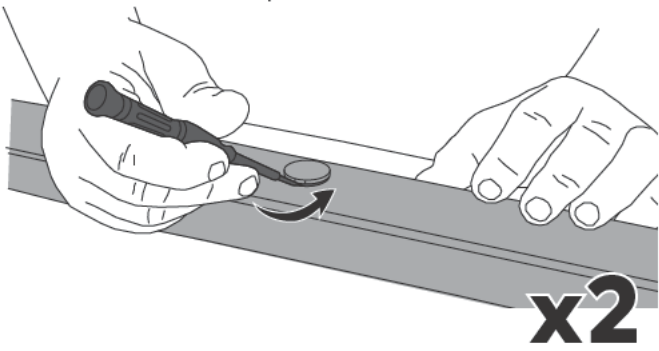
Remove exposed hardware (x3 bolts at each rail end) using a 10 mm socket wrench.

Store removed hardware away in a safe place.



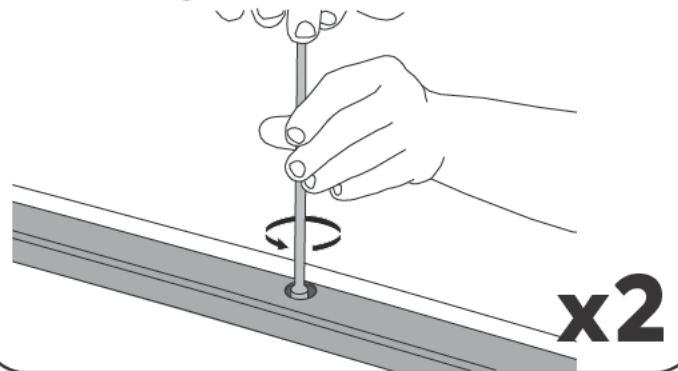
4 REMOVE RAIL CAPS.

Using a trim removal tool, remove the rail caps x2 from the rail.



5 LOOSEN BOLTS.

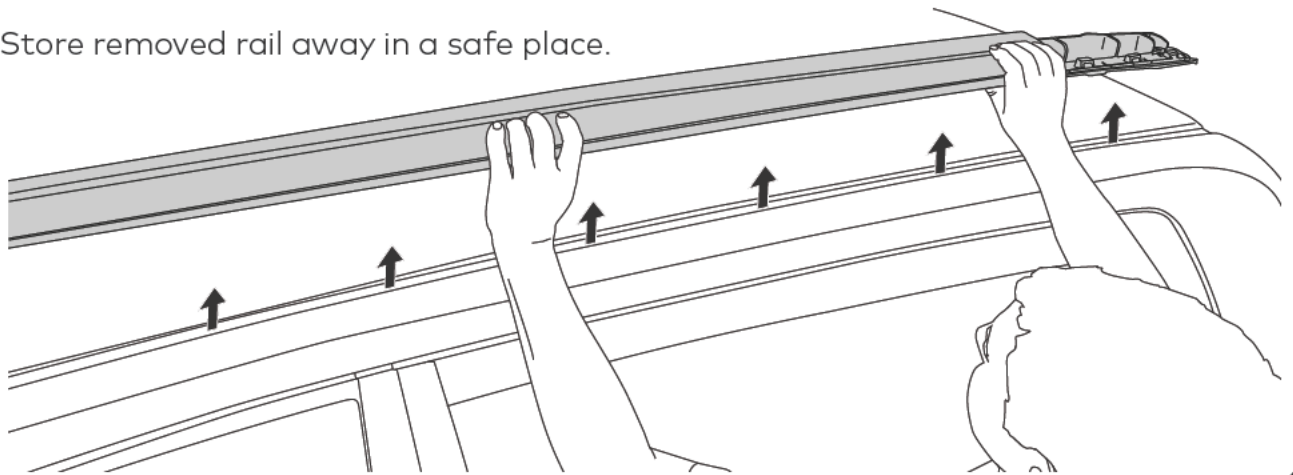
Loosen the now exposed bolts (x2) using a 10 mm socket wrench.



6 REMOVE RAIL.

Lift roof rail upwards and carefully remove from the roof.

Store removed rail away in a safe place.



7 CLEAN EXPOSED THREAD.

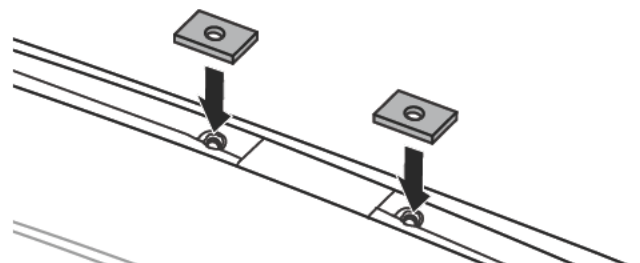
Take care that the thread in the roof has been cleared of all debris and is clean.



REPEAT STEP 1-7 ON THE OPPOSITE SIDE OF THE VEHICLE.

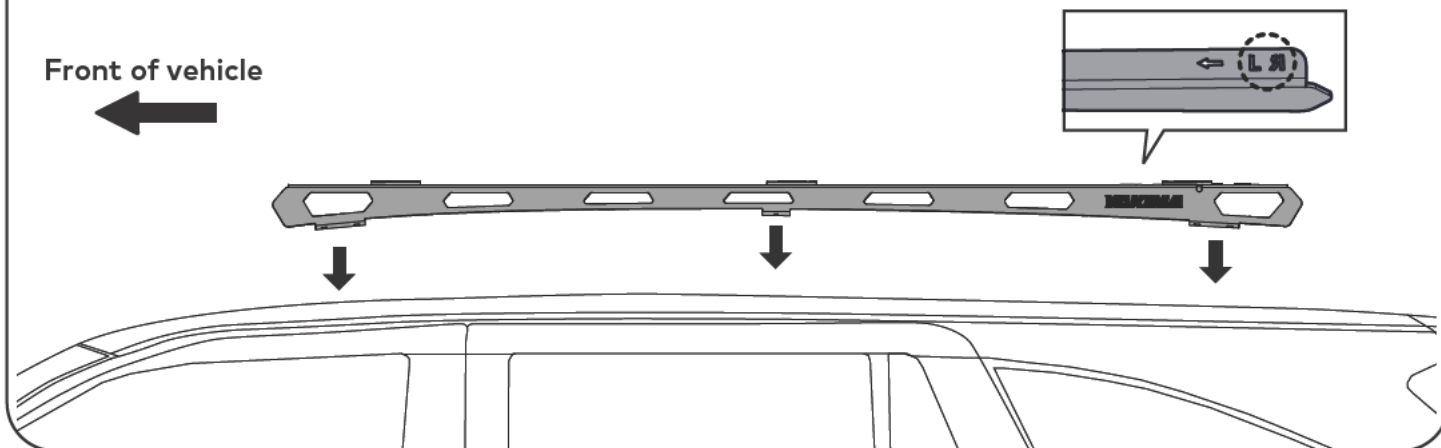
8 AFFIX FOAM ADHESIVE.

Carefully apply foam adhesive over all the exposed holes in roof channel, lining up holes in foam with the holes in roof channel. Apply with adhesive side to vehicle.



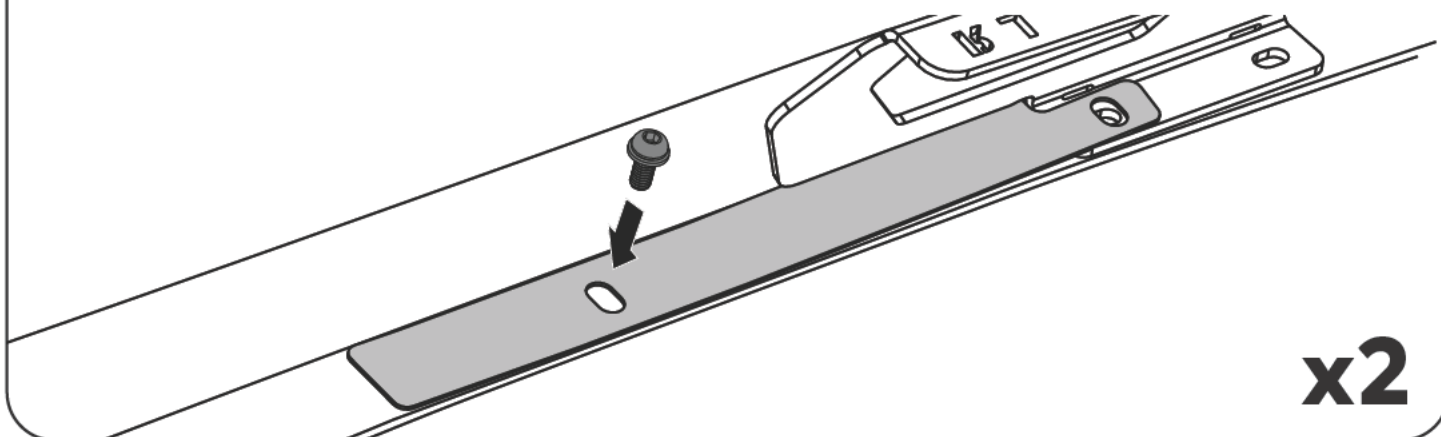
9 POSITION RUGGEDLINE ON VEHICLE ROOF.

Referring to the left-right orientation on top of each RuggedLine, carefully place one side of the RuggedLine onto vehicle roof as shown. Line up the mounting holes on the bottom tabs to those exposed on the roof. The tabs are to face in towards the vehicle.



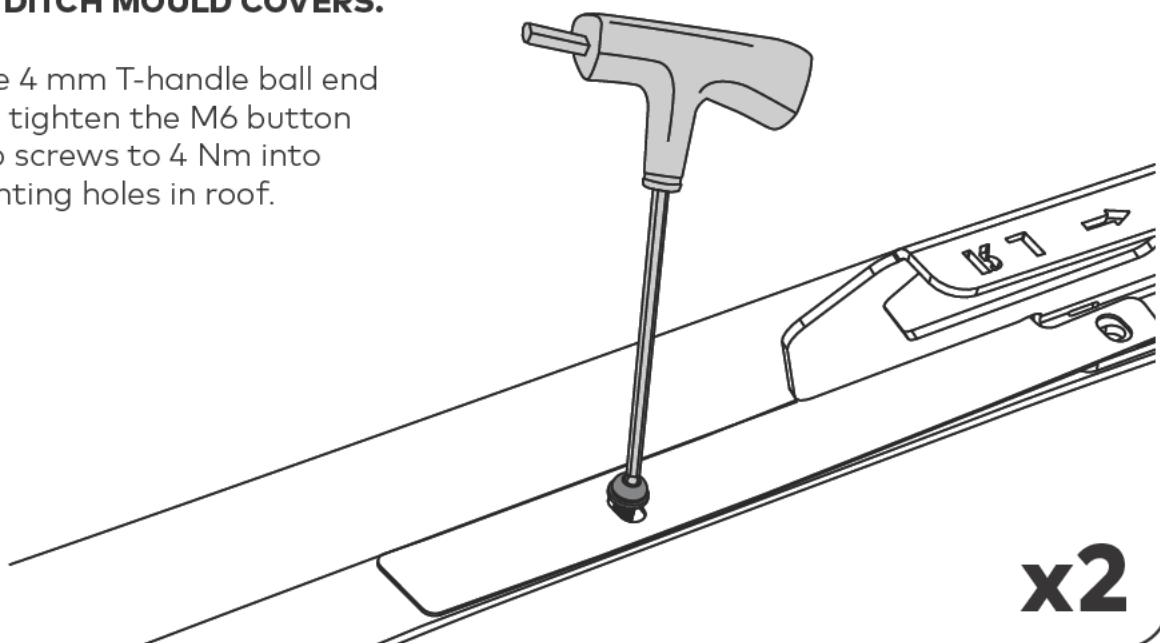
10 POSITION DITCH MOULD COVERS.

Position the front and rear ditch mould covers as shown and secure with the M6 x 14 mm button head cap screw with washer.



11 SECURE DITCH MOULD COVERS.

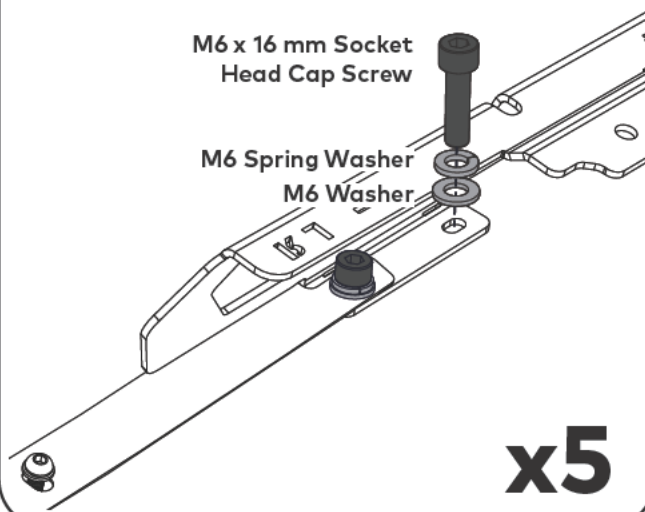
Using the 4 mm T-handle ball end allen key, tighten the M6 button head cap screws to 4 Nm into the mounting holes in roof.



12 ASSEMBLE RUGGEDLINE HARDWARE.

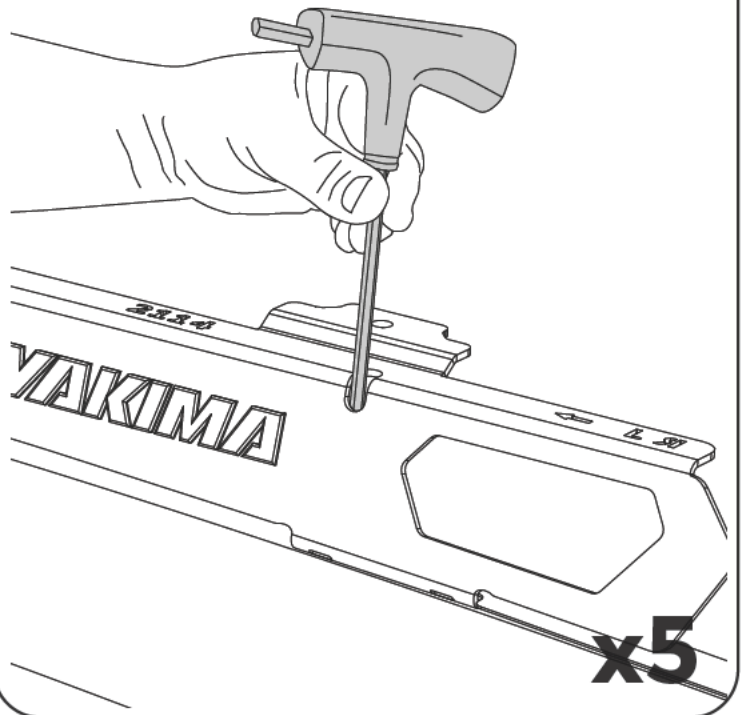
Assemble the M6 x 16 mm socket head cap screw, M6 spring washer and washer as shown and place into mounting holes on bottom tabs of RuggedLine.

Ensure hardware and holes align with the holes on roof.



13 TIGHTEN RUGGEDLINE HARDWARE.

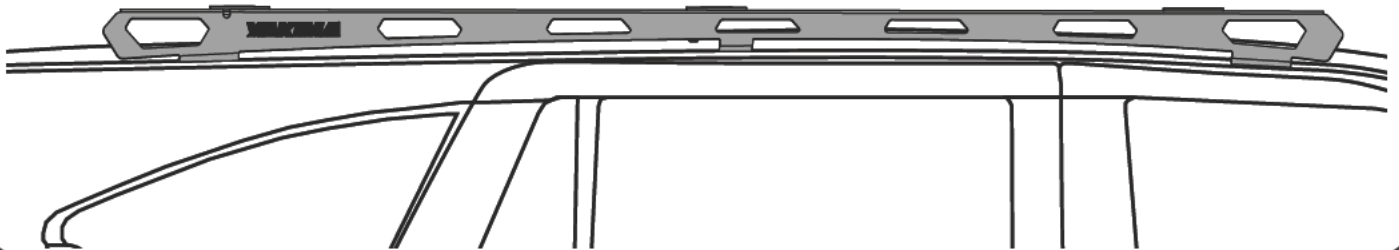
Using the 5 mm T-handle ball end allen key, and avoiding damage to the powder coat, start to carefully secure the RuggedLine by tightening the M6 socket head cap screws to 7 Nm into the mounting holes in roof.



14 REPEAT STEPS TO OPPOSITE SIDE.

Repeat steps 9-13 for securing opposite side of RuggedLine.

Ensure both RuggedLine are securely positioned on the vehicle roof. Check each screw is secure before proceeding to install LockNLoad platform to RuggedLine.

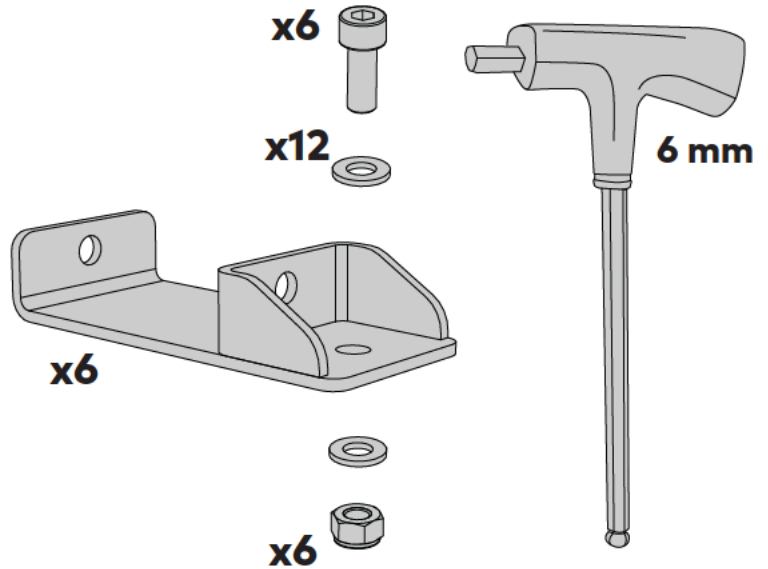


15**PIVOT BRACKET ASSEMBLIES.**

Retain the 6 mm T-handle ball end allen key and not yet installed pivot brackets, M8 x 20 mm socket head cap screws, M8 nyloc nuts and M8 washers.



These components will be required for mounting your LockNLoad platform to your newly installed RuggedLine.



NOW SWITCH TO YOUR LOCKNLOAD PLATFORM INSTRUCTIONS AND CONTINUE FROM THE 'RUGGEDLINE MOUNTING INSTRUCTIONS' PAGE.

YAKIMA®

www.yakima.com.au
 www.yakima.co.nz
 www.yakima.com
 www.yakima.eu

YAKIMA AUSTRALIA PTY LTD

17 Hinkler Court
 Brendale, QLD 4500
 Australia
 1800 143 548

YAKIMA PRODUCTS, INC.

4101 Kruse Way
 Lake Oswego, OR
 97035-2541
 USA
 888 925 4621
 yakima.com/support

ALL CONTENT SUBJECT TO YAKIMA AUSTRALIA PTY LTD COPYRIGHT © 2022