

**MAXIMUM PRODUCT LOAD RATING: 150 kg** 

**IMPORTANT:**

- **LOAD = WEIGHT OF PLATFORM or BARS + MOUNTING SYSTEM + ACCESSORIES + CARGO**
- **PLEASE REFER TO VEHICLE MANUFACTURER SPECIFICATIONS FOR MAX ROOF LOAD CAPACITY OF VEHICLE. THE LOWEST LOAD RATING APPLIES.**
- **OFFROAD RATING: SCAN QR CODE FOR LOCKNLOAD LOAD RATING GUIDE. REDUCTIONS MAY APPLY.**



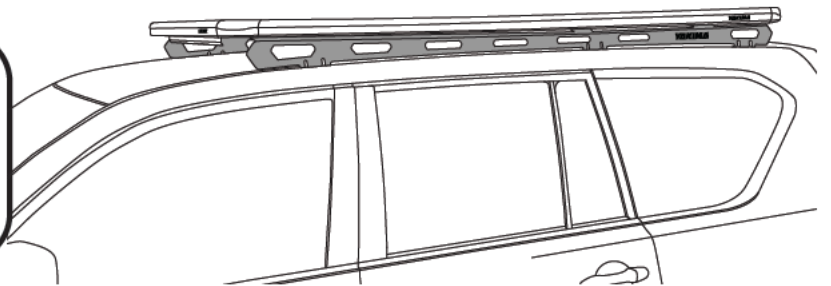
## FIRST TIME INSTALLATION

- Please read instructions carefully before installation.
- Check the contents of kit. Each LockNLoad RuggedLine has the last four digits of the kit's part number lasered in. Contact your YAKIMA dealer if any parts appear missing, incorrect or damaged.
- Clean your roof thoroughly prior to fitting the LockNLoad RuggedLine.
- Place these instructions in the vehicle's glove box after installation is complete.



**TOOLS REQUIRED:**

- Trim Removal Tool (optional)
- 10 mm Socket Wrench
- 10 mm Breaker Bar (optional)
- Rattle Gun (optional)

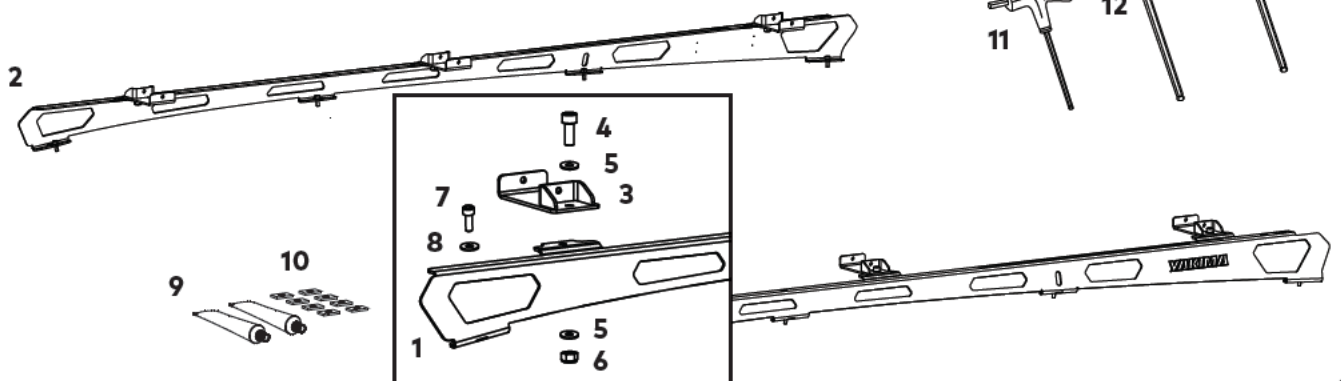


## KIT CONTENTS

| ITEM | COMPONENT                           | QTY | ITEM | COMPONENT                        | QTY |
|------|-------------------------------------|-----|------|----------------------------------|-----|
| 1.   | Everest Gen2 SUV RuggedLine LH 2113 | x1  | 8.   | M6 Washer                        | x8  |
| 2.   | Everest Gen2 SUV RuggedLine RH 2113 | x1  | 9.   | Silicone Sealant                 | x2  |
| 3.   | Pivot Bracket                       | x6  | 10.  | Foam Adhesive                    | x8  |
| 4.   | M8 x 20 mm Socket Head Cap Screw    | x6  | 11.  | 4 mm T-Handle Ball End Allen Key | x1  |
| 5.   | M8 Washer                           | x12 | 12.  | 5 mm T-Handle Ball End Allen Key | x1  |
| 6.   | M8 Nut Nyloc                        | x6  | 13.  | 6 mm T-Handle Ball End Allen Key | x1  |
| 7.   | M6 x 16 mm Socket Head Cap Screw    | x8  |      |                                  |     |



**PLATFORM & COMPONENTS SOLD SEPARATELY  
RECOMMENDED PLATFORM SIZE IS 'E' (9820341)**

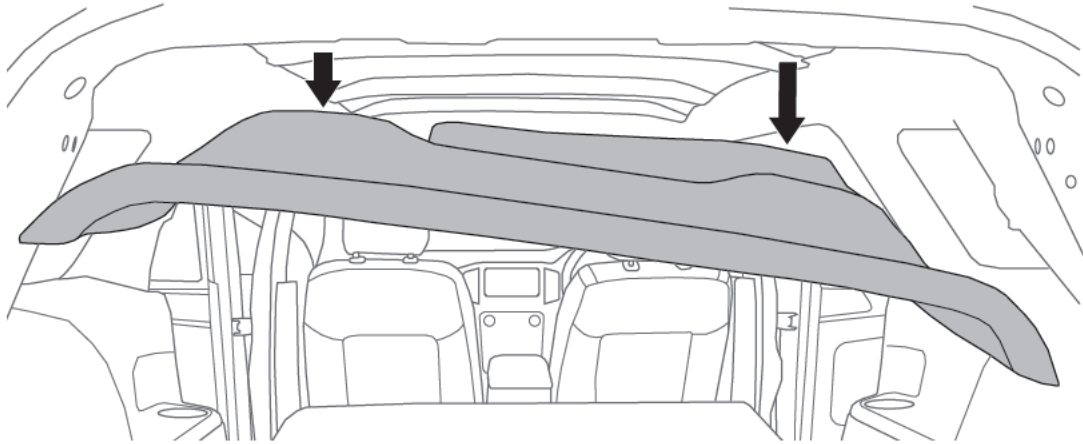


## REMOVING FACTORY RAILS

**1**

### REMOVE ROOF LINING (RECOMMENDED PROFESSIONALS ONLY).

Before the factory roof rails can be removed, you will need to arrange for the roof lining to be carefully removed to provide access to the rail nuts. These are only accessible from the underside of the roof.



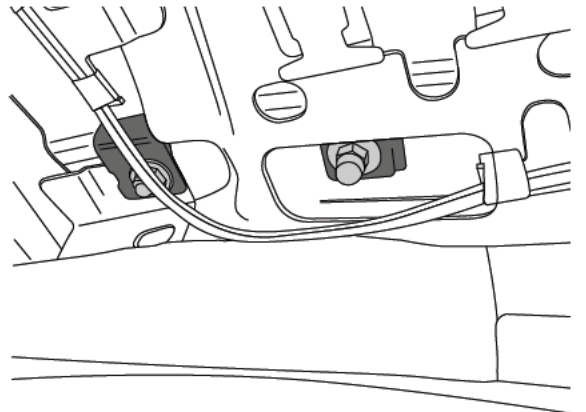
**2**

### REMOVE RAIL HARDWARE.

Once the roof lining has been removed, unscrew the factory nuts to remove the roof rails. There are 4 nuts each side of vehicle, close to curtain airbag.

Nuts to be removed using a 10 mm socket wrench.

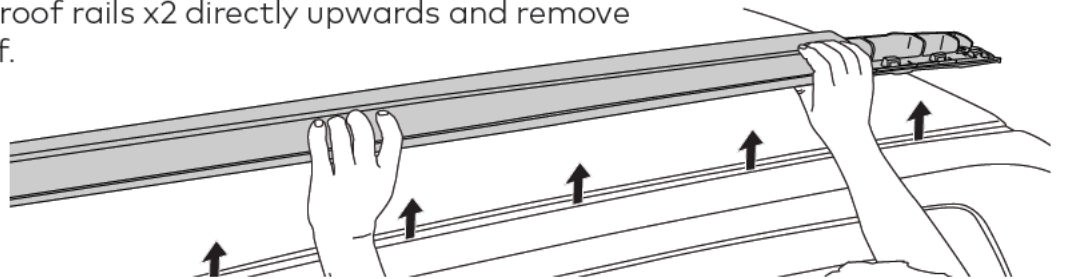
**DO NOT DISCARD NUTS**



**3**

### REMOVE RAILS.

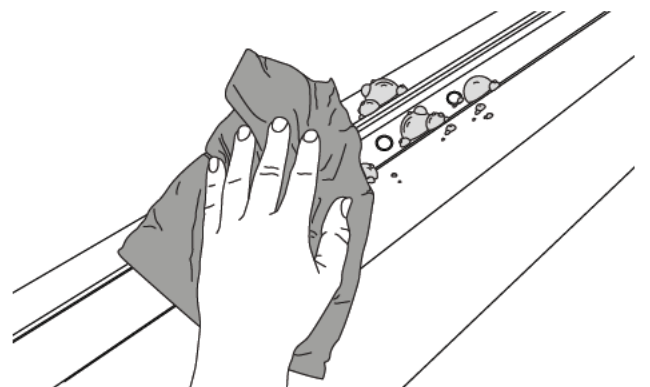
Carefully lift roof rails x2 directly upwards and remove from the roof.



**4**

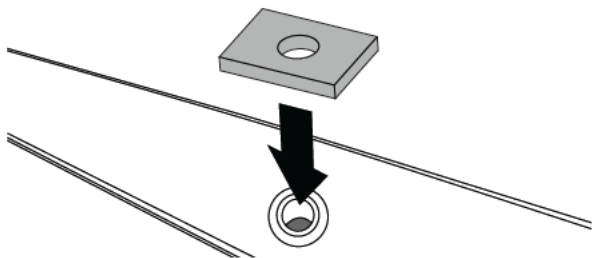
### CLEAN ROOF.

Wipe clean any dirt that may have built up in and around all mounting holes.

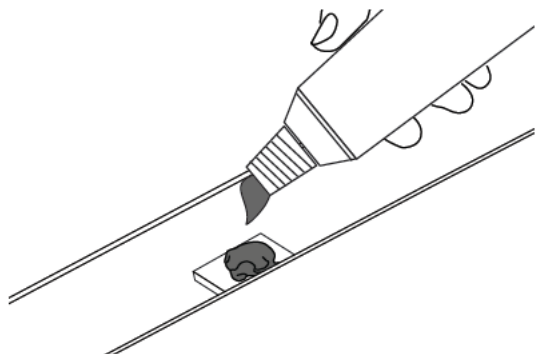


**5****AFFIX FOAM ADHESIVE.**

Apply foam adhesive over all 8 mounting holes in the vehicle's fixed points, with adhesive side to vehicle.

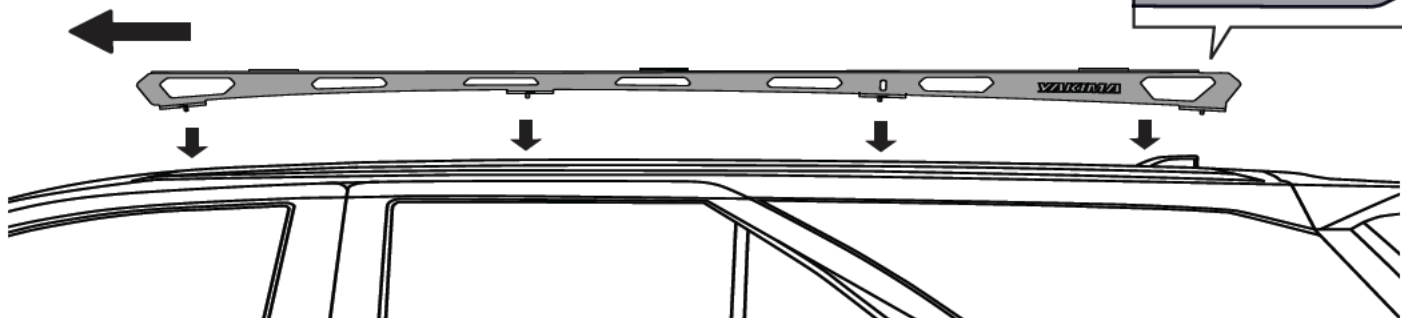
**6****APPLY SILICONE SEALANT.**

Liberally apply the supplied silicone sealant to the inside surface and on top of each hole **on one side of vehicle.**

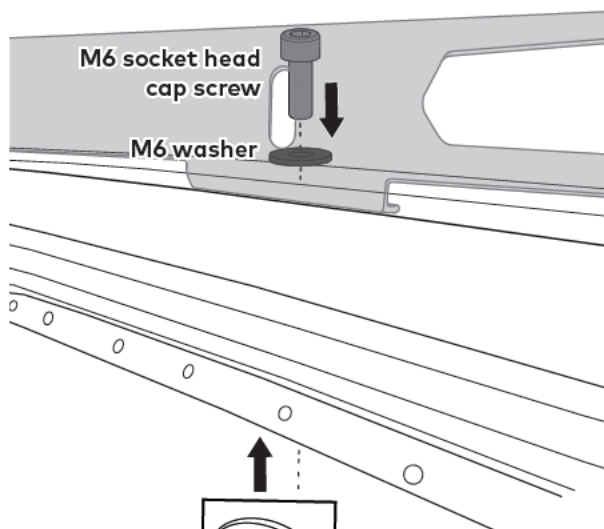
**7****POSITION RUGGEDLINE ON VEHICLE ROOF.**

Referring to the left-right orientation on top of each RuggedLine, carefully place one side of the RuggedLine onto vehicle roof as shown. Line up the mounting holes on the bottom tabs to those exposed on the roof. The tabs are to face in towards the vehicle.

Front of vehicle  
←

**8****INSERT BOLTS.**

Insert M6 socket head cap screws with M6 washers into feet of Ruggedline to car.



Use existing nuts from step 2

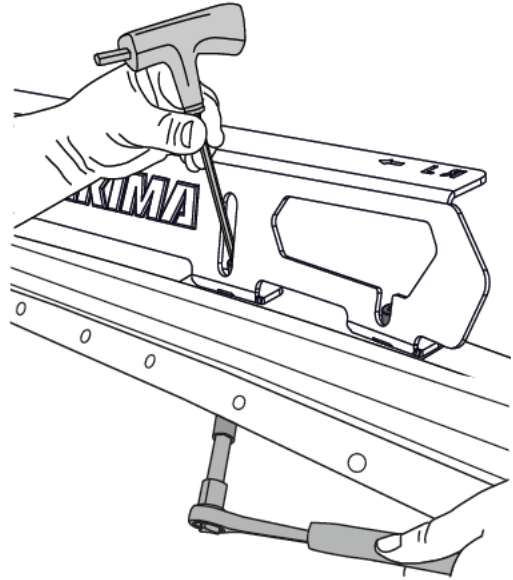


RECOMMENDED TO USE SILICONE SEALANT OR EQUIVALENT

# 9

## TIGHTEN RUGGEDLINE HARDWARE.

Using the 5 mm T-handle ball end allen key and a 10 mm socket wrench to secure the nut from the inside of the vehicle carefully secure the RuggedLine by tightening the M6 socket head cap screws to 7 Nm into the mounting holes in roof.



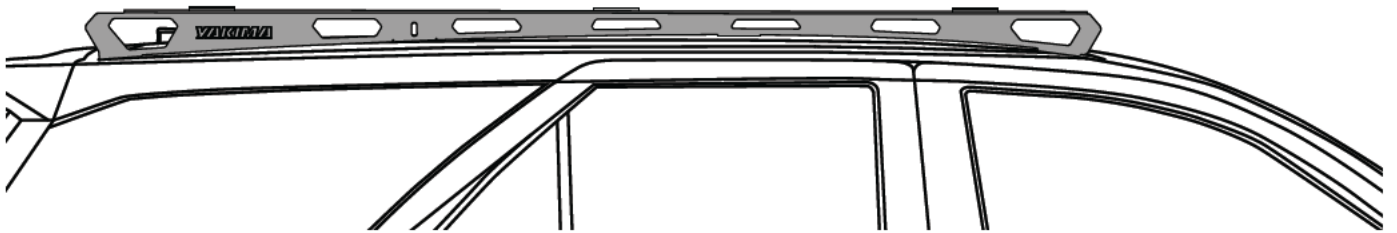
**!** Avoid damage to RuggedLine powder coat and vehicle body.

# 10

## REPEAT STEPS ON OPPOSITE SIDE.

Repeat steps 6-9 on pages 3-4 for securing opposite side of RuggedLine.

Ensure both RuggedLine are securely positioned on vehicle roof. Check each screw is secure before proceeding to install LockNLoad platform to RuggedLine.



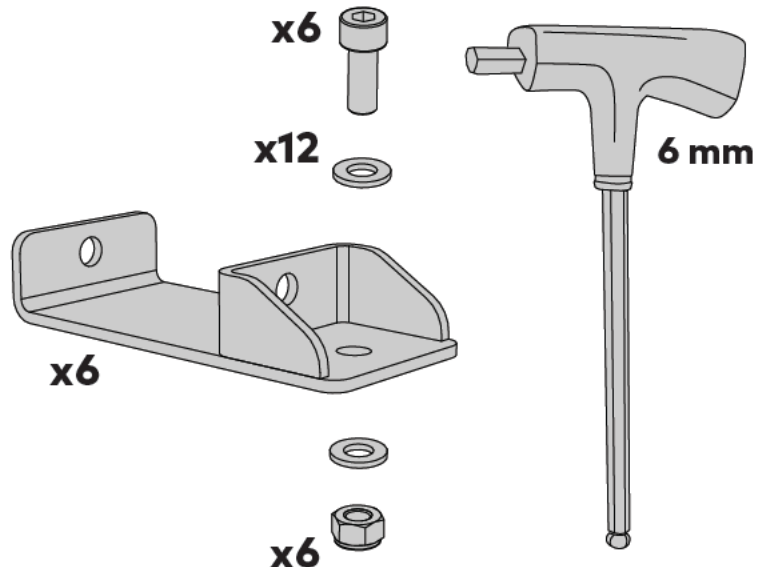
# 11

## PIVOT BRACKET ASSEMBLIES.

Retain the 6 mm T-handle ball end allen key and not yet installed pivot brackets, M8 x 20 mm socket head cap screws, M8 nyloc nuts and M8 washers.

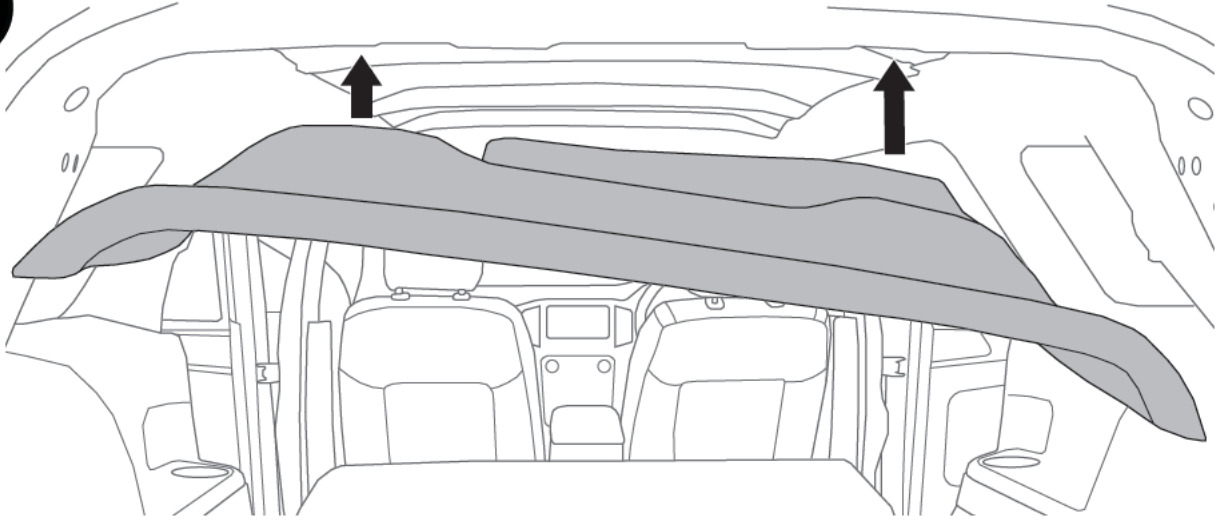


These components will be required for mounting your LockNLoad platform to your newly installed RuggedLine



**12**

**REFIT ROOF LINING (RECOMMENDED PROFESSIONALS ONLY).**



**NOW SWITCH TO YOUR LOCKNLOAD PLATFORM  
INSTRUCTIONS AND CONTINUE FROM THE  
'RUGGEDLINE MOUNTING INSTRUCTIONS' PAGE.**



[www.yakima.com.au](http://www.yakima.com.au)  
[www.yakima.co.nz](http://www.yakima.co.nz)  
[www.yakima.com](http://www.yakima.com)  
[www.yakima.eu](http://www.yakima.eu)

**YAKIMA AUSTRALIA PTY LTD**

17 Hinkler Court  
Brendale, QLD 4500  
Australia  
1800 143 548

**YAKIMA PRODUCTS, INC.**

4101 Kruse Way  
Lake Oswego, OR  
97035-2541  
USA  
888 925 4621  
[yakima.com/support](http://yakima.com/support)