

**MAXIMUM PRODUCT LOAD RATING: 150 kg** 

**IMPORTANT:**

- **LOAD = WEIGHT OF PLATFORM or BARS + MOUNTING SYSTEM + ACCESSORIES + CARGO**
- **PLEASE REFER TO VEHICLE MANUFACTURER SPECIFICATIONS FOR MAX ROOF LOAD CAPACITY OF VEHICLE. THE LOWEST LOAD RATING APPLIES.**
- **OFFROAD RATING: SCAN QR CODE FOR LOCKNLOAD LOAD RATING GUIDE. REDUCTIONS MAY APPLY.**



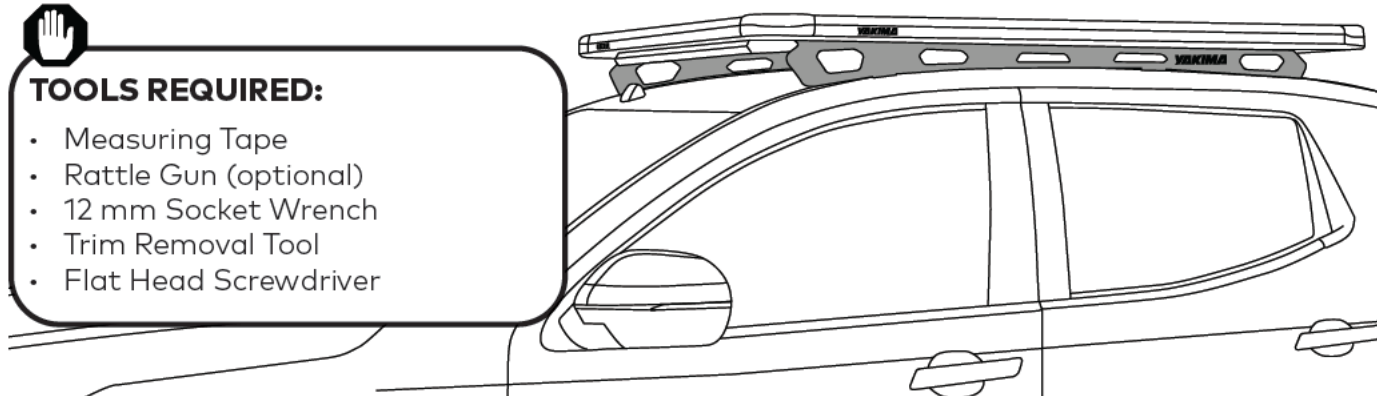
### FIRST TIME INSTALLATION

- Please read instructions carefully before installation.
- Check the contents of kit. Each LockNLoad RuggedLine has the last four digits of the kit's part number lasered in. Contact your YAKIMA dealer if any parts appear missing, incorrect or damaged.
- Clean your roof thoroughly prior to fitting the LockNLoad RuggedLine.
- Place these instructions in the vehicle's glove box after installation is complete.



**TOOLS REQUIRED:**

- Measuring Tape
- Rattle Gun (optional)
- 12 mm Socket Wrench
- Trim Removal Tool
- Flat Head Screwdriver

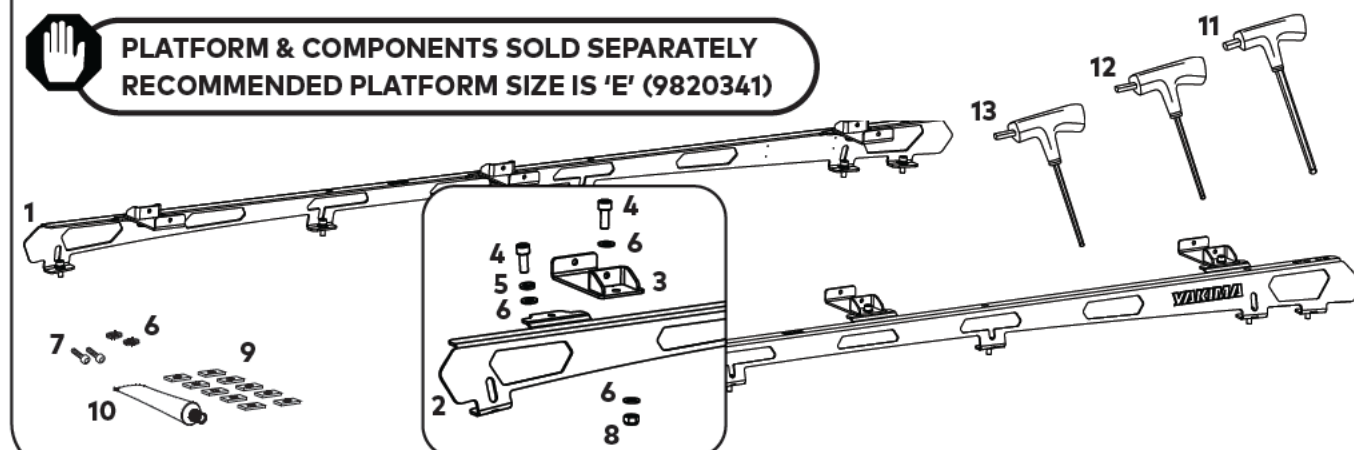


### KIT CONTENTS

ITEM	COMPONENT	QTY	ITEM	COMPONENT	QTY
1.	MU-X Gen2 SUV RuggedLine RH 2115	x1	7.	M8 x 16 mm Button Head Cap Screw	x2
2.	MU-X Gen2 SUV RuggedLine LH 2115	x1	8.	M8 Nyloc Nut	x6
3.	Pivot Bracket	x6	9.	Foam Adhesive	x10
4.	M8 x 20 mm Socket Head Cap Screw	x16	10.	Silicone Sealant	x1
5.	M8 Spring Washer	x10	11.	4 mm T-Handle Ball End Allen Key	x1
6.	M8 Washer	x24	12.	5 mm T-Handle Ball End Allen Key	x1
			13.	6 mm T-Handle Ball End Allen Key	x1



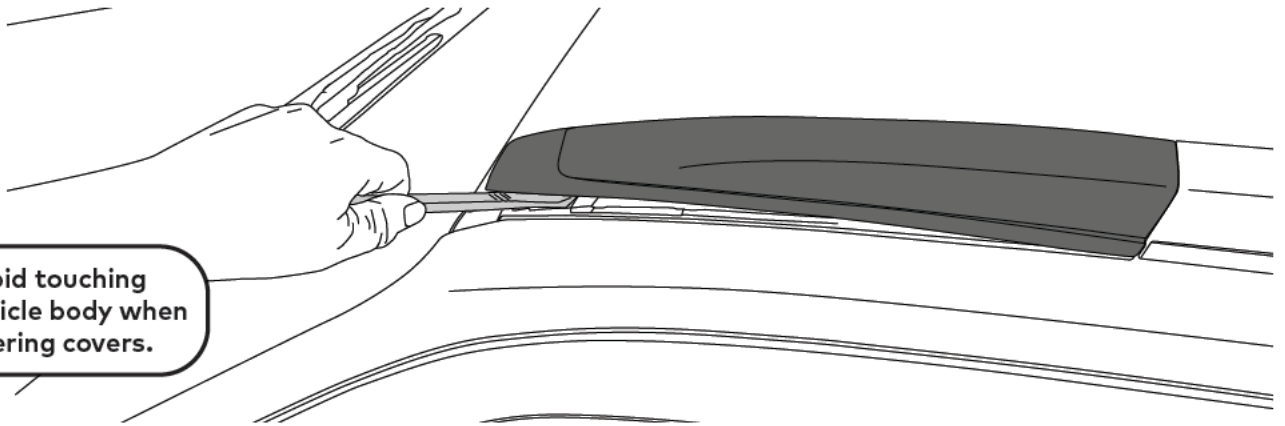
**PLATFORM & COMPONENTS SOLD SEPARATELY  
RECOMMENDED PLATFORM SIZE IS 'E' (9820341)**



## REMOVING FACTORY FLUSH ROOF RAILS - MU-X

### 1a UNCLIP PLASTIC RAIL COVERS.

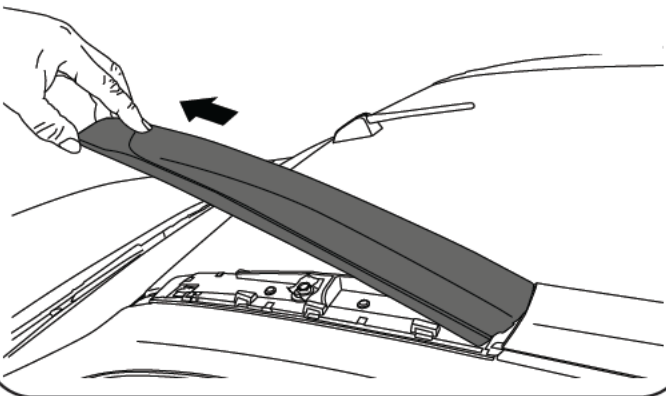
Using an appropriate trim removal tool, wedge the front of the rail covers upwards to release the internal clips.



**!** Avoid touching vehicle body when levering covers.

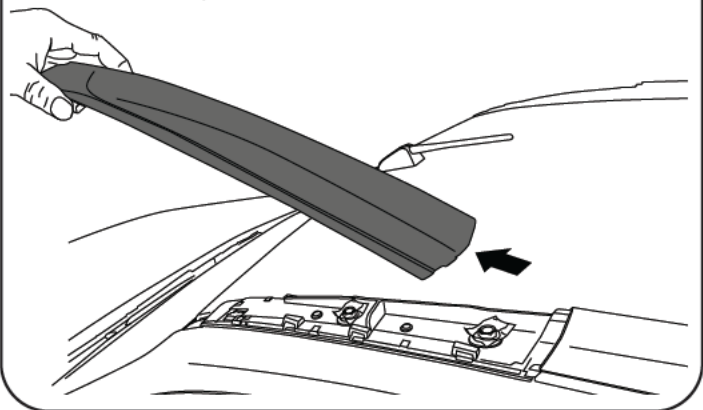
### 1b UNCLIP PLASTIC RAIL COVERS.

Lift the front of the rail covers up until the back clips disengage.



### 2 REMOVE PLASTIC RAIL COVERS.

Lift the detached covers away from the rail.



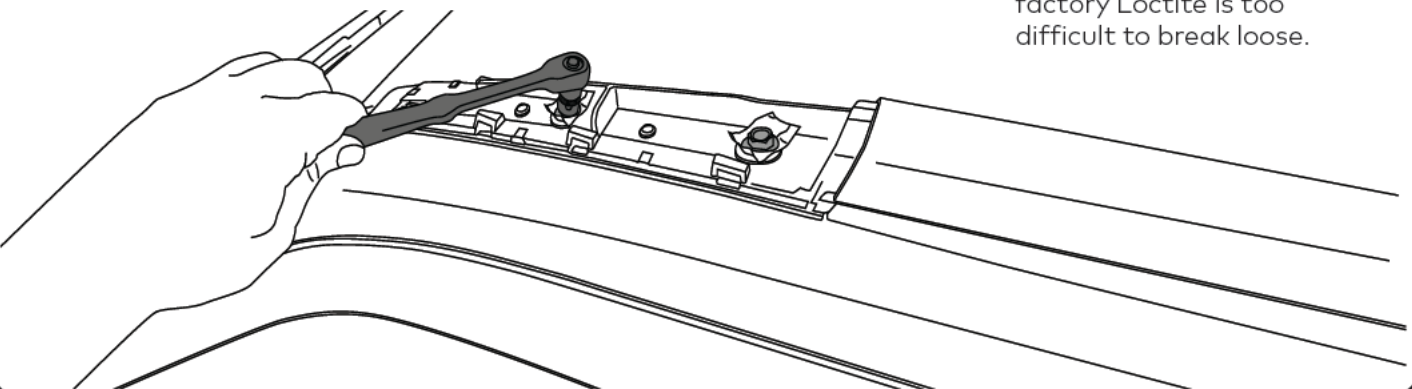
### 3 REMOVE COVER HARDWARE.

Remove exposed hardware (x2 bolts at each rail end) using a 12 mm socket wrench or breaker bar.

Complete steps 1a - 3 for front and rear covers and repeat on opposite side of vehicle.

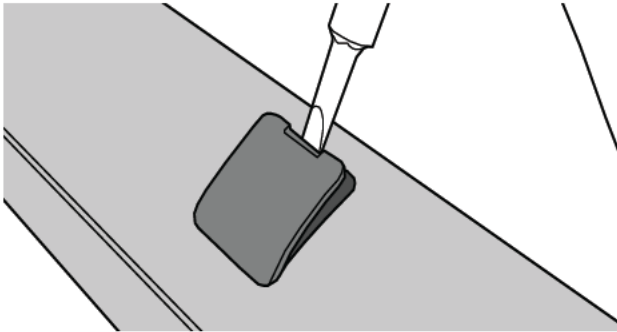
Store removed hardware away in a safe place.

**NOTE** - A rattle gun may be required if the factory Loctite is too difficult to break loose.

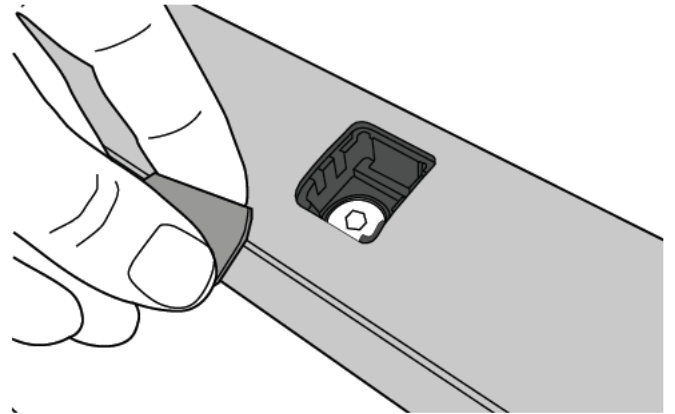


**4a****UNDO BOLT COVERS WITH SCREWDRIVERS.**

Pop open the bolt cover hatch using the flat head screwdriver.

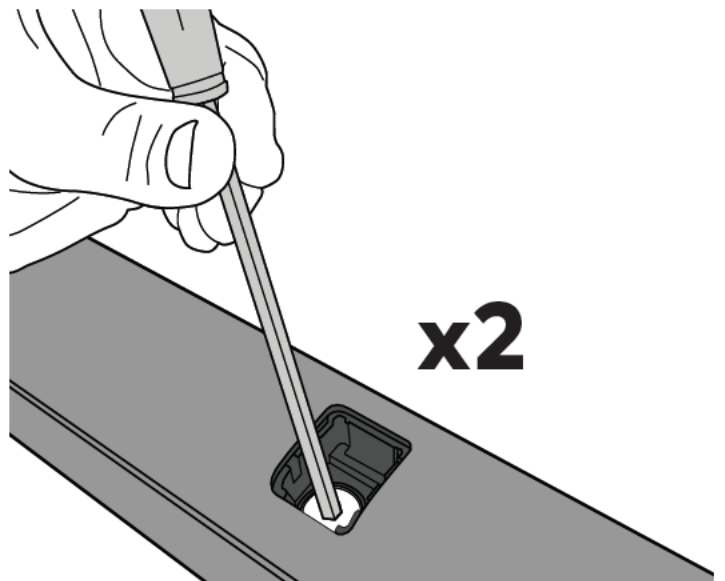
**4b****REMOVE BOLT COVERS.**

Lift away cover.

**5****REMOVE BOLT.**

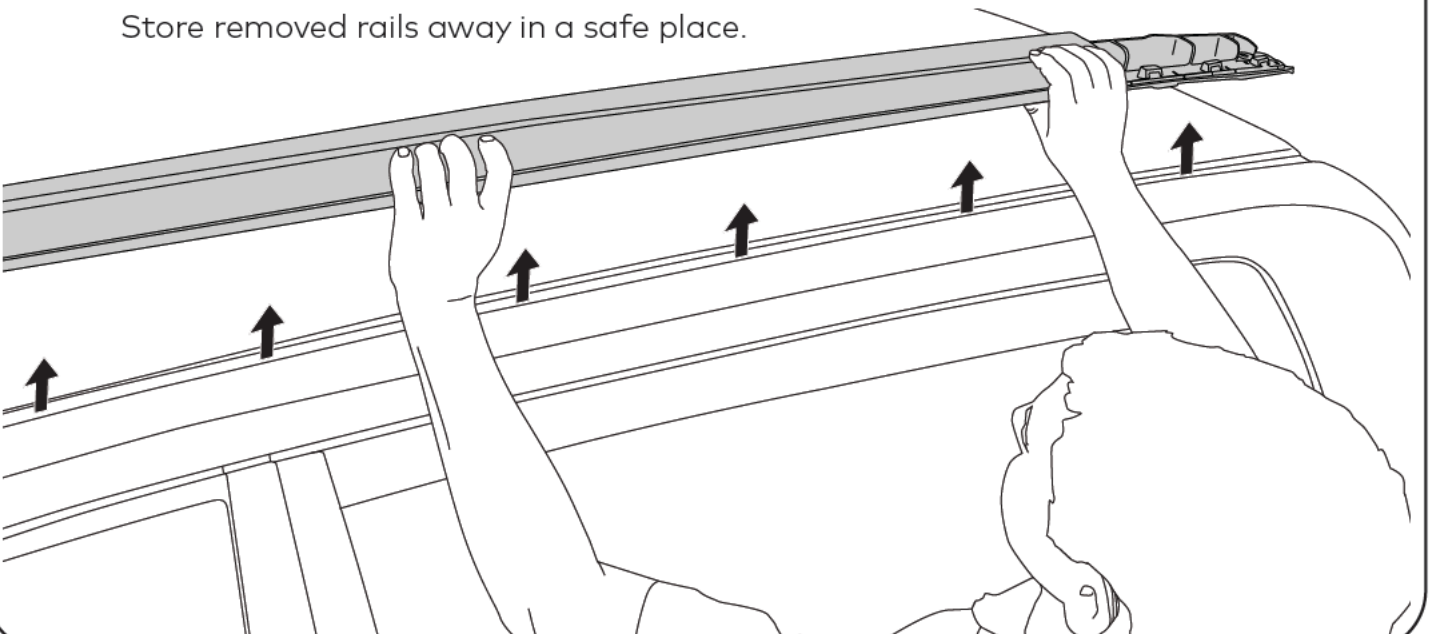
Remove both centre screws with 6 mm T-handle ball end allen key.

Repeat for both sides.

**6****REMOVE RAILS.**

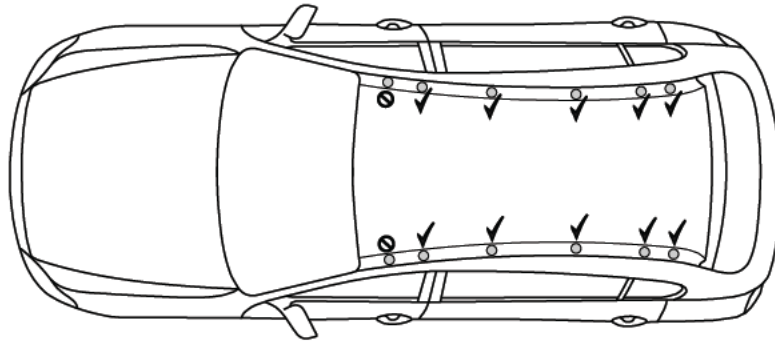
Lift roof rails upwards and carefully remove from the roof.

Store removed rails away in a safe place.



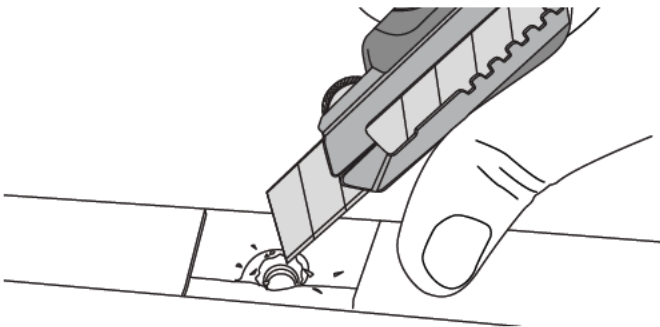
## MOUNTING RUGGEDLINE

For steps 1-7, only use the holes below when mounting each RuggedLine.



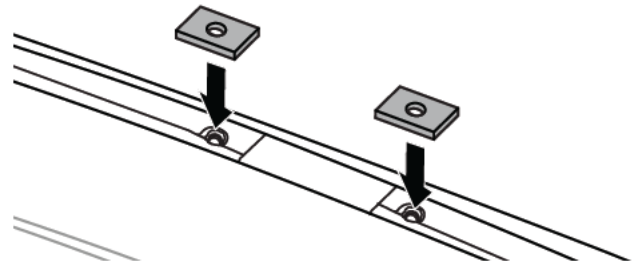
### 1 SCRAPE AWAY SEALS.

Using a utility knife, carefully scrape away the paint seals to expose mounting holes.



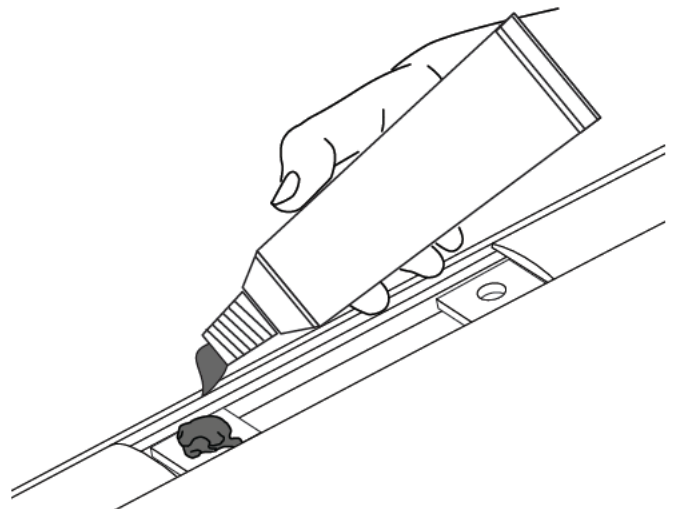
### 2 AFFIX FOAM ADHESIVE.

Carefully apply foam adhesive over the exposed holes in roof channel as marked above, lining up holes in foam with the holes in roof channel. Apply with adhesive side to vehicle.



### 3 APPLY SILICONE SEALANT.

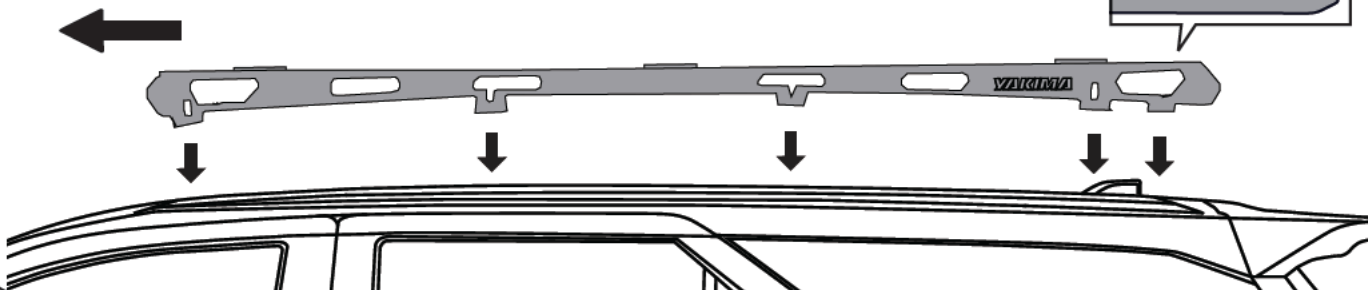
Liberal apply the supplied silicone sealant to the inside surface and on top of each hole **on one side of vehicle.**



**4****POSITION RUGGEDLINE ON VEHICLE ROOF.**

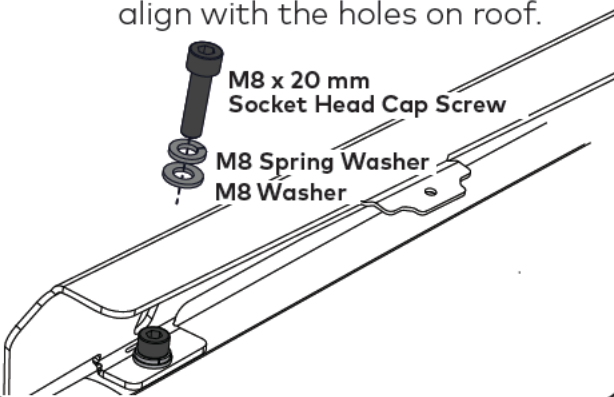
Referring to the left-right orientation on top of each RuggedLine, carefully place one side of the RuggedLine onto vehicle roof as shown. Line up the mounting holes on the bottom tabs to those exposed on the roof. The tabs are to face in towards the vehicle.

Front of vehicle

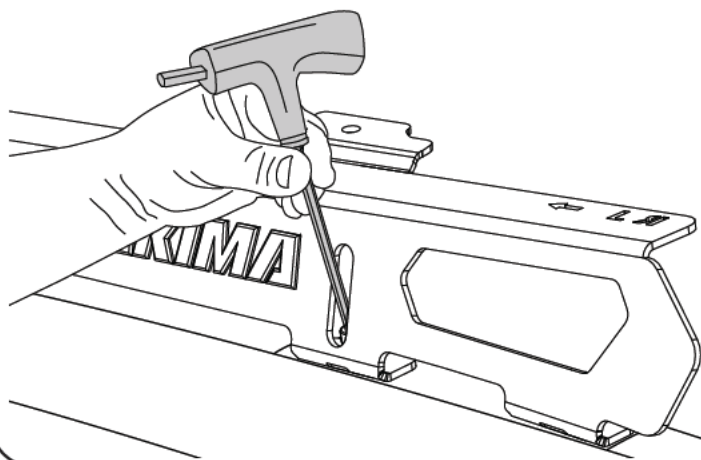
**5****ASSEMBLE RUGGEDLINE HARDWARE.**

Assemble the M8 x 20 mm socket head cap screw, M8 spring washer and washer as shown and place into mounting holes on bottom tabs of RuggedLine.

Ensure hardware and holes align with the holes on roof.

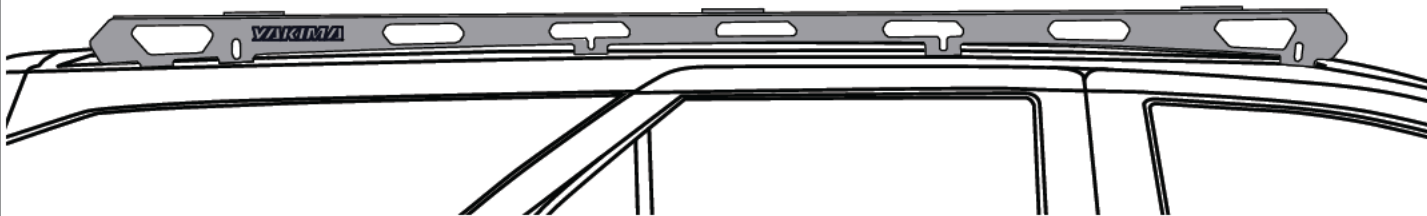
**6****TIGHTEN RUGGEDLINE HARDWARE.**

Using the 6 mm T-handle ball end allen key, and avoiding damage to the powder coat, start to carefully secure the RuggedLine by tightening the M8 socket head cap screws to 7 Nm into the mounting holes in roof.

**7****REPEAT STEPS TO OPPOSITE SIDE.**

Repeat steps 1-6 on pages 4 & 5 for securing opposite side of RuggedLine.

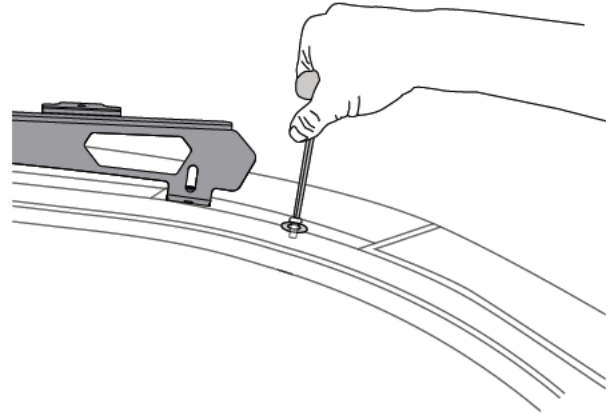
Ensure both RuggedLine are securely positioned on the vehicle roof. Check each screw is secure before proceeding to install LockNLoad platform to RuggedLine.



**8****PLUG FRONT SOCKET.**

Using the M8 x 16 mm button head cap screw, washer and silicone sealant, plug front most hole in track.

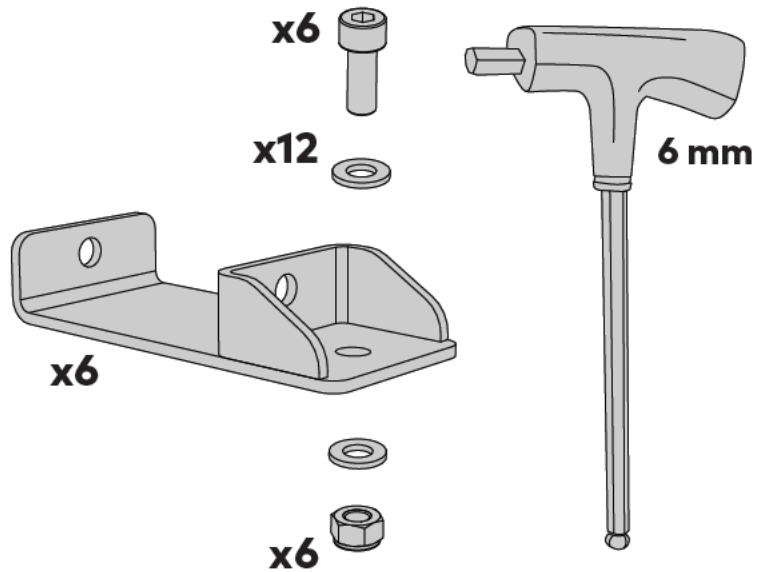
Repeat on both sides of vehicle.

**9****PIVOT BRACKET ASSEMBLIES.**

Retain the 6 mm T-handle ball end allen key and not yet installed pivot brackets, M8 x 20 mm socket head cap screws, M8 nyloc nuts and M8 washers.



These components will be required for mounting your LockNLoad platform to your newly installed RuggedLine.



**NOW SWITCH TO YOUR LOCKNLOAD PLATFORM INSTRUCTIONS AND CONTINUE FROM THE 'RUGGEDLINE MOUNTING INSTRUCTIONS' PAGE.**

This page intentionally left blank



[www.yakima.com.au](http://www.yakima.com.au)  
[www.yakima.co.nz](http://www.yakima.co.nz)  
[www.yakima.com](http://www.yakima.com)  
[www.yakima.eu](http://www.yakima.eu)

**YAKIMA AUSTRALIA PTY LTD**

17 Hinkler Court  
Brendale, QLD 4500  
Australia  
1800 143 548

**YAKIMA PRODUCTS, INC.**

4101 Kruse Way  
Lake Oswego, OR  
97035-2541  
USA  
888 925 4621  
[yakima.com/support](http://yakima.com/support)

ALL CONTENT SUBJECT TO YAKIMA AUSTRALIA PTY LTD COPYRIGHT © 2024