

MAXIMUM PRODUCT LOAD RATING: 100 kg 

IMPORTANT:

- **LOAD = WEIGHT OF PLATFORM or BARS + MOUNTING SYSTEM + ACCESSORIES + CARGO**
- **PLEASE REFER TO VEHICLE MANUFACTURER SPECIFICATIONS FOR MAX ROOF LOAD CAPACITY OF VEHICLE. THE LOWEST LOAD RATING APPLIES.**
- **OFFROAD RATING: SCAN QR CODE FOR LOCKNLOAD LOAD RATING GUIDE. REDUCTIONS MAY APPLY.**



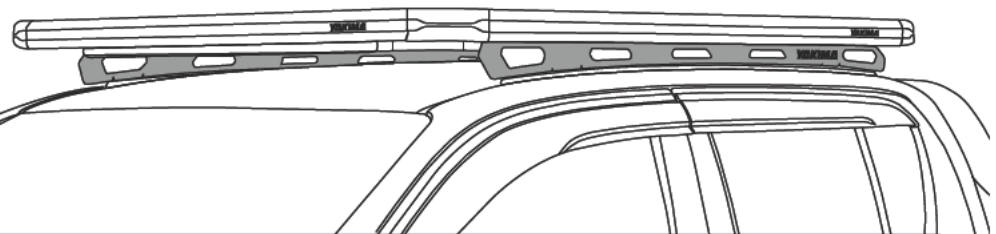
 **THIS MOUNTING KIT REQUIRES LNL TRACK KIT 8000319 TO BE INSTALLED FIRST.**

FIRST TIME INSTALLATION

- Please read instructions carefully before installation.
- Check the contents of kit. Each LockNLoad RuggedLine has the last four digits of the kit's part number lasered in. Contact your YAKIMA dealer if any parts appear missing, incorrect or damaged.
- Clean your roof thoroughly prior to fitting the LockNLoad RuggedLine.
- Place these instructions in the vehicle's glove box after installation is complete.

 **TOOLS REQUIRED:**

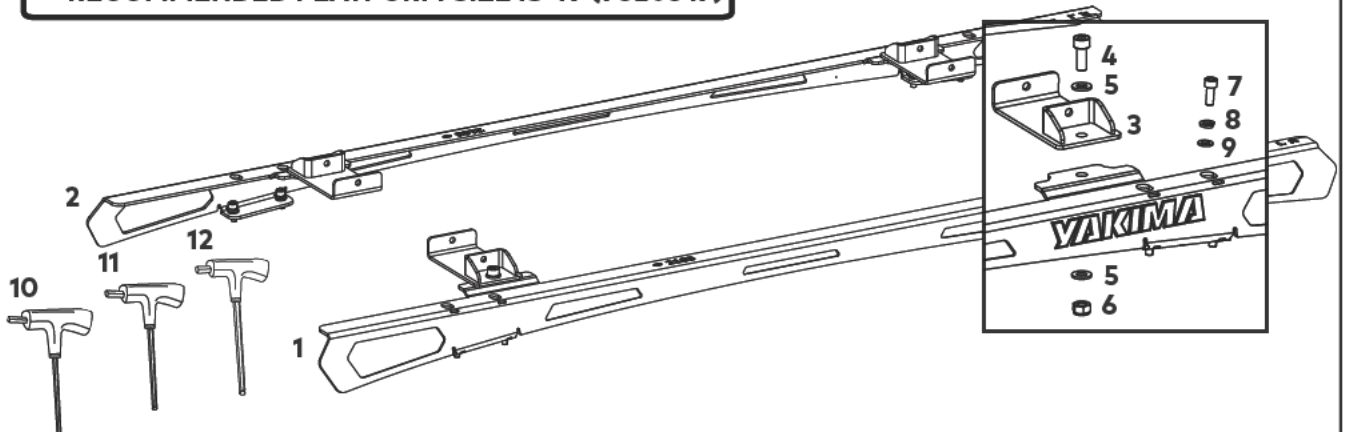
- 13 mm Spanner



KIT CONTENTS

ITEM	COMPONENT	QTY	ITEM	COMPONENT	QTY
1.	Triton MN RuggedLine LH 2103	x1	7.	M6 x 16 mm Socket Head Cap Screw	x8
2.	Triton MN RuggedLine RH 2103	x1	8.	M6 Spring Washer	x8
3.	Pivot Bracket	x4	9.	M6 Washer	x8
4.	M8 x 20 mm Socket Head Cap Screw	x4	10.	4 mm T-Handle Ball End Allen Key	x1
5.	M8 Washer	x8	11.	5 mm T-Handle Ball End Allen Key	x1
6.	M8 Nyloc Nut	x4	12.	6 mm T-Handle Ball End Allen Key	x1

 **PLATFORM & COMPONENTS SOLD SEPARATELY
RECOMMENDED PLATFORM SIZE IS 'K' (9820347)**



TRACK INSTALLATION

1

TRACK INSTALLATION IS COMPLETE.

Check both LNL Mitsubishi Triton Tracks (8000319) are secured to the vehicle as per the installation instructions (28-13-012).

For assistance contact your local Yakima dealer.

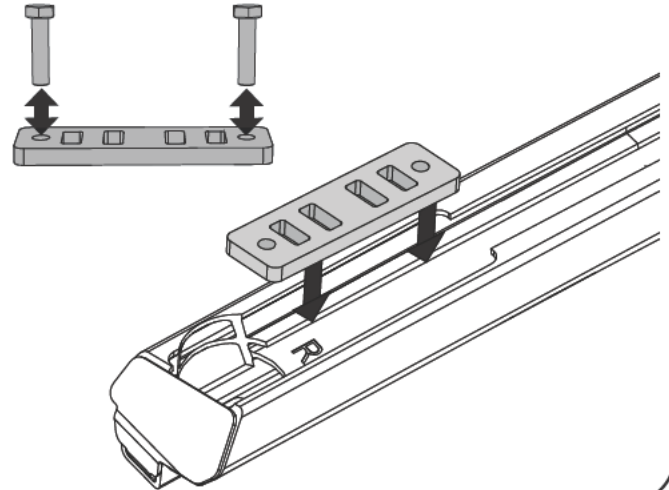


2

INSERT NUT PLATES.

Run all M6 Socket Head Cap Screws through Nut Plates (from Track kit) to remove burrs.

Insert two (2) Nut Plates into the end of Track on each side, sliding one (1) to the front of the vehicle.

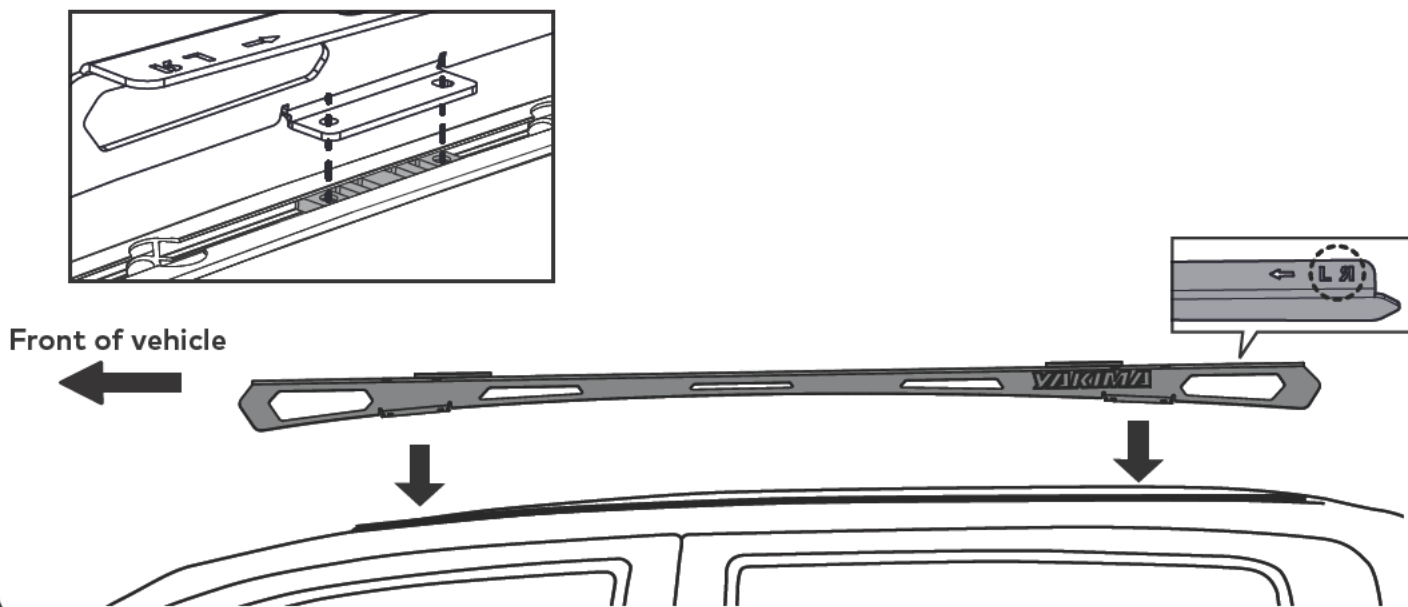


MOUNTING RUGGEDLINE

1 POSITION RUGGEDLINE ON VEHICLE ROOF.

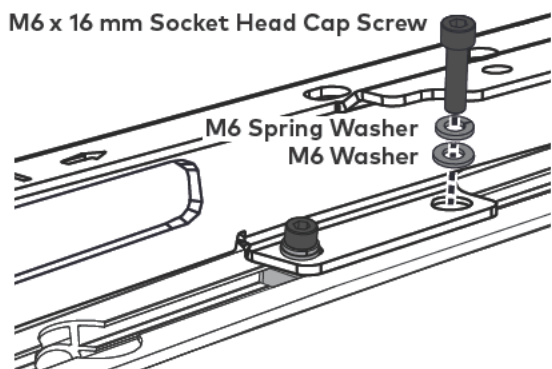
Slide the Nut Plates within Track to line up with the bottom tabs on RuggedLine. Referring to the left-right orientation on top of each RuggedLine, carefully place one side of the RuggedLine onto vehicle roof as shown. Line up the mounting holes on the bottom tabs to those exposed in the Nut Plates.

The tabs are to face in towards the vehicle.



2 ASSEMBLE RUGGEDLINE HARDWARE.

Assemble the M6 x 16 mm Socket Head Cap Screw, M6 Spring Washer and M6 Washer as shown and place into mounting holes on bottom tabs of RuggedLine. Ensure hardware and holes align with the holes in the Nut Plates.



3 TIGHTEN RUGGEDLINE HARDWARE.

Using the provided 5 mm T-Handle Ball End Allen Key, and avoiding damage to the powder coat, start to carefully secure the RuggedLine by tightening the M6 Socket Head Cap Screws to 4 Nm into the mounting holes in roof.

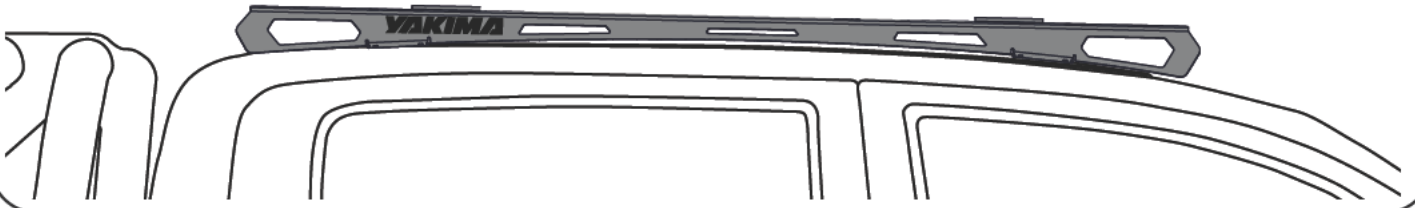


4

REPEAT STEPS TO OPPOSITE SIDE.

Repeat steps 1-3 for securing the opposite side RuggedLine.

Ensure both Spines are securely positioned on vehicle roof. Check each screw is secure before proceeding to install LockNLoad Platform to RuggedLine.



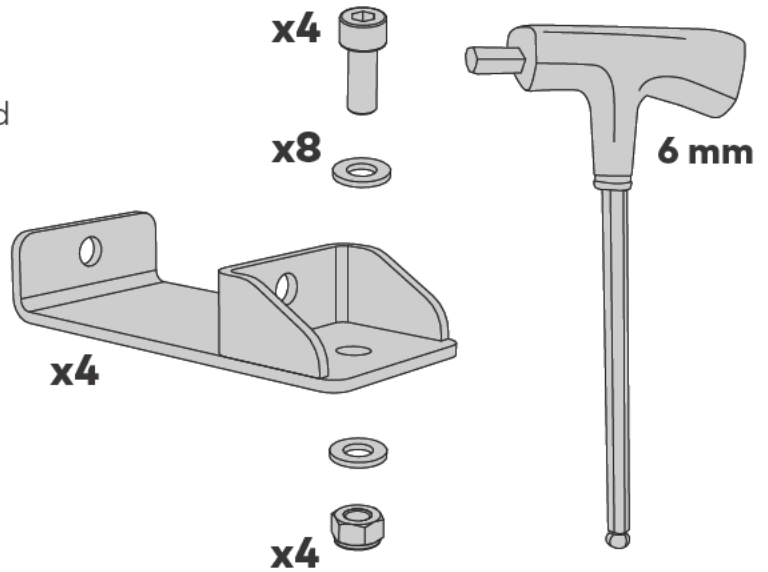
5

PIVOT BRACKET ASSEMBLIES.

Retain the 6mm T-Handle Ball End Allen Key and not yet installed Pivot Brackets, M8 x 20 mm Socket Head Cap Screws, M8 Nyloc Nuts and M8 Washers.



These components will be required for mounting your LockNLoad Platform to your newly installed RuggedLine



!

NOW SWITCH TO YOUR LOCKNLOAD PLATFORM INSTRUCTIONS AND CONTINUE FROM THE 'RUGGEDLINE MOUNTING INSTRUCTIONS' PAGE.

This page intentionally left blank



www.yakima.com.au
www.yakima.co.nz
www.yakima.com
www.yakima.eu

YAKIMA AUSTRALIA PTY LTD

17 Hinkler Court
Brendale, QLD 4500
Australia
1800 143 548

YAKIMA PRODUCTS, INC.

4101 Kruse Way
Lake Oswego, OR
97035-2541
USA
888 925 4621
yakima.com/support