



LockNLoad™ RuggedLine®

to suit NISSAN NAVARA NP300 (D23) DUAL CAB 2015-FEB 2021
and NISSAN NAVARA D23 DUAL CAB MAR 2021+
HEAVY DUTY TRACK PLATFORM MOUNTING SYSTEM

MAXIMUM PRODUCT LOAD RATING: 100 kg

IMPORTANT:

- **LOAD = WEIGHT OF PLATFORM or BARS + MOUNTING SYSTEM + ACCESSORIES + CARGO**
- **PLEASE REFER TO VEHICLE MANUFACTURER SPECIFICATIONS FOR MAX ROOF LOAD CAPACITY OF VEHICLE. THE LOWEST LOAD RATING APPLIES.**
- **OFFROAD RATING: SCAN QR CODE FOR LOCKNLOAD LOAD RATING GUIDE. REDUCTIONS MAY APPLY.**



THIS MOUNTING KIT REQUIRES LNL TRACK KIT 8000328 TO BE INSTALLED FIRST.

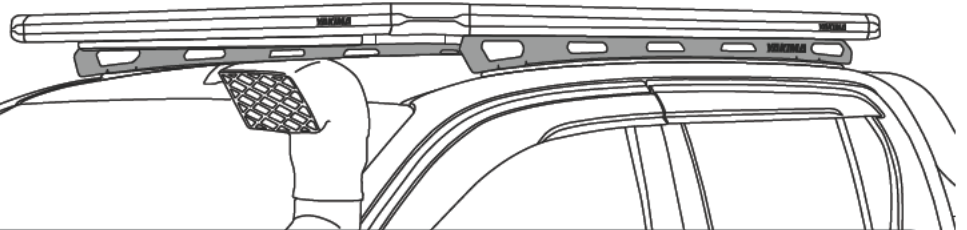
FIRST TIME INSTALLATION

- Please read instructions carefully before installation.
- Check the contents of kit. Each LockNLoad RuggedLine has the last four digits of the kit's part number lasered in. Contact your YAKIMA dealer if any parts appear missing, incorrect or damaged.
- Clean your roof thoroughly prior to fitting the LockNLoad RuggedLine.
- Place these instructions in the vehicle's glove box after installation is complete.



TOOLS REQUIRED:

- 13 mm Spanner

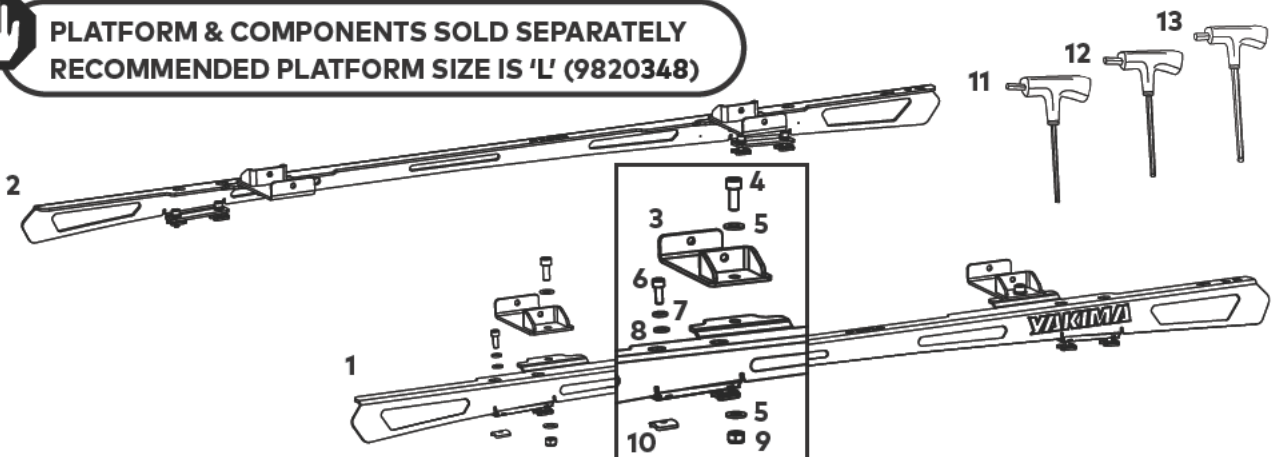


KIT CONTENTS

ITEM	COMPONENT	QTY	ITEM	COMPONENT	QTY
1.	Navara RuggedLine LH 1018	x1	8.	M6 Washer	x8
2.	Navara RuggedLine RH 1018	x1	9.	M8 Nyloc Nut	x4
3.	Pivot Bracket Assembly	x4	10.	M6 Slot Nut	x8
4.	M8 x 20 mm Socket Head Cap Screw	x4	11.	4 mm T-Handle Ball End Allen Key	x1
5.	M8 Washer	x8	12.	5 mm T-Handle Ball End Allen Key	x1
6.	M6 x 16 mm Socket Head Cap Screw	x8	13.	6 mm T-Handle Ball End Allen Key	x1
7.	M6 Spring Washer	x8			



**PLATFORM & COMPONENTS SOLD SEPARATELY
RECOMMENDED PLATFORM SIZE IS 'L' (9820348)**



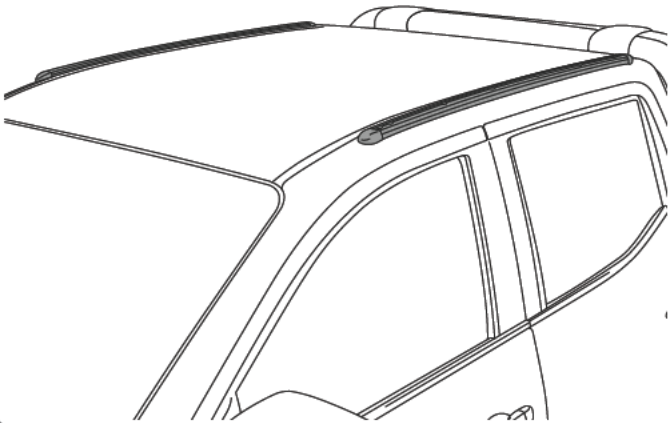
TRACK INSTALLATION

1

TRACK INSTALLATION IS COMPLETE.

Check both LNL Nissan Navara tracks (8000328) are secured to the vehicle as per the installation instructions (28-13-017).

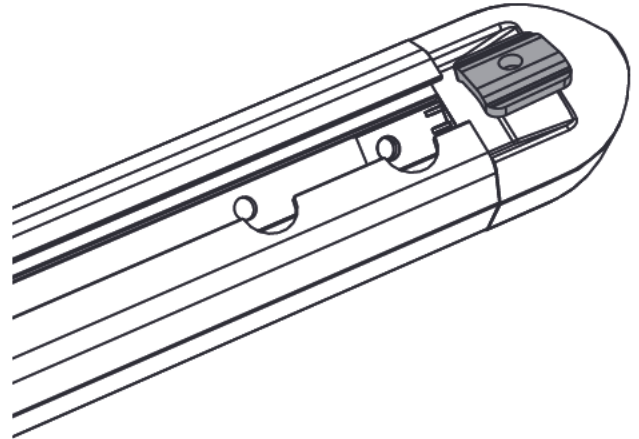
For assistance contact your local Yakima dealer.



2

INSERT SLOT NUTS.

Insert x4 M6 slot nuts into the end of each track via the rear end plugs as shown.

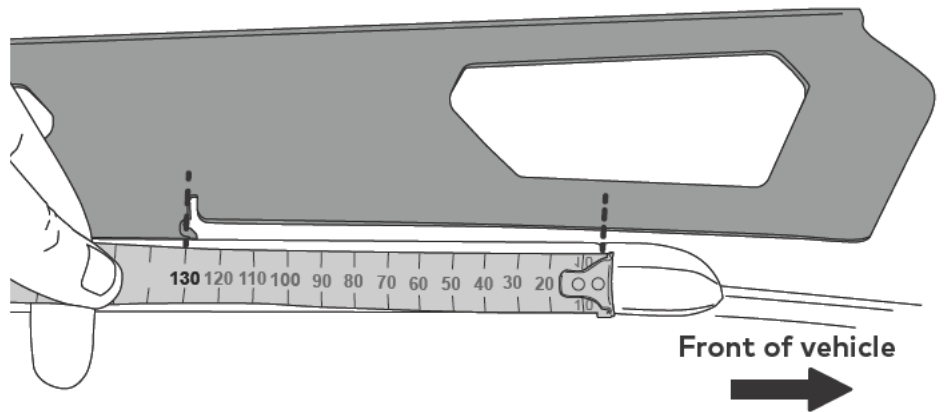


MOUNTING RUGGEDLINE

1

RECOMMENDED RUGGEDLINE TO TRACK POSITIONING.

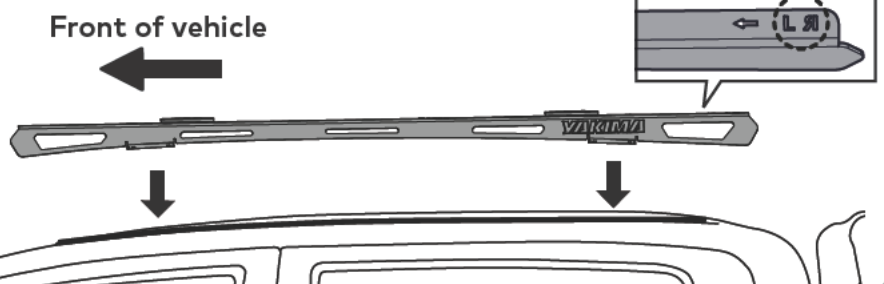
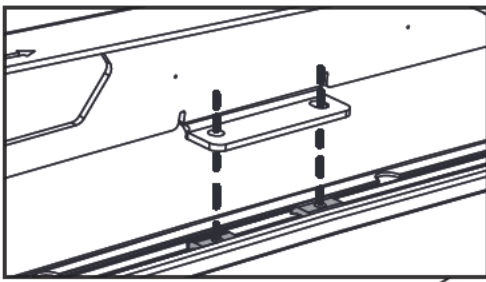
The front edge of the first tab of the RuggedLine is recommended to be placed 130 mm back from the end of the track end plug as shown.



2

PLACE RUGGEDLINE ONTO TRACKS.

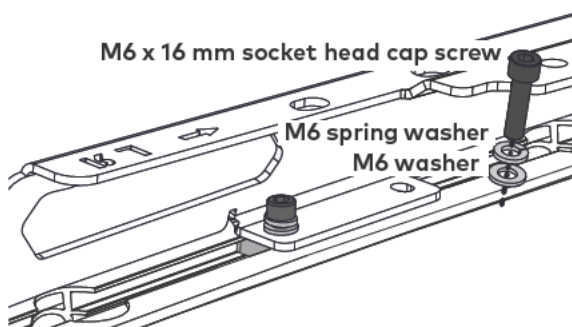
Slide the slot nuts within track to line up with the bottom tabs on RuggedLine. Referring to the left-right orientation on top of each RuggedLine, carefully place one side of the RuggedLine onto tracks on vehicle roof as shown. Line up the mounting holes on the tabs to those in the slot nuts. The tabs are to face in towards the vehicle.



3

ASSEMBLE RUGGEDLINE HARDWARE.

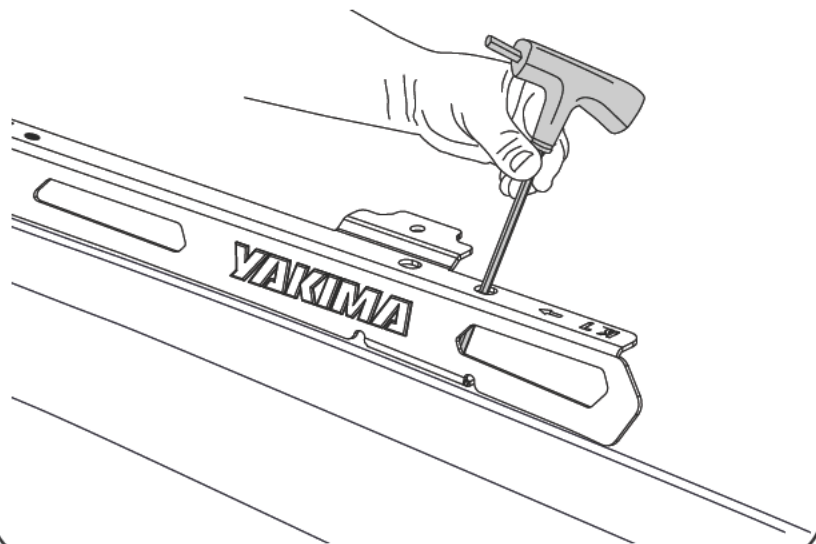
Assemble the M6 x 16 mm socket head cap screw, M6 spring washer and M6 washer as shown and place into mounting holes on bottom tabs of RuggedLine. Ensure hardware and holes align with the slot nuts.



4

TIGHTEN RUGGEDLINE HARDWARE.

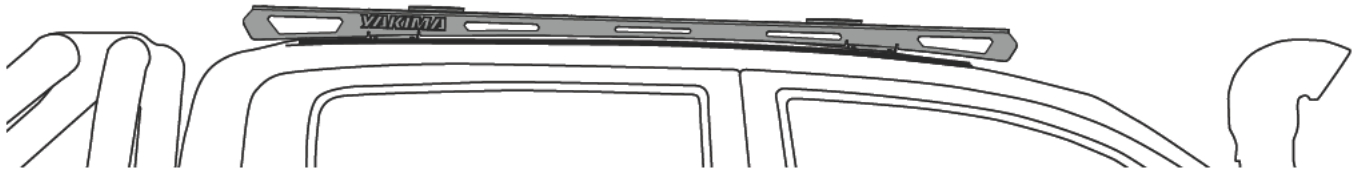
Using the provided 5 mm T-handle ball end allen key, and avoiding damage to the powder coat, start to carefully secure the RuggedLine by tightening the M6 socket head cap screws to 4 Nm into the slot nuts in track.



5 REPEAT STEPS TO OPPOSITE SIDE.

Repeat steps 1-4 for securing opposite side of RuggedLine.

Ensure both RuggedLine are securely positioned on vehicle roof. Check each screw is secure before proceeding to install LockNLoad platform to RuggedLine.

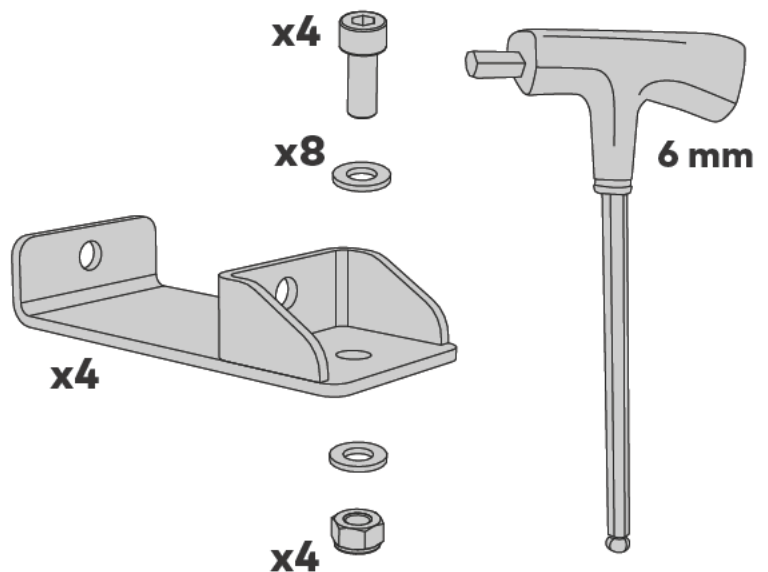


6 PIVOT BRACKET ASSEMBLIES.

Retain the 6 mm T-handle ball end allen key and not yet installed pivot brackets, M8 x 20 mm socket head cap screws, M8 nyloc nuts and M8 washers.



These components will be required for mounting your LockNLoad platform to your newly installed RuggedLine.



NOW SWITCH TO YOUR LOCKNLOAD PLATFORM INSTRUCTIONS AND CONTINUE FROM THE 'RUGGEDLINE MOUNTING INSTRUCTIONS' PAGE.

This page intentionally left blank



www.yakima.com.au
www.yakima.co.nz
www.yakima.com
www.yakima.eu

YAKIMA AUSTRALIA PTY LTD

17 Hinkler Court
Brendale, QLD 4500
Australia
1800 143 548
yakimaglobal.com

YAKIMA PRODUCTS, INC.

4101 Kruse Way
Lake Oswego, OR
97035-2541
USA
888 925 4621
yakima.com/support

ALL CONTENT SUBJECT TO YAKIMA AUSTRALIA PTY LTD COPYRIGHT © 2021