

MAXIMUM PRODUCT LOAD RATING: 100 kg 

IMPORTANT:

- **LOAD = WEIGHT OF PLATFORM or BARS + MOUNTING SYSTEM + ACCESSORIES + CARGO**
- **PLEASE REFER TO VEHICLE MANUFACTURER SPECIFICATIONS FOR MAX ROOF LOAD CAPACITY OF VEHICLE. THE LOWEST LOAD RATING APPLIES.**
- **OFFROAD RATING: SCAN QR CODE FOR LOCKNLOAD LOAD RATING GUIDE. REDUCTIONS MAY APPLY.**



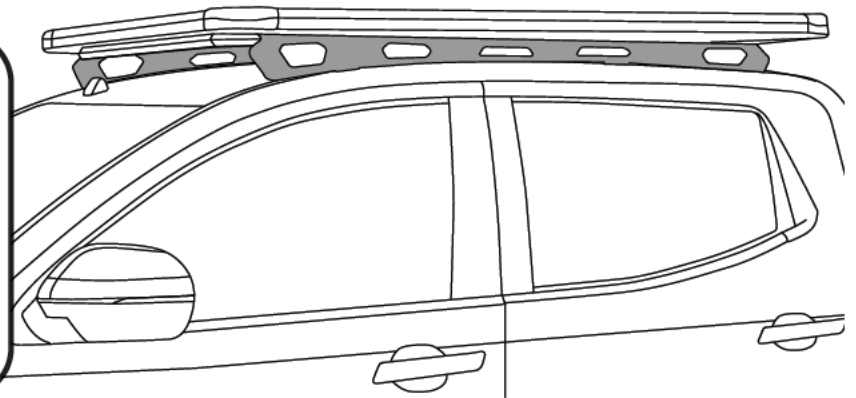
FIRST TIME INSTALLATION

- Please read instructions carefully before installation.
- Check the contents of kit. Each LockNLoad RuggedLine has the last four digits of the kit's part number lasered in. Contact your YAKIMA dealer if any parts appear missing, incorrect or damaged.
- Clean your roof thoroughly prior to fitting the LockNLoad RuggedLine.
- Place these instructions in the vehicle's glove box after installation is complete.



TOOLS REQUIRED:

- Measuring Tape
- Marking Pen
- Tin Snips
- 13 mm Spanner
- Trim Removal Tool
- 12 mm Socket Wrench
- 12 mm Breaker Bar (optional)
- Rattle Gun (optional)

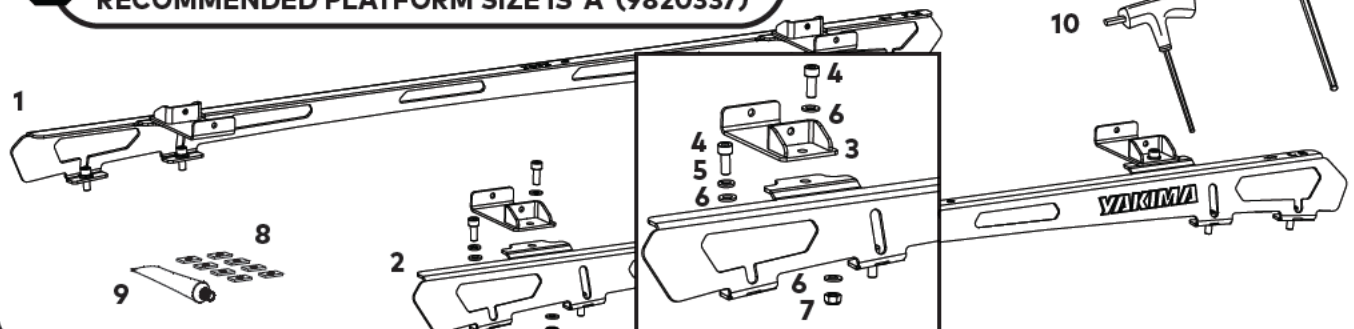


KIT CONTENTS

ITEM	COMPONENT	QTY	ITEM	COMPONENT	QTY
1.	D-Max / BT-50 2020+ RuggedLine RH 1012	x1	7.	M8 Nyloc Nut	x4
2.	D-Max / BT-50 2020+ RuggedLine LH 1012	x1	8.	Foam Adhesive	x8
3.	Pivot Bracket	x4	9.	Silicone Sealant	x1
4.	M8 x 20 mm Socket Head Cap Screw	x12	10.	4 mm T-Handle Ball End Allen Key	x1
5.	M8 Spring Washer	x8	11.	6 mm T-Handle Ball End Allen Key	x1
6.	M8 Washer	x16			



**PLATFORM & COMPONENTS SOLD SEPARATELY
RECOMMENDED PLATFORM SIZE IS 'A' (9820337)**

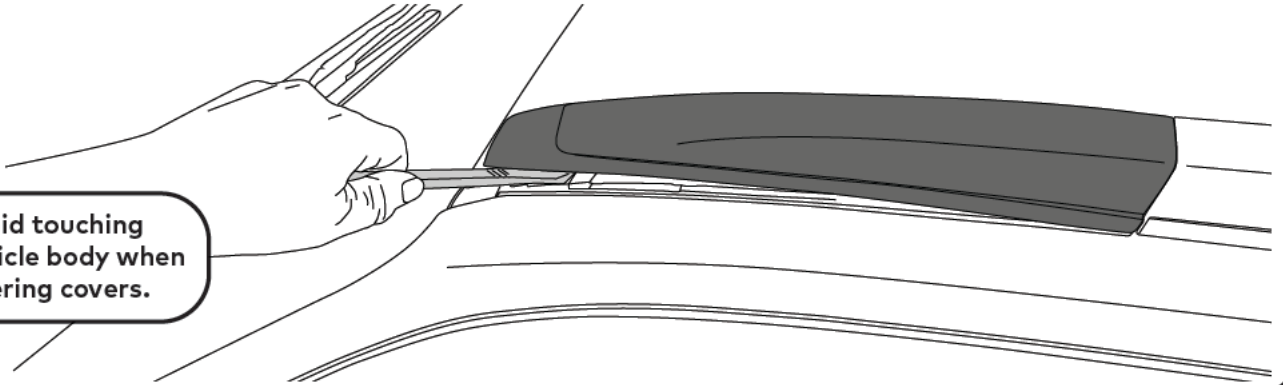


REMOVING FACTORY FLUSH ROOF RAILS - D-MAX X-TERRAIN

1a UNCLIP PLASTIC RAIL COVERS.

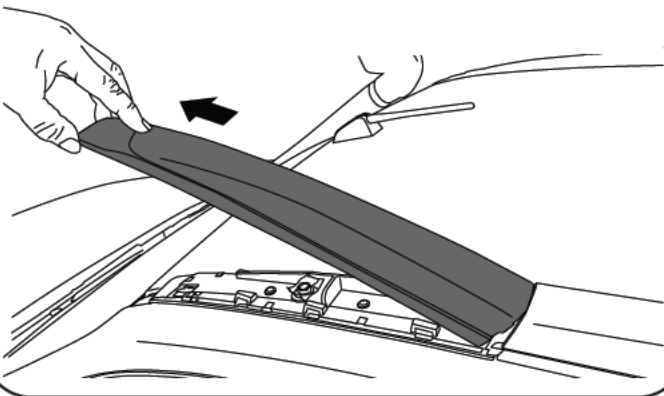
Using an appropriate trim removal tool, wedge the front of the rail covers upwards to release the internal clips.

! Avoid touching vehicle body when levering covers.



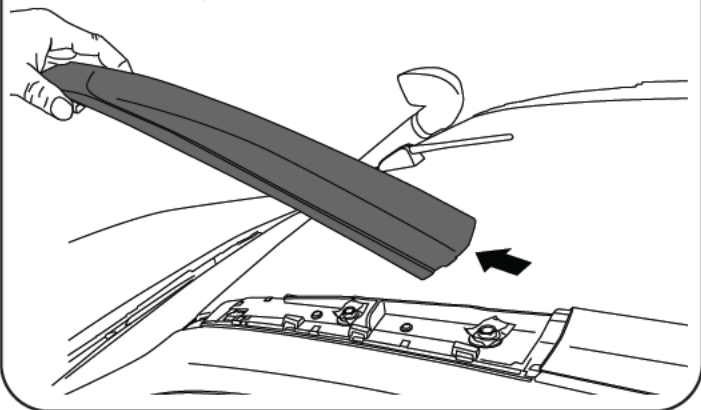
1b UNCLIP PLASTIC RAIL COVERS.

Lift the front of the rail covers up until the back clips disengage.



2 REMOVE PLASTIC RAIL COVERS.

Lift the detached covers away from the rail.



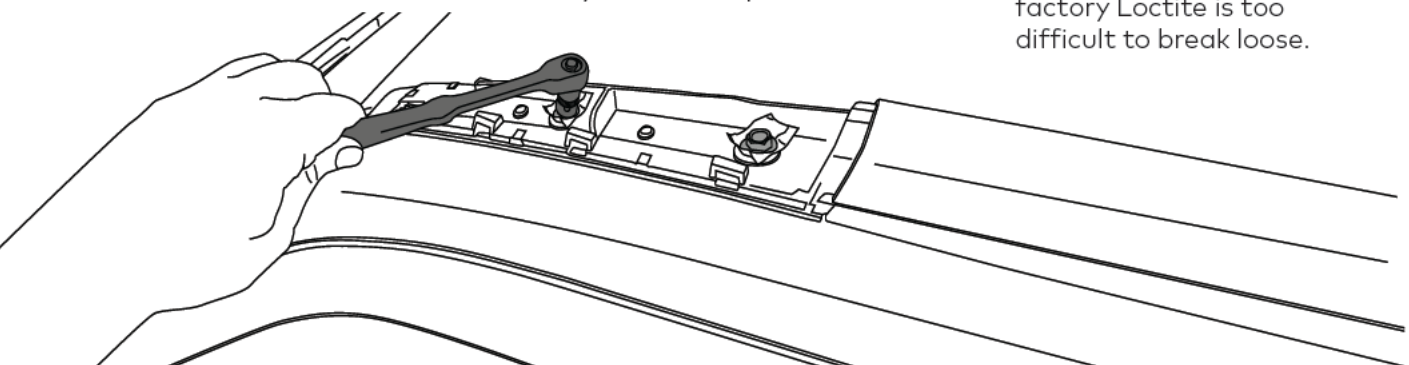
3 REMOVE COVER HARDWARE.

Remove exposed hardware (x2 bolts at each rail end) using a 12 mm socket wrench or breaker bar.

Complete steps 1a-3 for front and rear covers and repeat on opposite side of vehicle.

Store removed hardware away in a safe place.

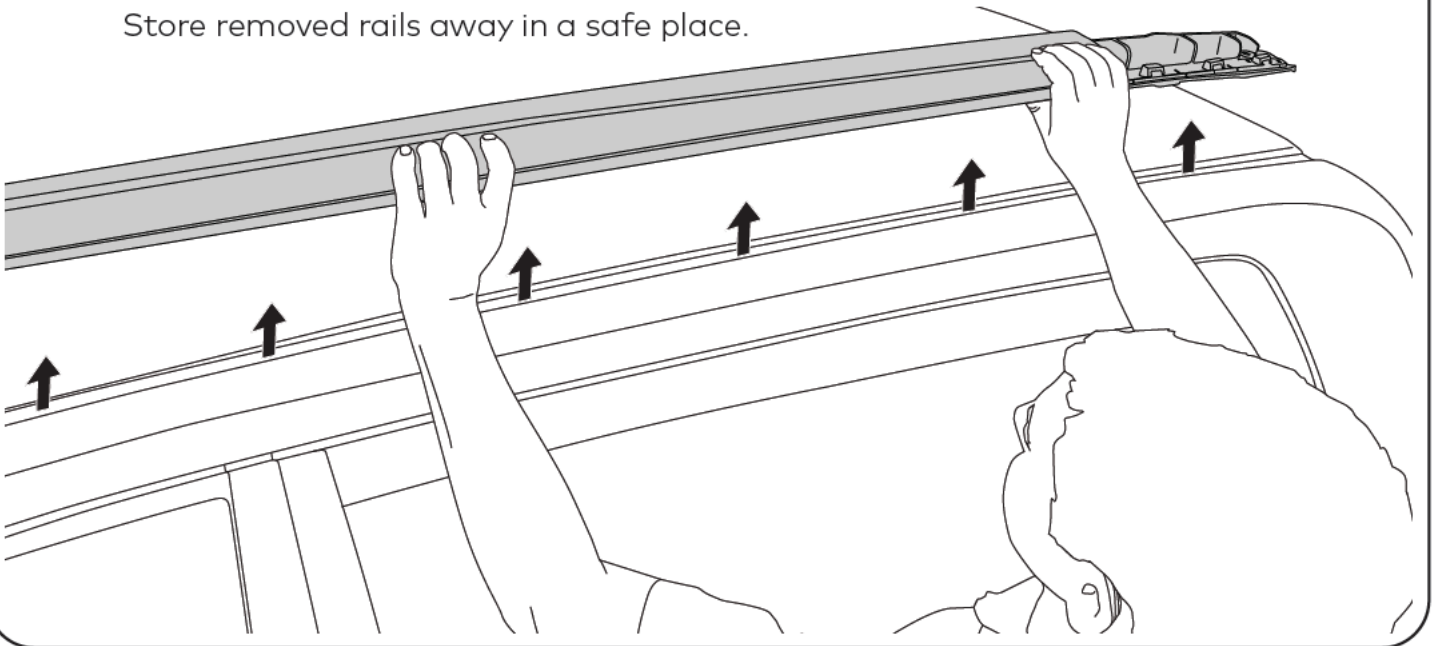
NOTE - A rattle gun may be required if the factory Loctite is too difficult to break loose.



4**REMOVE RAILS.**

Lift roof rails upwards and carefully remove from the roof.

Store removed rails away in a safe place.

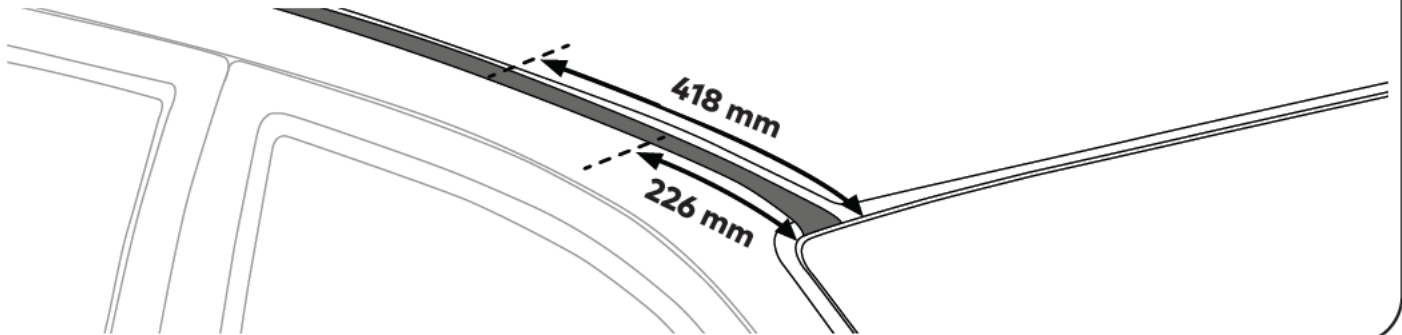


PROCEED TO PAGE 5 AND CONTINUE FROM STEP 2 OF THE MOUNTING RUGGEDLINE PAGE.

REVEAL MOUNTING POINTS (BARE ROOF MODELS)

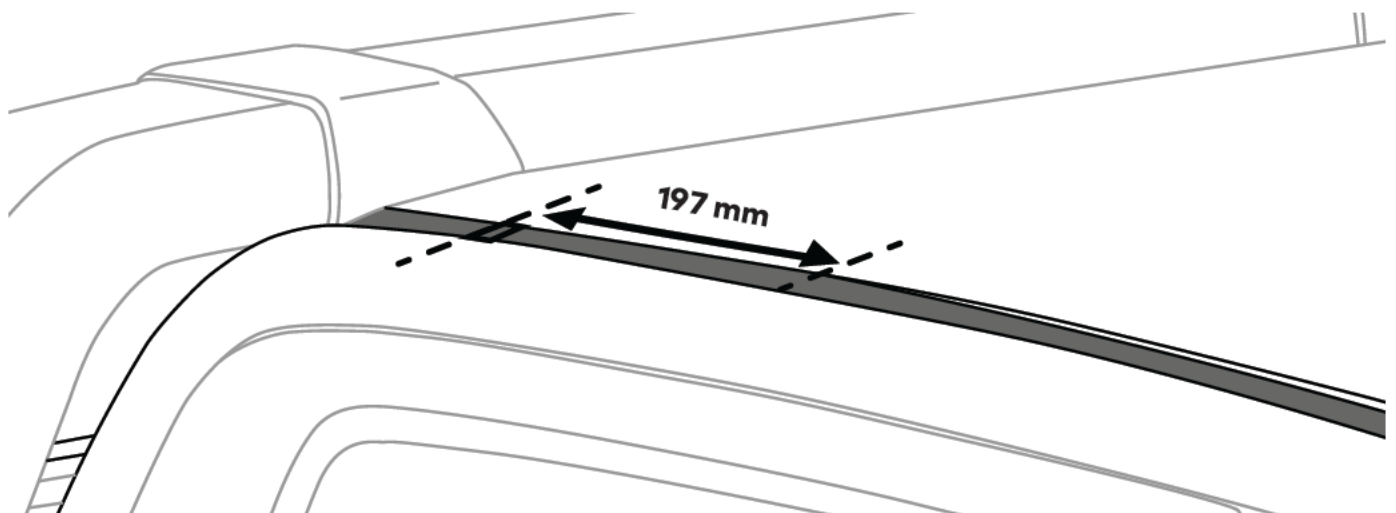
1 MEASURE FRONT ROOF TRIM.

Using a measuring tape, measure 226 mm and 418 mm back from the front of the roof trim at edge of windscreen and mark each measurement on trim with a pen.



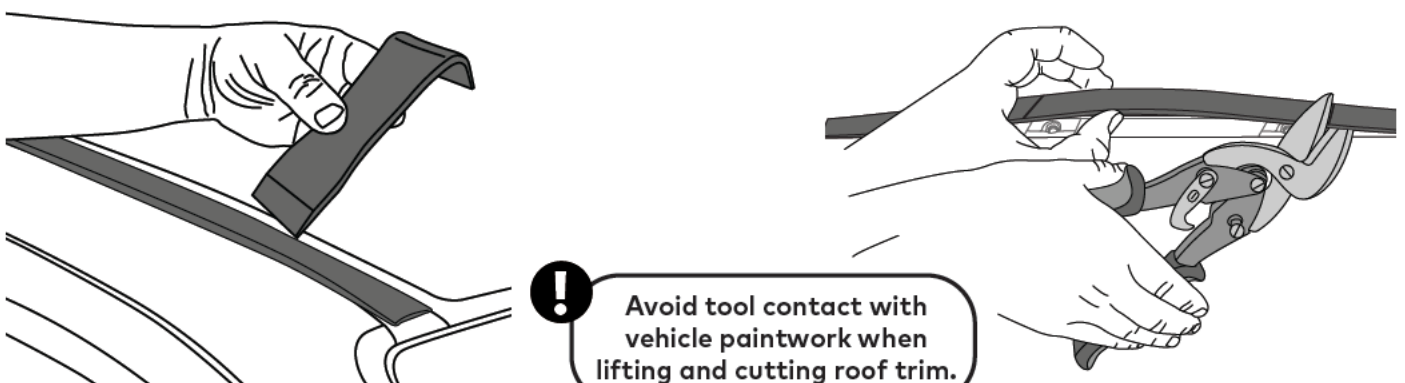
2 MEASURE REAR ROOF TRIM.

Using a measuring tape, measure 197 mm **from the start of the visible join** in the rear roof trim and mark measurement on trim with a pen.



3 CUT ROOF TRIM.

Using fingers and an appropriate trim removal tool, carefully lift up the roof trim and using a pair of tin snips, cut the trim at measured sections from steps 1 and 2.

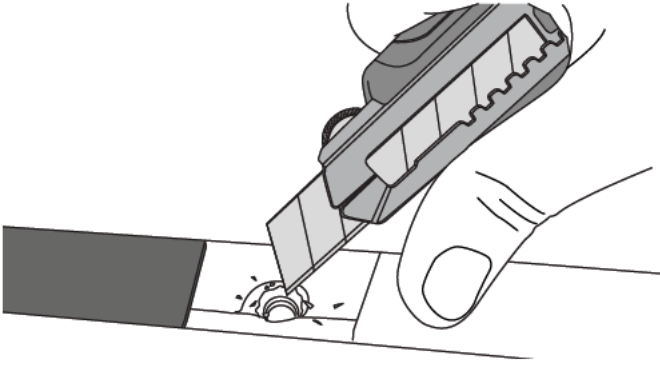


MOUNTING RUGGEDLINE

1

SCRAPE AWAY SEALS.

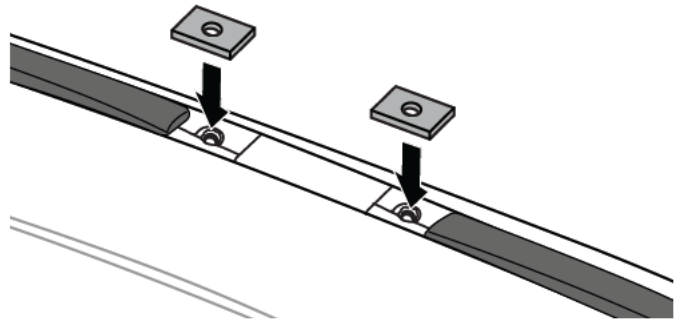
Using a stanley knife, carefully scrape away the paint seals to expose mounting holes.



2

AFFIX FOAM ADHESIVE.

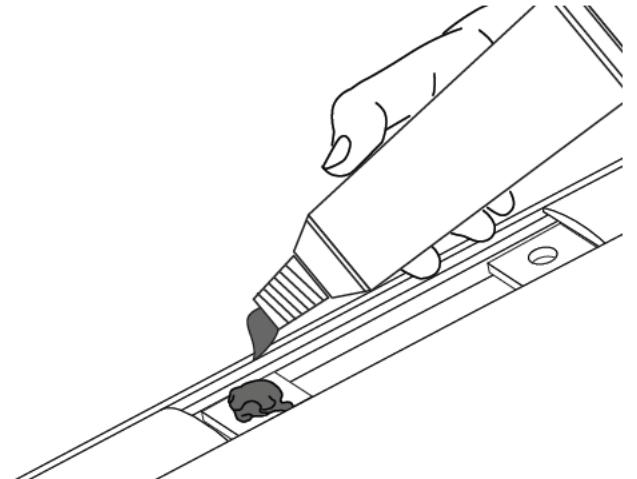
Carefully apply foam adhesive over all the exposed holes in roof channel, lining up holes in foam with the holes in roof channel. Apply with adhesive side to vehicle.



3

APPLY SILICONE SEALANT.

Liberaly apply the supplied silicone sealant to the inside surface and on top of each hole **on one side of vehicle.**

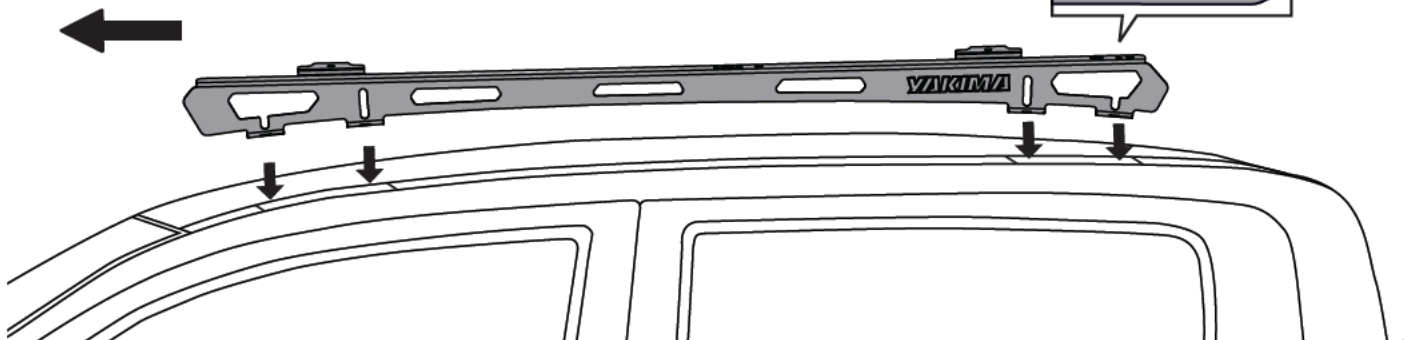


4

POSITION RUGGEDLINE ON VEHICLE ROOF.

Referring to the left-right orientation on top of each RuggedLine, carefully place one side of the RuggedLine onto vehicle roof as shown. Line up the mounting holes on the bottom tabs to those exposed on the roof. The tabs are to face in towards the vehicle.

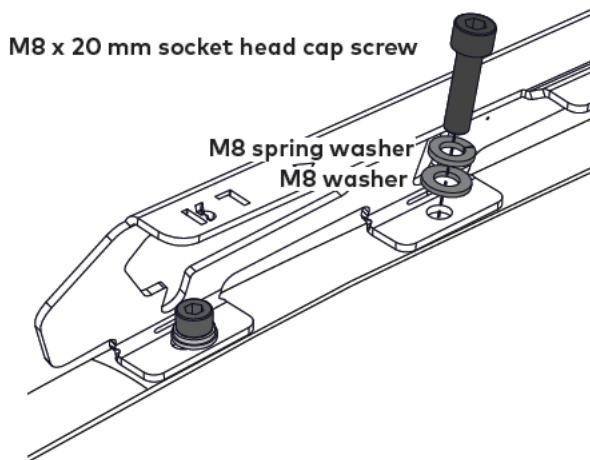
Front of vehicle



5 ASSEMBLE RUGGEDLINE HARDWARE.

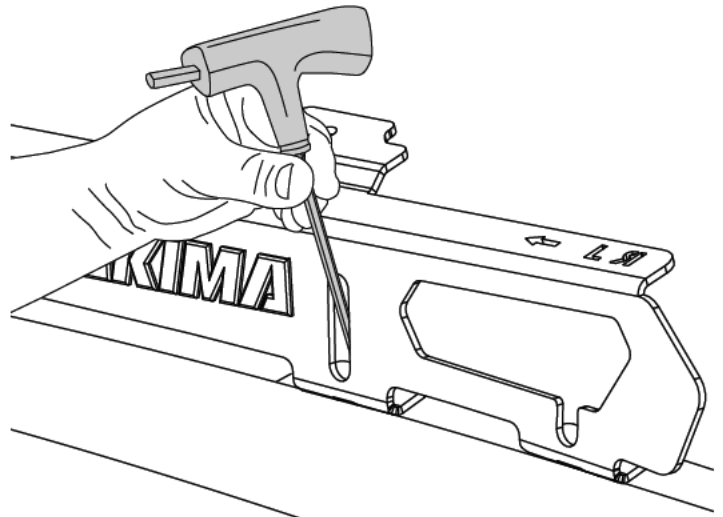
Assemble the M8 x 20 mm socket head cap screw, M8 spring washer and washer as shown and place into mounting holes on bottom tabs of RuggedLine.

Ensure hardware and holes align with the holes on roof.



6 TIGHTEN RUGGEDLINE HARDWARE.

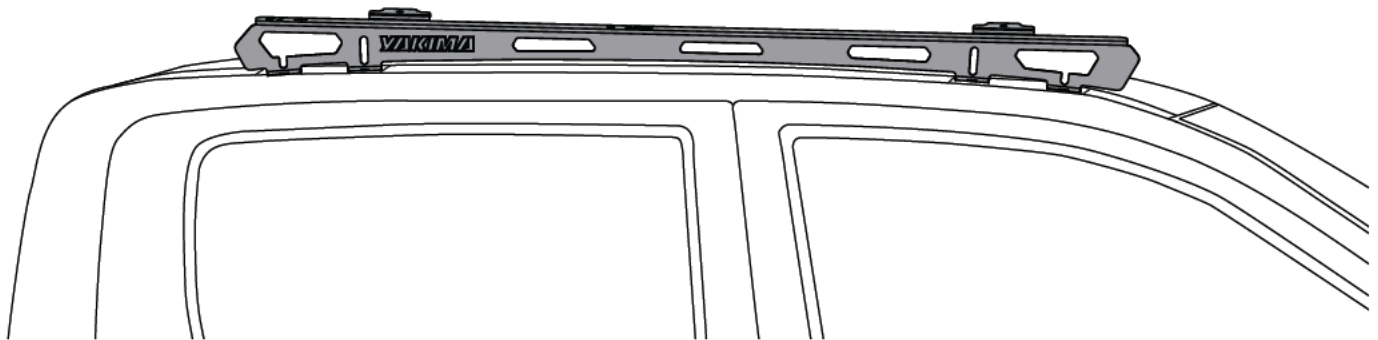
Using the 6 mm T-handle ball end allen key, and avoiding damage to the powder coat, start to carefully secure the RuggedLine by tightening the M8 socket head cap screws to 7 Nm into the mounting holes in roof.



7 REPEAT STEPS TO OPPOSITE SIDE.

Repeat steps 1-6 on pages 5 & 6 for securing opposite side of RuggedLine.

Ensure both RuggedLine are securely positioned on vehicle roof. Check each screw is secure before proceeding to install LockNLoad platform to your RuggedLine.



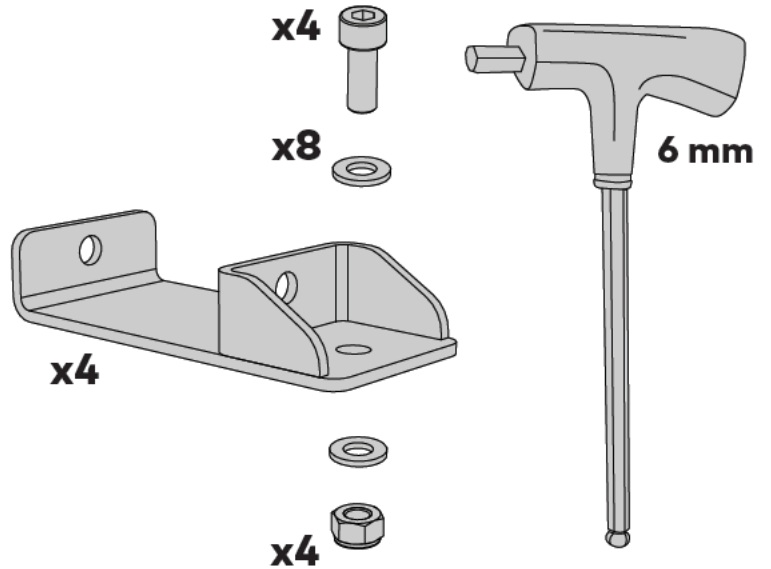
8

PIVOT BRACKET ASSEMBLIES.

Retain the 6 mm T-handle ball end allen key and not yet installed pivot brackets, M8 x 20 mm socket head cap screws, M8 nyloc nuts and M8 washers.



These components will be required for mounting your LockNLoad platform to your newly installed RuggedLine.



NOW SWITCH TO YOUR LOCKNLOAD PLATFORM INSTRUCTIONS AND CONTINUE FROM THE 'RUGGEDLINE MOUNTING INSTRUCTIONS' PAGE.



www.yakima.com.au
www.yakima.co.nz
www.yakima.com
www.yakima.eu

YAKIMA AUSTRALIA PTY LTD

17 Hinkler Court
Brendale, QLD 4500
Australia
1800 143 548

YAKIMA PRODUCTS, INC.

4101 Kruse Way
Lake Oswego, OR
97035-2541
USA
888 925 4621
yakima.com/support

ALL CONTENT SUBJECT TO YAKIMA AUSTRALIA PTY LTD COPYRIGHT © 2024