

MAXIMUM PRODUCT LOAD RATING: 100 kg 

IMPORTANT:

- **LOAD = WEIGHT OF PLATFORM or BARS + MOUNTING SYSTEM + ACCESSORIES + CARGO**
- **PLEASE REFER TO VEHICLE MANUFACTURER SPECIFICATIONS FOR MAX ROOF LOAD CAPACITY OF VEHICLE. THE LOWEST LOAD RATING APPLIES.**
- **OFFROAD RATING: SCAN QR CODE FOR LOCKNLOAD LOAD RATING GUIDE. REDUCTIONS MAY APPLY.**



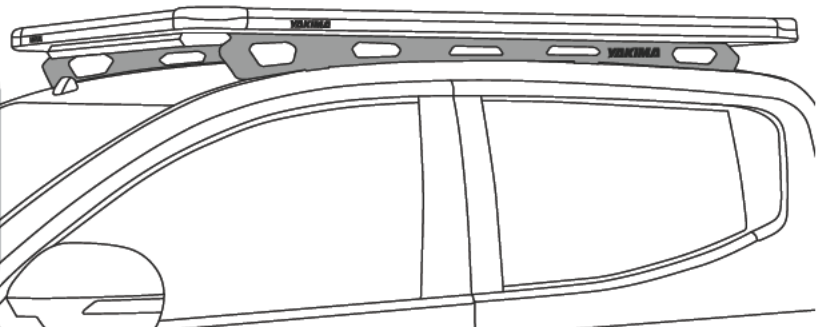
FIRST TIME INSTALLATION

- Please read instructions carefully before installation.
- Check the contents of kit. Each LockNLoad RuggedLine has the last four digits of the kit's part number lasered in. Contact your YAKIMA dealer if any parts appear missing, incorrect or damaged.
- Clean your roof thoroughly prior to fitting the LockNLoad RuggedLine.
- Place these instructions in the vehicle's glove box after installation is complete.



TOOLS REQUIRED:

- Measuring Tape
- Cutters/Scissors
- 10 mm Socket Wrench
- 13 mm Spanner
- Trim Removal Tool

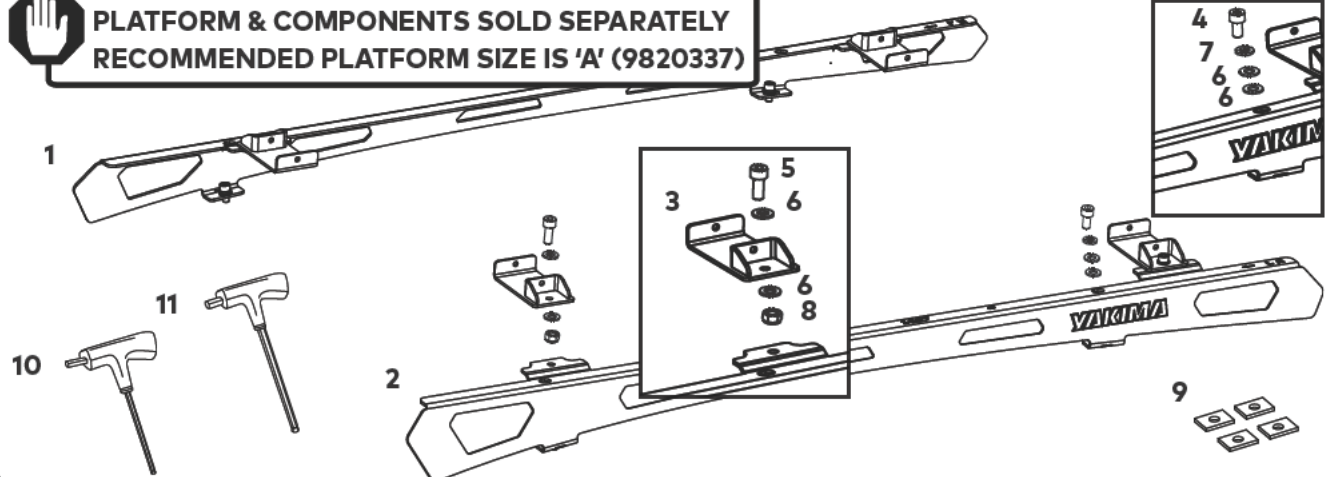


KIT CONTENTS

ITEM	COMPONENT	QTY	ITEM	COMPONENT	QTY
1.	Triton RuggedLine RH 1007	x1	7.	M8 Spring Washer	x4
2.	Triton RuggedLine LH 1007	x1	8.	M8 Nyloc Nut	x4
3.	Pivot Bracket	x4	9.	Foam Adhesive	x4
4.	M8 x 16 mm Socket Head Cap Screw	x4	10.	4 mm T-Handle Ball End Allen Key	x1
5.	M8 x 20 mm Socket Head Cap Screw	x4	11.	6 mm T-Handle Ball End Allen Key	x1
6.	M8 Washer	x16			



**PLATFORM & COMPONENTS SOLD SEPARATELY
RECOMMENDED PLATFORM SIZE IS 'A' (9820337)**

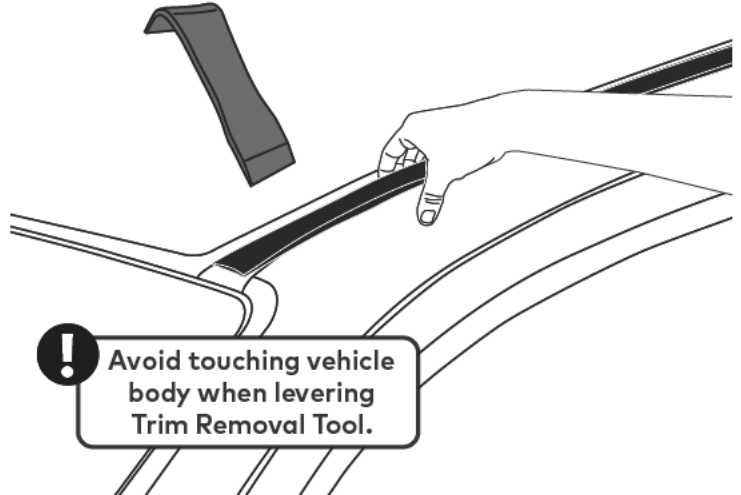


REMOVING AND RE-INSTALLING ROOF TRIM

1 REMOVE RUBBER ROOF TRIM.

Gently lever the rubber roof channel trim with a Trim Removal Tool. Then using fingertips pull upwards and unhook trim from metal clips in roof channel.

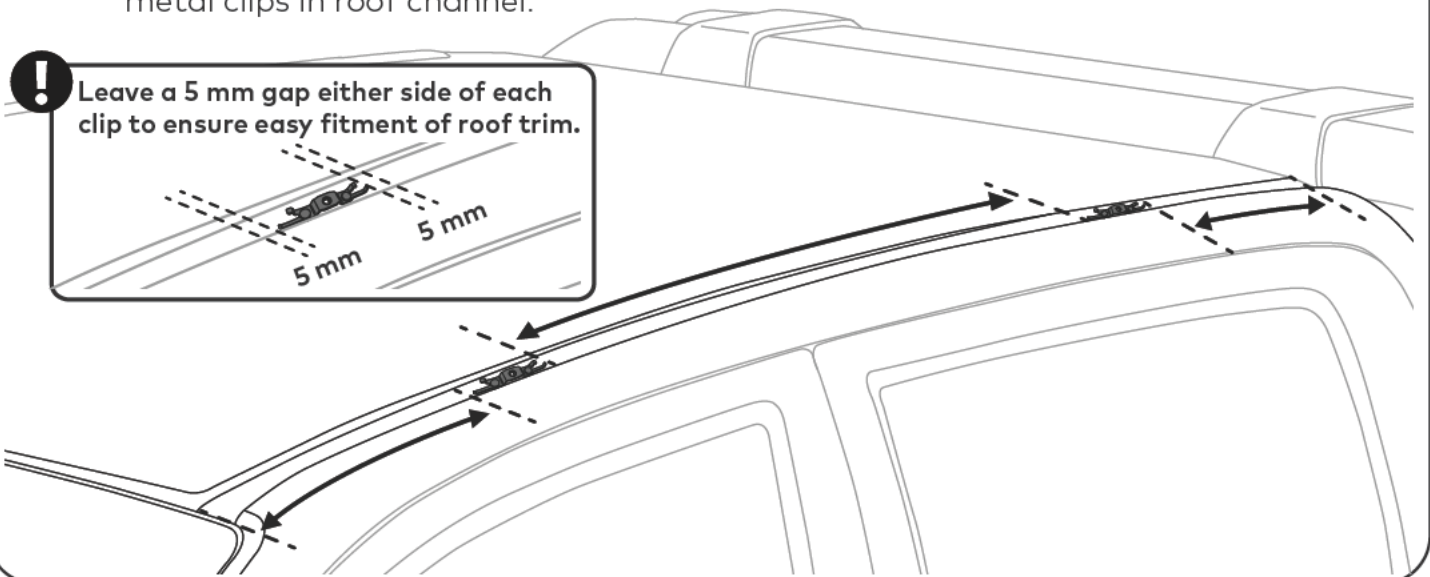
Store channel trim in a safe location for use in Step 3.



2 MEASURE ROOF CHANNEL.

Using a Measuring Tape, measure and record the distance between each of the metal clips in roof channel.

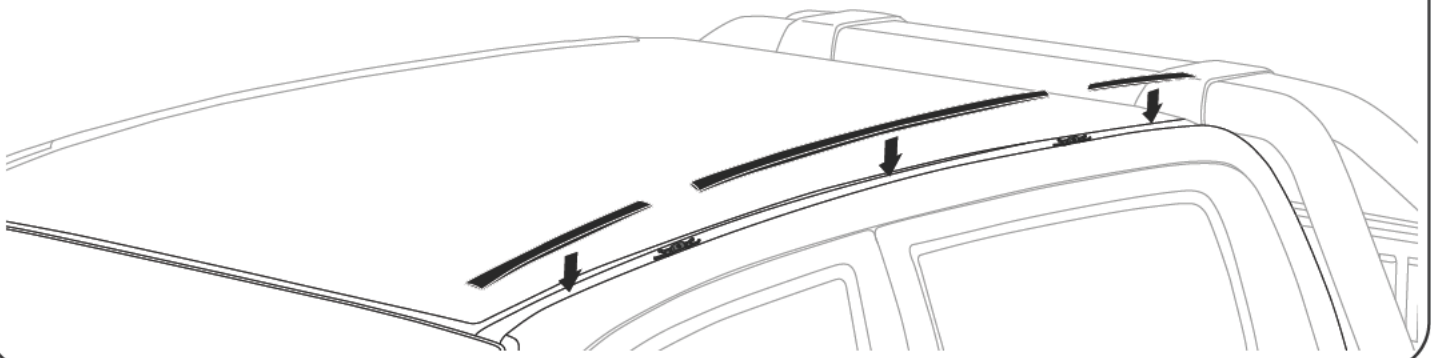
! Leave a 5 mm gap either side of each clip to ensure easy fitment of roof trim.



3 CUT AND REFIT ROOF TRIM.

Using the three recorded measurements and a pair of Cutters/Scissors, cut to lengths the roof trim removed in Step 1.

Re-fit trim pieces around metal clips in roof channel.

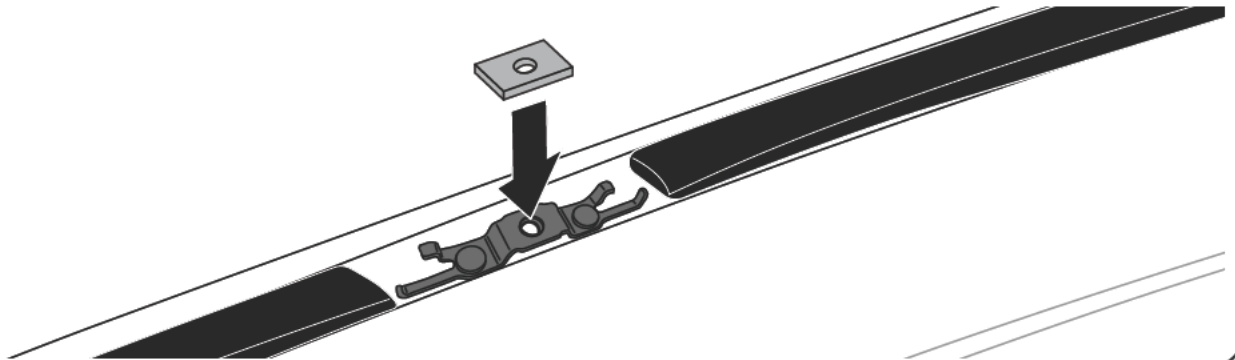


MOUNTING RUGGEDLINE

1

AFFIX FOAM ADHESIVE.

Carefully apply Foam Adhesive over all metal clips in roof channel, lining up holes in foam with the holes in clips. Apply with adhesive side to vehicle.

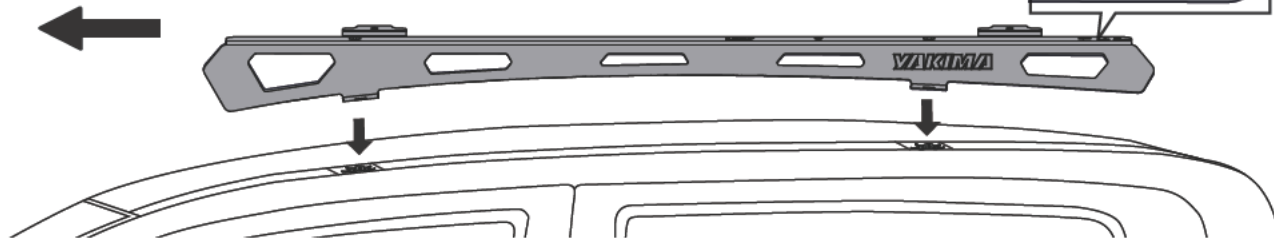


2

POSITION RUGGEDLINE ON VEHICLE ROOF.

Referring to the left-right orientation on top of each RuggedLine, carefully place one side of the RuggedLine onto vehicle roof as shown. Line up the mounting holes on the bottom tabs to the clips on the roof. The tabs are to face in towards the vehicle.

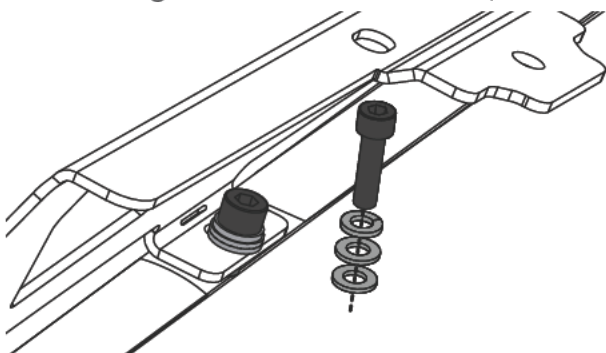
Front of vehicle



3

ASSEMBLE RUGGEDLINE HARDWARE.

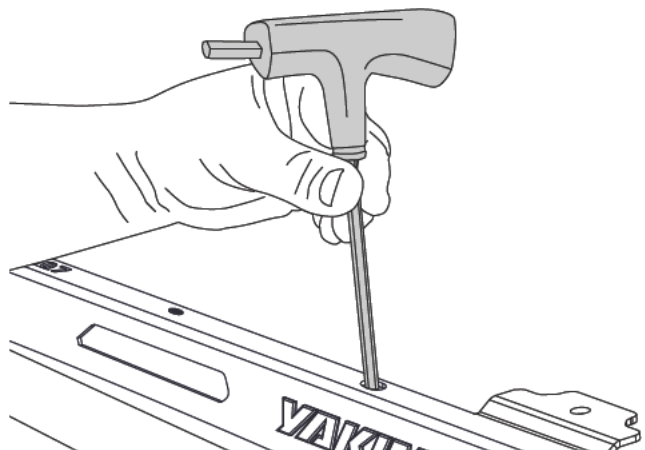
Assemble the M8 x 16 mm Socket Head Cap Screw, M8 Spring Washer and x2 M8 Washers as shown and place into mounting holes on bottom tabs of RuggedLine. Ensure hardware and holes align with the holes in clips.



4

TIGHTEN RUGGEDLINE HARDWARE.

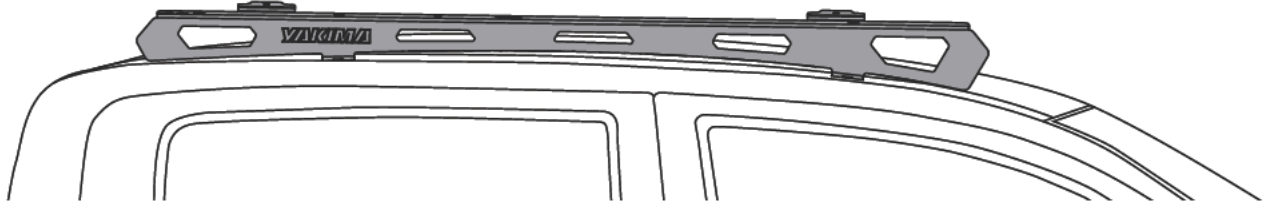
Using the 6 mm T-Handle Ball End Allen Key, and avoiding damage to the powder coat, start to carefully secure the RuggedLine by tightening the M8 Socket Head Cap Screws to 7 Nm into the mounting holes in roof.



5 REPEAT STEPS TO OPPOSITE SIDE.

Repeat steps 1-3 on page 2 and steps 1-4 on pages 3 for securing opposite side of RuggedLine.

Ensure both RuggedLine are securely positioned on vehicle roof. Check each screw is secure before proceeding to install LockNLoad Platform to your RuggedLine.

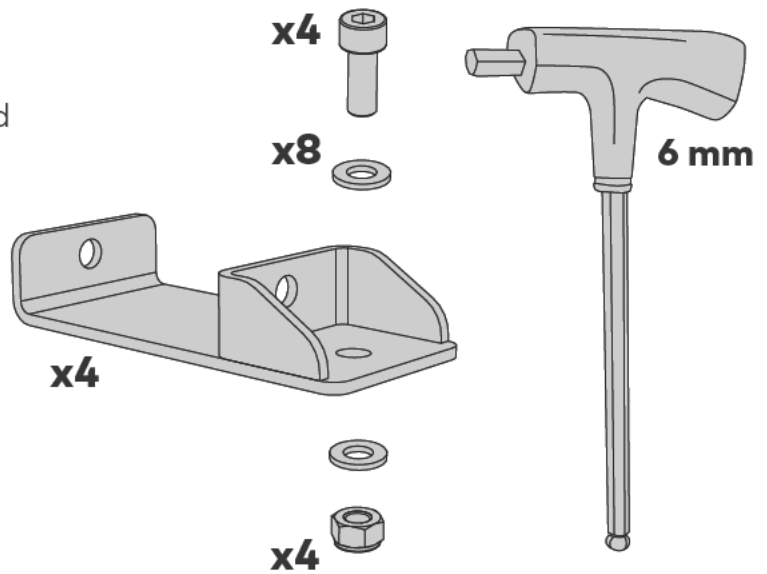


6 PIVOT BRACKET ASSEMBLIES.

Retain the 6mm T-Handle Ball End Allen Key and not yet installed Pivot Brackets, M8 x 20 mm Socket Head Cap Screws, M8 Nyloc Nuts and M8 Washers.



These components will be required for mounting your LockNLoad Platform to your newly installed RuggedLine.



NOW SWITCH TO YOUR LOCKNLOAD PLATFORM INSTRUCTIONS AND CONTINUE FROM THE 'RUGGEDLINE MOUNTING INSTRUCTIONS' PAGE.

This page intentionally left blank



www.yakima.com.au
www.yakima.co.nz
www.yakima.com
www.yakima.eu

YAKIMA AUSTRALIA PTY LTD

17 Hinkler Court
Brendale, QLD 4500
Australia
1800 143 548

YAKIMA PRODUCTS, INC.

4101 Kruse Way
Lake Oswego, OR
97035-2541
USA
888 925 4621
yakima.com/support

ALL CONTENT SUBJECT TO YAKIMA AUSTRALIA PTY LTD COPYRIGHT © 2024