

MAXIMUM PRODUCT LOAD RATING: 100 kg 

IMPORTANT:

- **LOAD = WEIGHT OF PLATFORM or BARS + MOUNTING SYSTEM + ACCESSORIES + CARGO**
- **PLEASE REFER TO VEHICLE MANUFACTURER SPECIFICATIONS FOR MAX ROOF LOAD CAPACITY OF VEHICLE. THE LOWEST LOAD RATING APPLIES.**
- **OFFROAD RATING: SCAN QR CODE FOR LOCKNLOAD LOAD RATING GUIDE. REDUCTIONS MAY APPLY.**



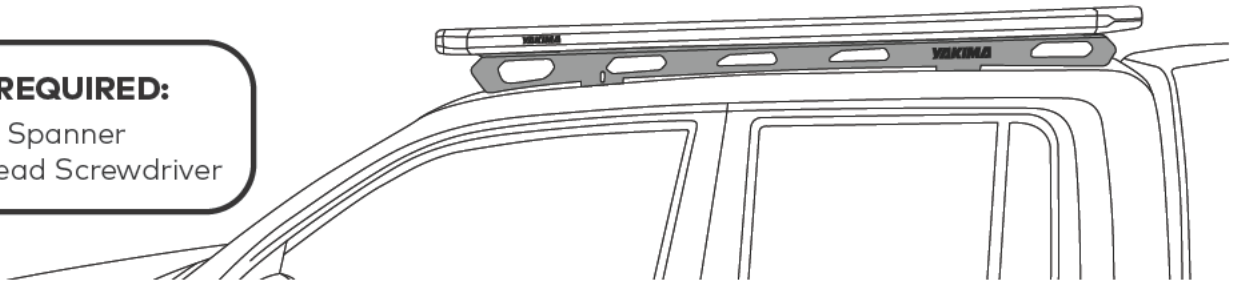
FIRST TIME INSTALLATION

- Please read instructions carefully before installation.
- Check the contents of kit. Each LockNLoad RuggedLine has the last four digits of the kit's part number lasered in. Contact your YAKIMA dealer if any parts appear missing, incorrect or damaged.
- Clean your roof thoroughly prior to fitting the LockNLoad RuggedLine.
- Place these instructions in the vehicle's glove box after installation is complete.



TOOLS REQUIRED:

- 13 mm Spanner
- Flat Head Screwdriver

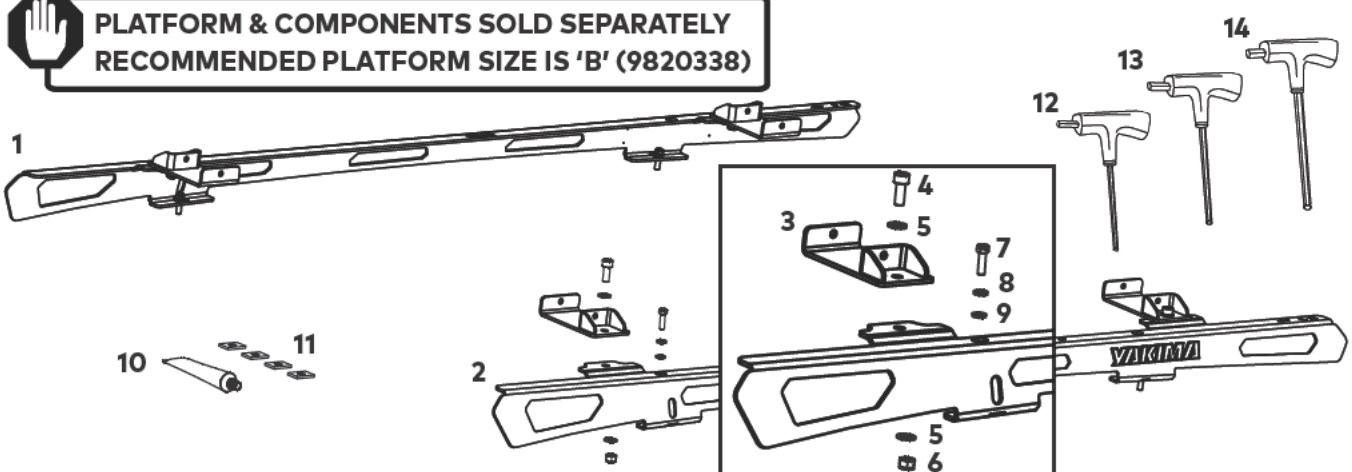


KIT CONTENTS

ITEM	COMPONENT	QTY	ITEM	COMPONENT	QTY
1.	VW Amarok RuggedLine RH 1006	x1	8.	M6 Spring Washer	x4
2.	VW Amarok RuggedLine LH 1006	x1	9.	M6 Washer	x4
3.	Pivot Bracket	x4	10.	Silicone Sealant	x1
4.	M8 x 20 mm Socket Head Cap Screw	x4	11.	Foam Adhesive	x4
5.	M8 Washer	x8	12.	4 mm T-Handle Ball End Allen Key	x1
6.	M8 Nyloc Nut	x4	13.	5 mm T-Handle Ball End Allen Key	x1
7.	M6 x 20 mm Hex Head Screw	x4	14.	6 mm T-Handle Ball End Allen Key	x1



**PLATFORM & COMPONENTS SOLD SEPARATELY
RECOMMENDED PLATFORM SIZE IS 'B' (9820338)**

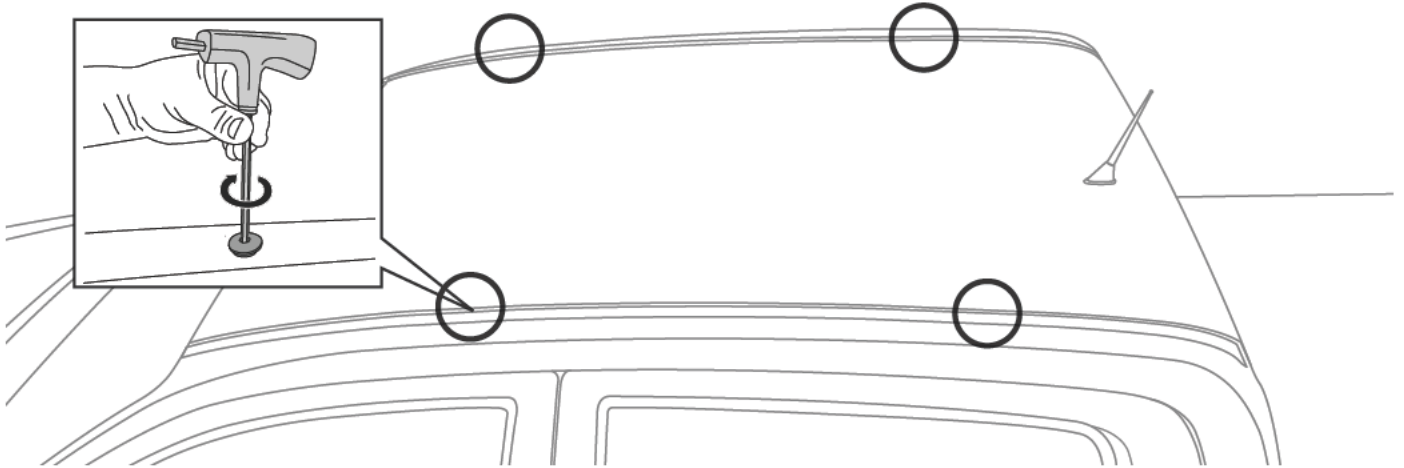


VEHICLES WITHOUT DITCH MOULD

1

REMOVE FIXED POINT PLUGS.

For VM Amarok models with no ditch mould, remove all four mounting plugs using the provided 5 mm T-Handle Ball End Allen Key.



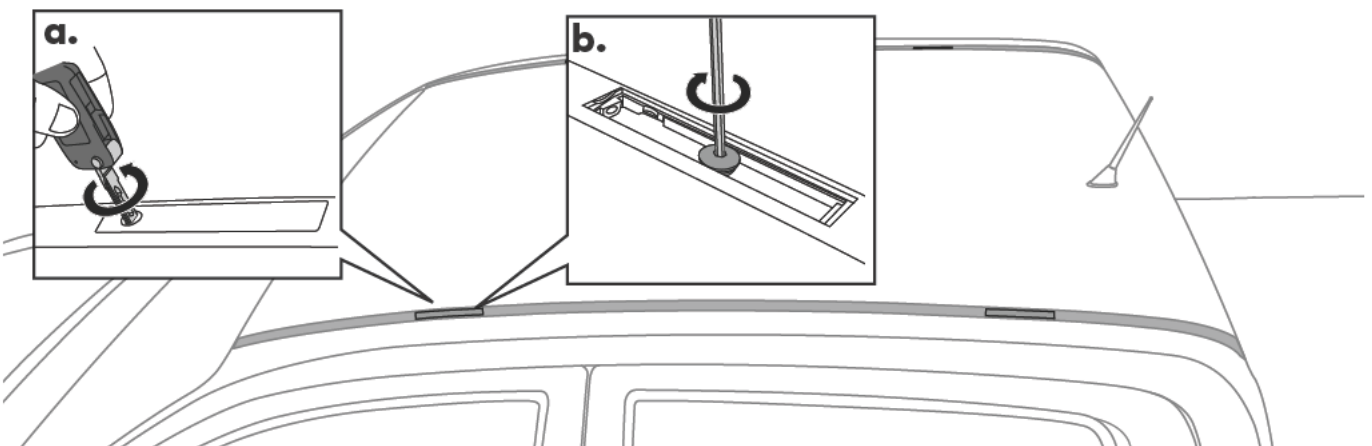
VEHICLES WITH DITCH MOULD

1

REMOVE FIXED POINT PLUGS.

For VM Amarok models with a ditch mould, remove all four fixed point covers using vehicle key or a flat head screwdriver.

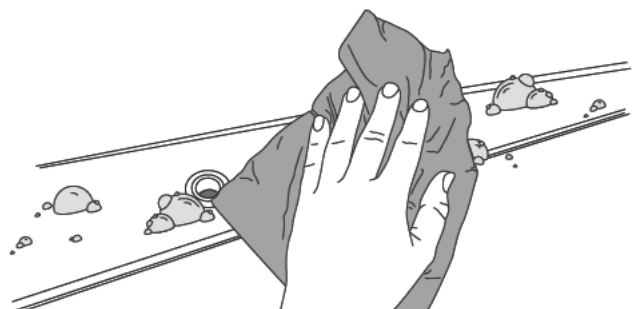
Remove all four mounting plugs using the provided 5 mm T-Handle Ball End Allen Key.



2

CLEAN EXPOSED ROOF.

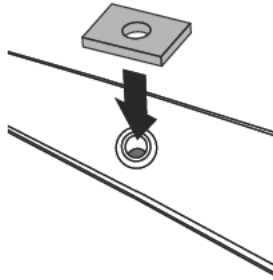
Wipe clean any dirt that may have built up in and around all mounting holes.



MOUNTING RUGGEDLINE

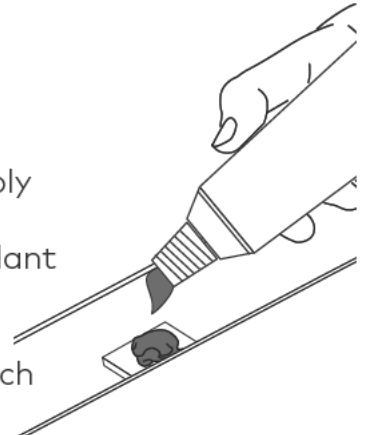
1 AFFIX FOAM ADHESIVE.

Apply Foam Adhesive over all four mounting holes in the vehicle's fixed points, with adhesive side to vehicle.



2 APPLY SILICONE SEALANT.

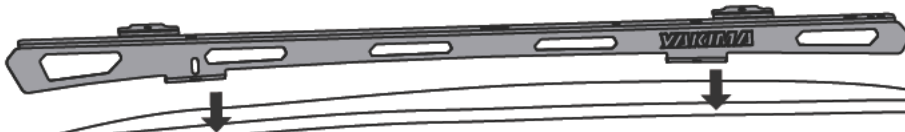
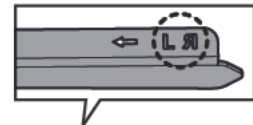
Liberal apply the supplied Silicone Sealant to the inside surface and on top of each hole **on one side of vehicle.**



3 POSITION RUGGEDLINE ON VEHICLE ROOF.

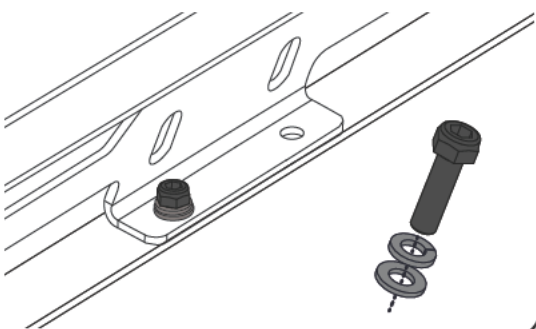
Referring to the left-right orientation on top of each RuggedLine, carefully place one side of the RuggedLine onto vehicle roof as shown. Line up the mounting holes on the bottom tabs to those exposed on the roof. The tabs are to face in towards the vehicle.

Front of vehicle



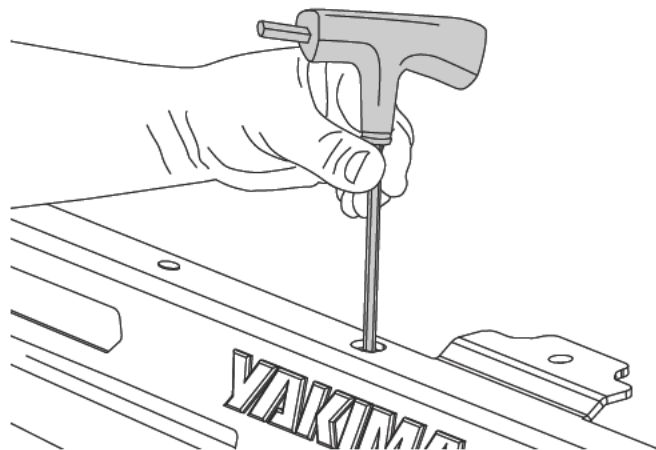
4 ASSEMBLE RUGGEDLINE HARDWARE.

Assemble the M6 x 20 mm Hex Head Cap Screw, M6 Spring Washer and Washer as shown and place into mounting holes on bottom tabs of RuggedLine. Ensure hardware and holes align with the holes on roof.



5 TIGHTEN RUGGEDLINE HARDWARE.

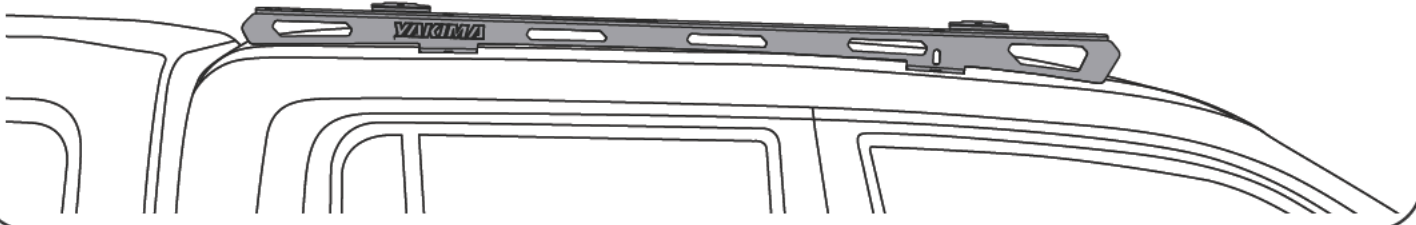
Using the provided 5 mm T-Handle Ball End Allen Key, and avoiding damage to the powder coat, start to carefully secure the RuggedLine by tightening the M6 Hex Head Cap Screws to 4 Nm into the mounting holes in roof.



6 REPEAT STEPS TO OPPOSITE SIDE.

Repeat steps 2-5 for securing opposite side of RuggedLine.

Ensure both RuggedLine are securely positioned on vehicle roof. Check each screw is secure before proceeding to install LockNLoad Platform to RuggedLine.

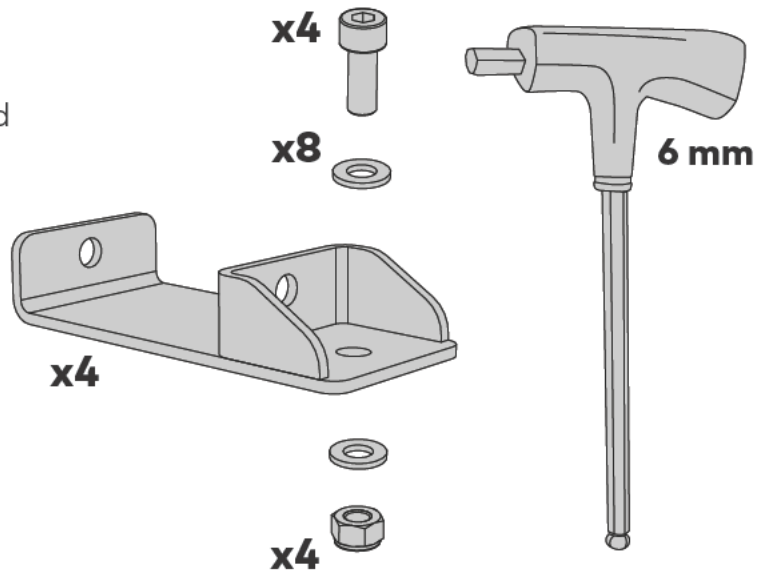


7 PIVOT BRACKET ASSEMBLIES.

Retain the 6mm T-Handle Ball End Allen Key and not yet installed Pivot Brackets, M8 x 20 mm Socket Head Cap Screws, M8 Nyloc Nuts and M8 Washers.



These components will be required for mounting your LockNLoad Platform to your newly installed RuggedLine



NOW SWITCH TO YOUR LOCKNLOAD PLATFORM INSTRUCTIONS AND CONTINUE FROM THE 'RUGGEDLINE MOUNTING INSTRUCTIONS' PAGE.

This page intentionally left blank



www.yakima.com.au
www.yakima.co.nz
www.yakima.com
www.yakima.eu

YAKIMA AUSTRALIA PTY LTD

17 Hinkler Court
Brendale, QLD 4500
Australia
1800 143 548

YAKIMA PRODUCTS, INC.

4101 Kruse Way
Lake Oswego, OR
97035-2541
USA
888 925 4621
yakima.com/support