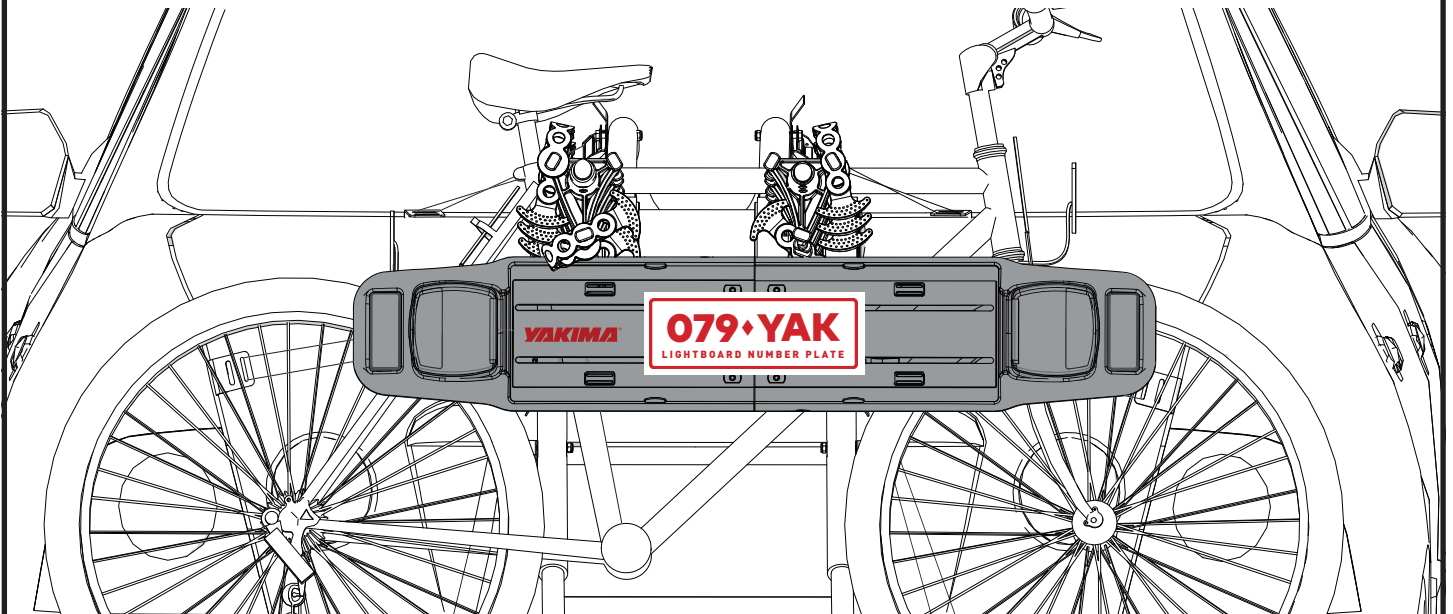


FIRST TIME INSTALLATION

- Please read instructions carefully before installation.
- Check the contents of kit. Contact your YAKIMA dealer if any parts appear missing or damaged.
- Place these instructions in the vehicle's glove box after installation is complete.



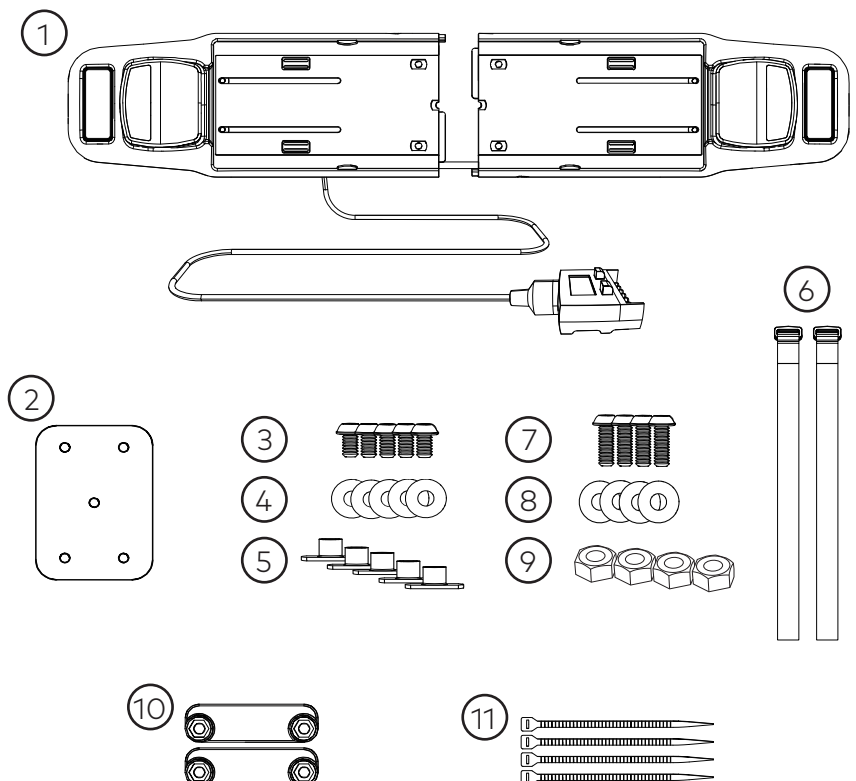
KIT CONTENTS



TOOLS REQUIRED:

- 4 mm Ball End Allen Key

ITEM	COMPONENT	QTY
1.	LightMate L&R with Plug	x1
2.	Steel Bracket	x1
3.	M6 8 mm Screw	x5
4.	M6 8 mm Washer	x5
5.	M6 8 mm Nuts	x5
6.	Velcro Straps	x2
7.	M6 14 mm Screw	x4
8.	M6 14 mm Washer	x4
9.	M6 14 mm Nut	x4
10.	Plastic Stopper	x2
11.	Cable Tie	x4

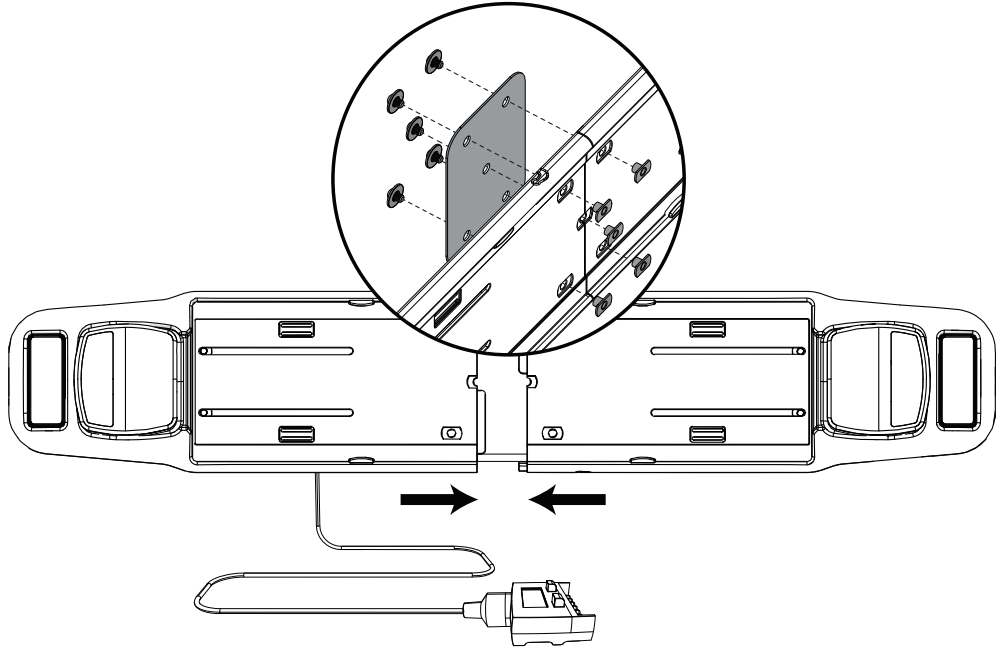


INSTALLATION

1 ASSEMBLE LIGHT BOARD SIDES.

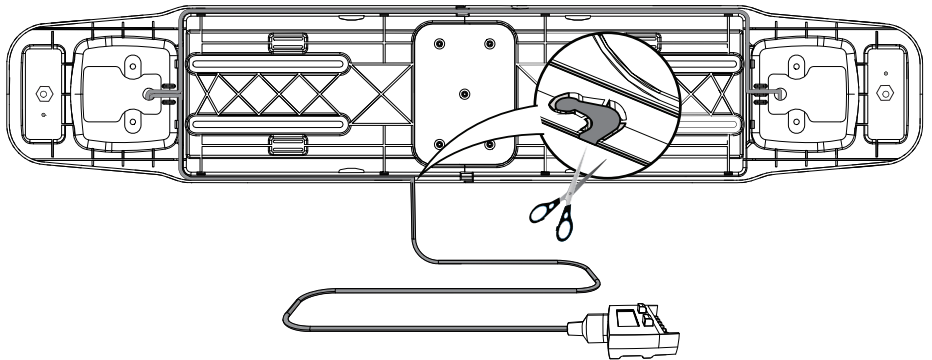
Assemble the left and right LightMate sides together using the steel bracket, the short screws, big washers and nuts as shown.

Tighten all screws to 2 Nm using a 4 mm ball end allen key.



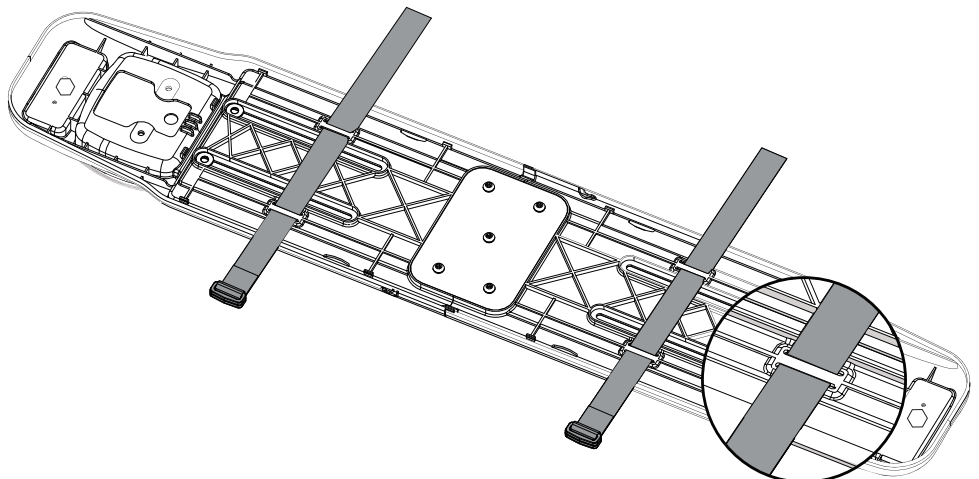
2 SECURE CABLE.

Hook cable to clips on rear of LightMate as pictured and using a sharp tool, break the perforation to allow the cable to come through the bottom of the light board as shown.



3 THREAD VELCRO STRAPS.

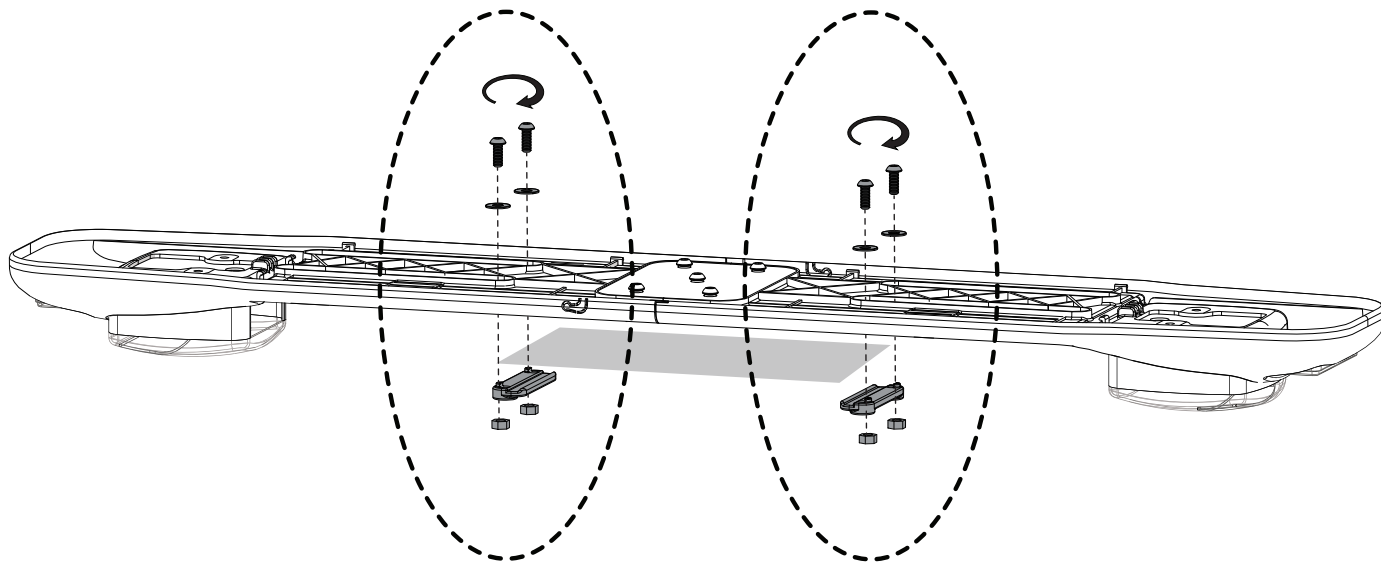
Thread the velcro straps through the buckle loops on back of LightMate as shown.



4**SECURE NUMBER PLATE.**

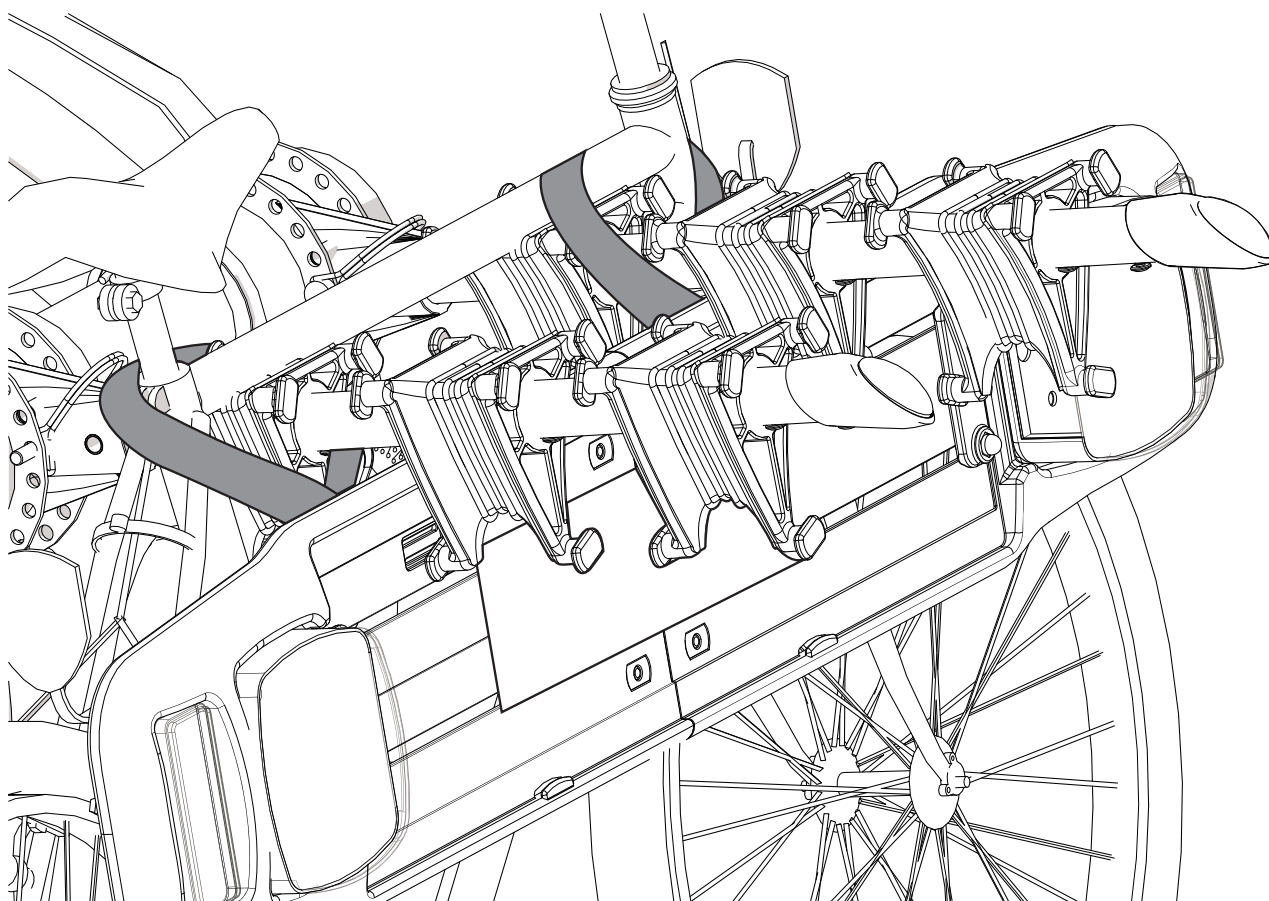
Checking the orientation of your number plate is correct, secure your plate using the 2x plastic stoppers, the longer screws, smaller washers and nuts as shown.

Tighten all screws to 2 Nm using a 4 mm ball end allen key.

**5****ATTACH LIGHTMATE.**

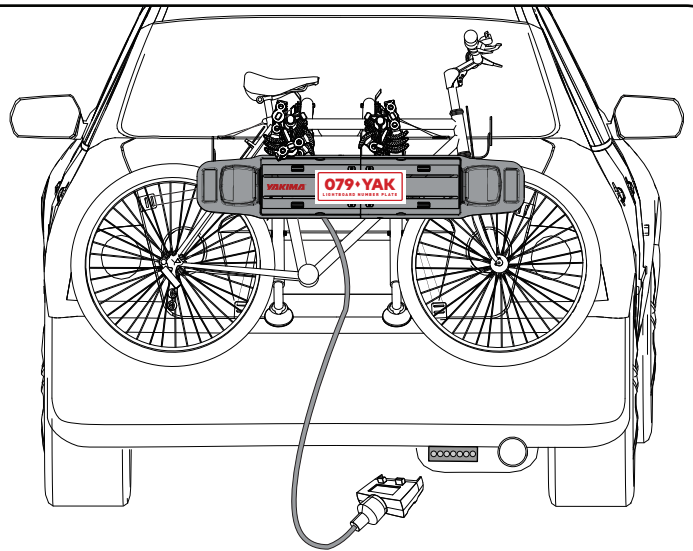
Secure LightMate to your bike carrier or bike frames using the velcro straps as pictured.

Ensure the lights and number plate are not obstructed from view.

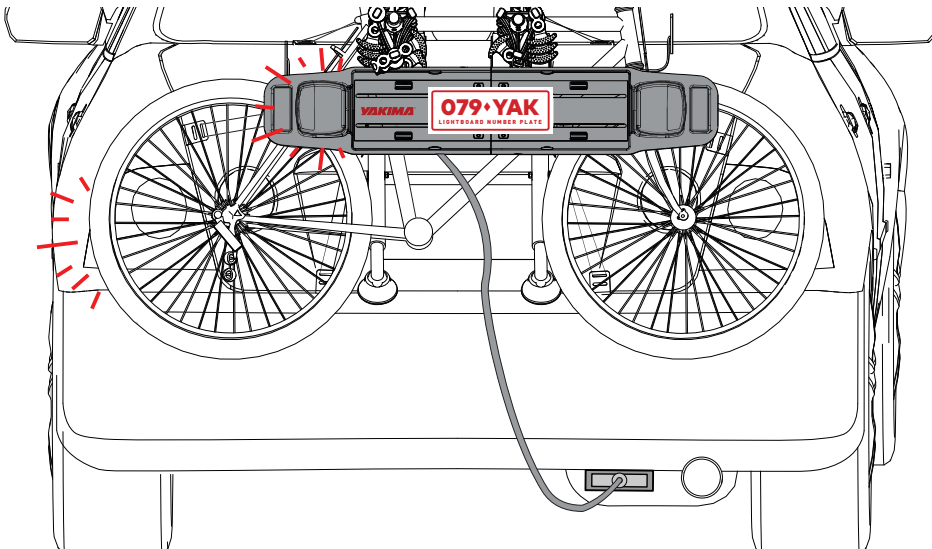


6**CONNECT LIGHT CABLE.**

Connect light cable as shown.

**7****TEST LIGHT FUNCTION.**

Test the vehicle's tail light, brake, and indicator functions to ensure the equivalent lights on LightMate illuminate.

**MAINTENANCE AND SAFETY**

- Remove LightMate prior to entering a car wash.
- Replace velcro straps if they become worn or damaged.
- Test lights are working correctly before the start of any journey.
- REPLACEMENT GLOBES - P21/5W (Tail/Brake Light) P21 (Indicator)

YAKIMAwww.yakima.com.auwww.yakima.co.nz**YAKIMA AUSTRALIA PTY. LTD**

17 Hinkler Court
 Brendale, QLD 4500
 Australia
 1800 143 548

YAKIMA PRODUCTS, INC.

4101 Kruse Way
 Lake Oswego, OR
 97035-2541
 USA
 888 925 4621