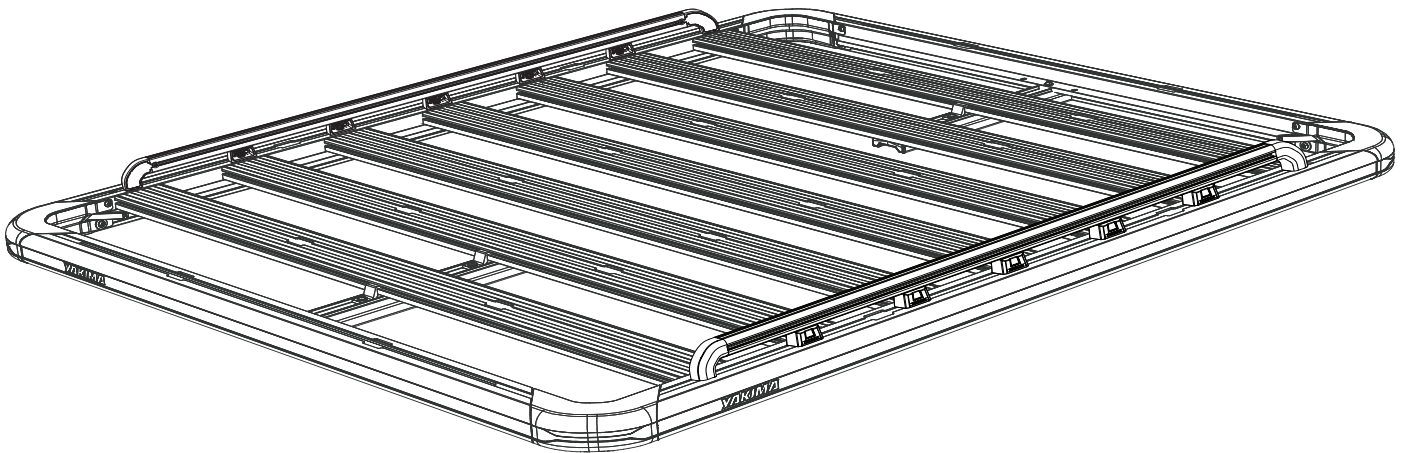


FIRST TIME INSTALLATION

- Please read instructions carefully before installation.
- Check the contents of kit. Contact your YAKIMA dealer if any parts appear missing or damaged.
- Clean your platform prior to fitting the YAKIMA Platform Perimeter Rail.
- Place these instructions in the vehicle's glove box after installation is complete.

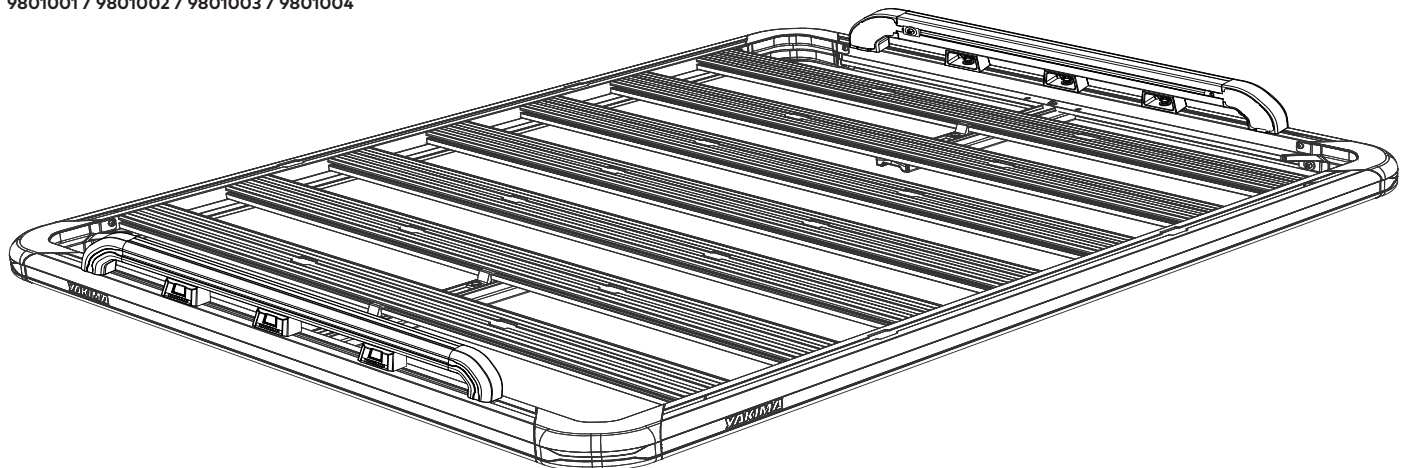
Installation of Side Rails (See Page 3)

9801001 / 9801002 / 9801003 / 9801004 / 9801005 / 9801006



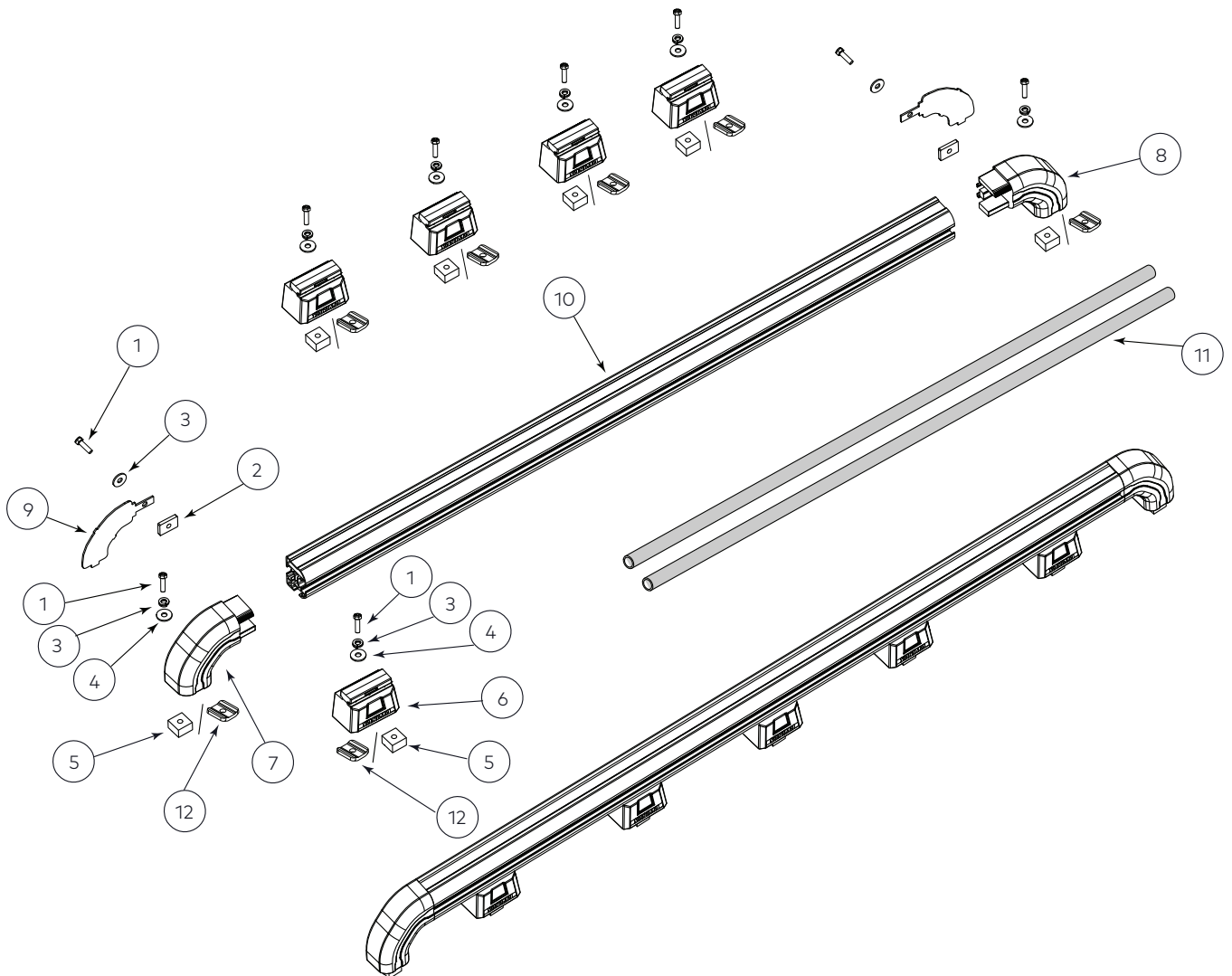
Installation of Front and Rear Rails (See Page 8)

9801001 / 9801002 / 9801003 / 9801004



KIT CONTENTS

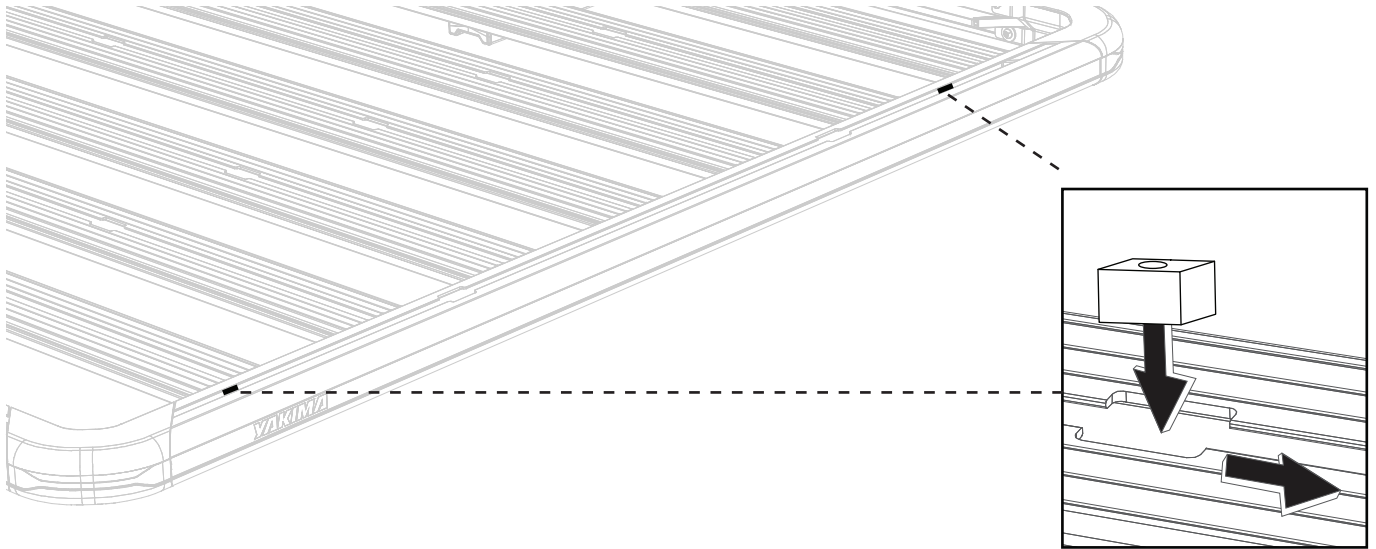
ITEM	COMPONENT	652 mm	783 mm	963 mm	1062 mm	1323 mm	1503 mm
		(9801001)	(9801002)	(9801003)	(9801004)	(9801005)	(9801006)
1.	Hex Head Socket Drive Set Screw M6 x 20	x12	x14	x14	x16	x16	x18
2.	T-Nut M6	x4	x4	x4	x4	x4	x4
3.	Washer Spring M6	x12	x14	x14	x16	x16	x18
4.	M6 x 18 x 1.6 Washer	x12	x14	x14	x16	x16	x18
5.	Channel Nut 20 x 20 x 12	x4	x4	x4	x4	x12	x14
6.	Perimeter Rail Support Piece	x4	x6	x6	x8	x8	x10
7.	Perimeter Rail End Piece Left	x2	x2	x2	x2	x2	x2
8.	Perimeter Rail End Piece Right	x2	x2	x2	x2	x2	x2
9.	End Piece Cover	x4	x4	x4	x4	x4	x4
10.	Rail Length	x2	x2	x2	x2	x2	x2
11.	Channel InFill	x2	x2	x2	x2	-	-
12.	Deformed Nut	x8	x10	x10	x12	-	-



INSTALLATION OF SIDE RAILS

1 INSERT CHANNEL NUTS INTO PLATFORM CHANNEL

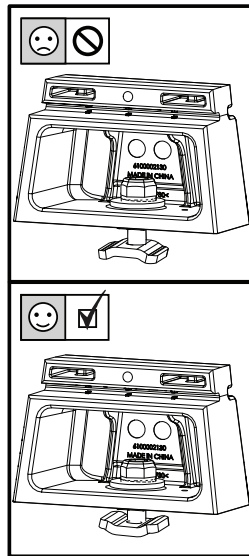
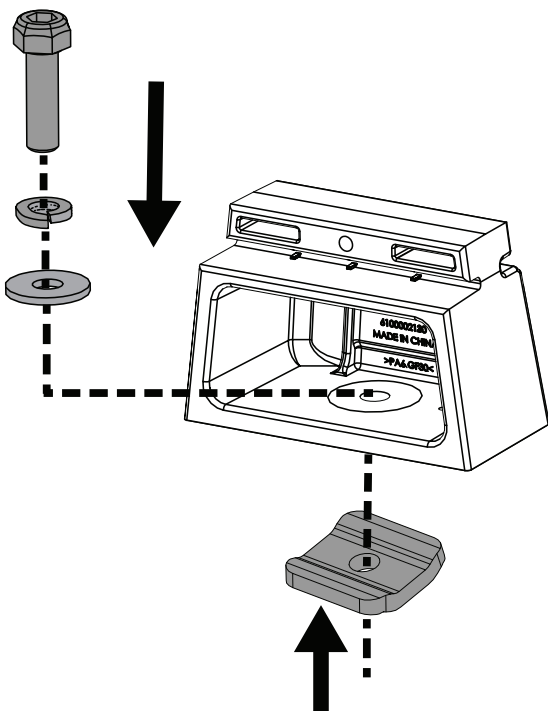
Slide a Channel Nut into each end of the channel (these will be used later to secure the Perimeter Rail End pieces).



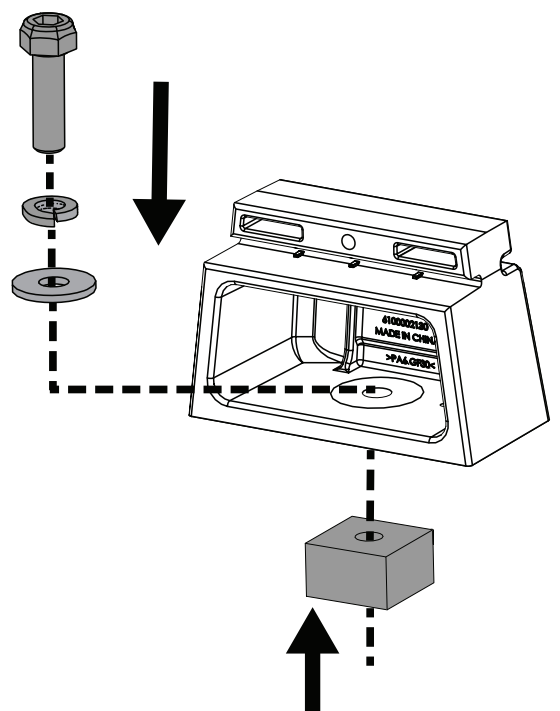
2 ASSEMBLE LOAD SUPPORTS

Loosely assemble the hardware (Hex Head Set Screw, Spring Washer, Flat Washer and Nut) to each of the Supports. Nut to use will depend on the product as detailed below. Ensure a sufficient gap remains between the Nut and the base of the Load Support to allow the Nut to slide easily into the Platform channel in the next step.

9801001 / 9801002 / 9801003 / 9801004

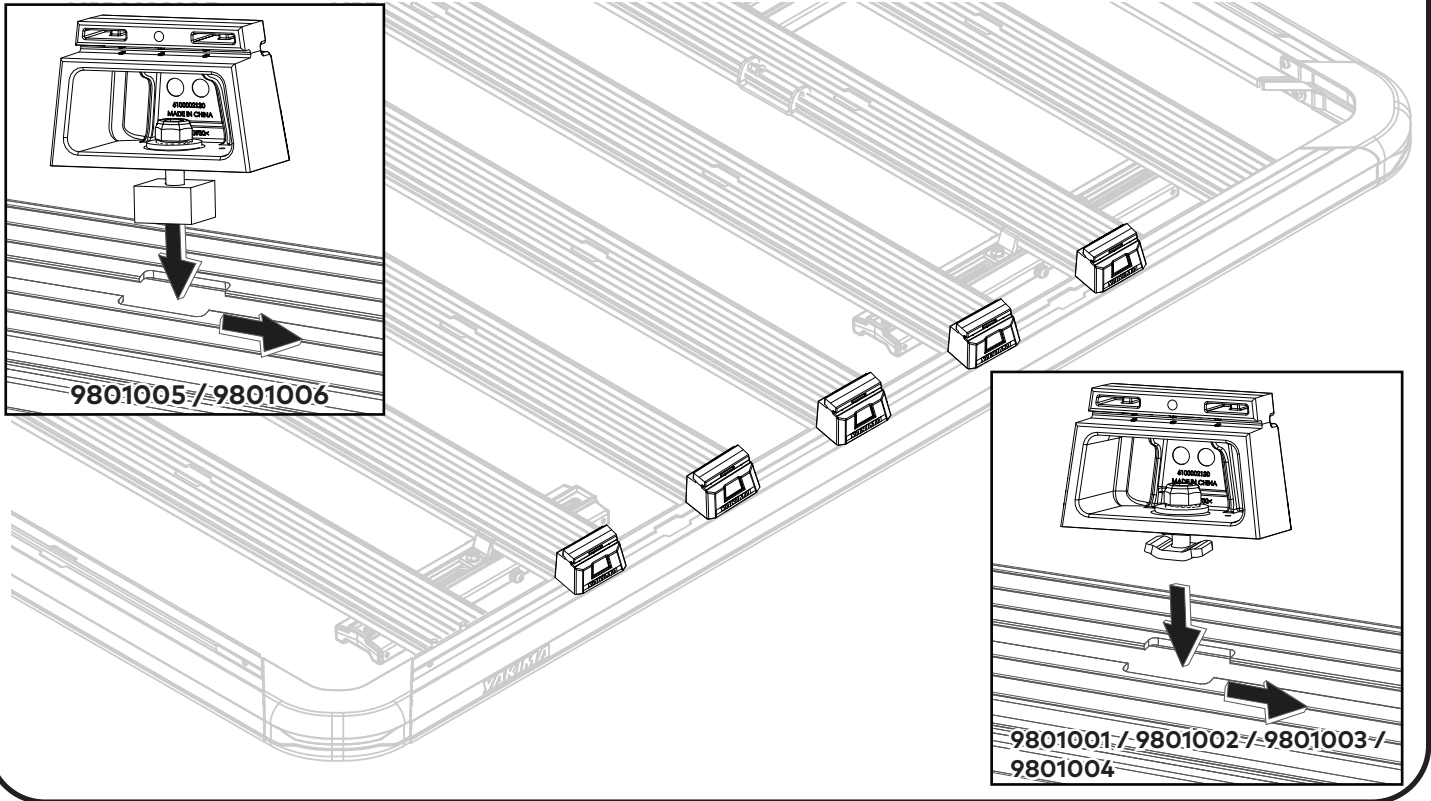


9801005 / 9801006



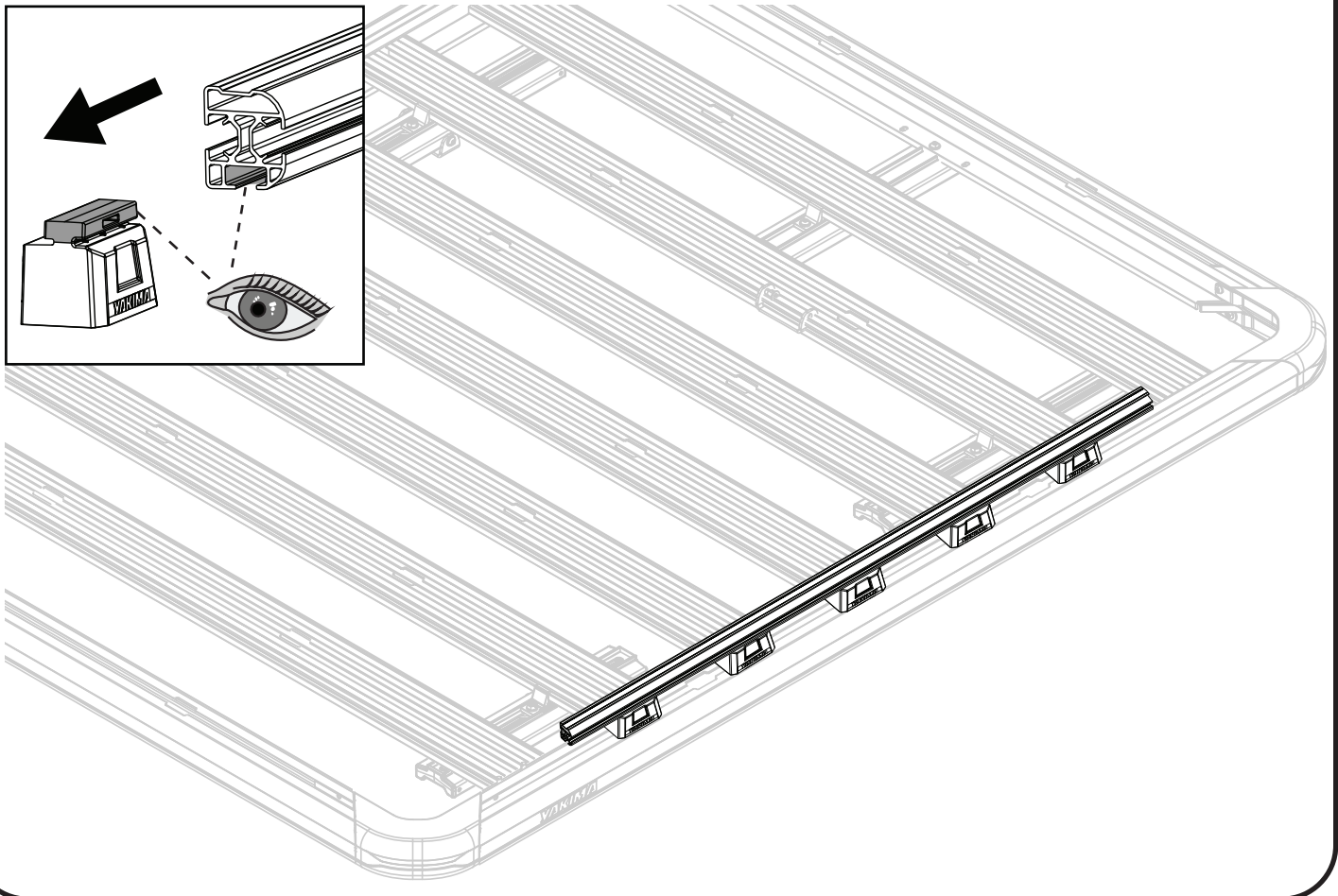
3 SLIDE SUPPORTS INTO CHANNEL

Slide Supports into channel and spread out evenly.



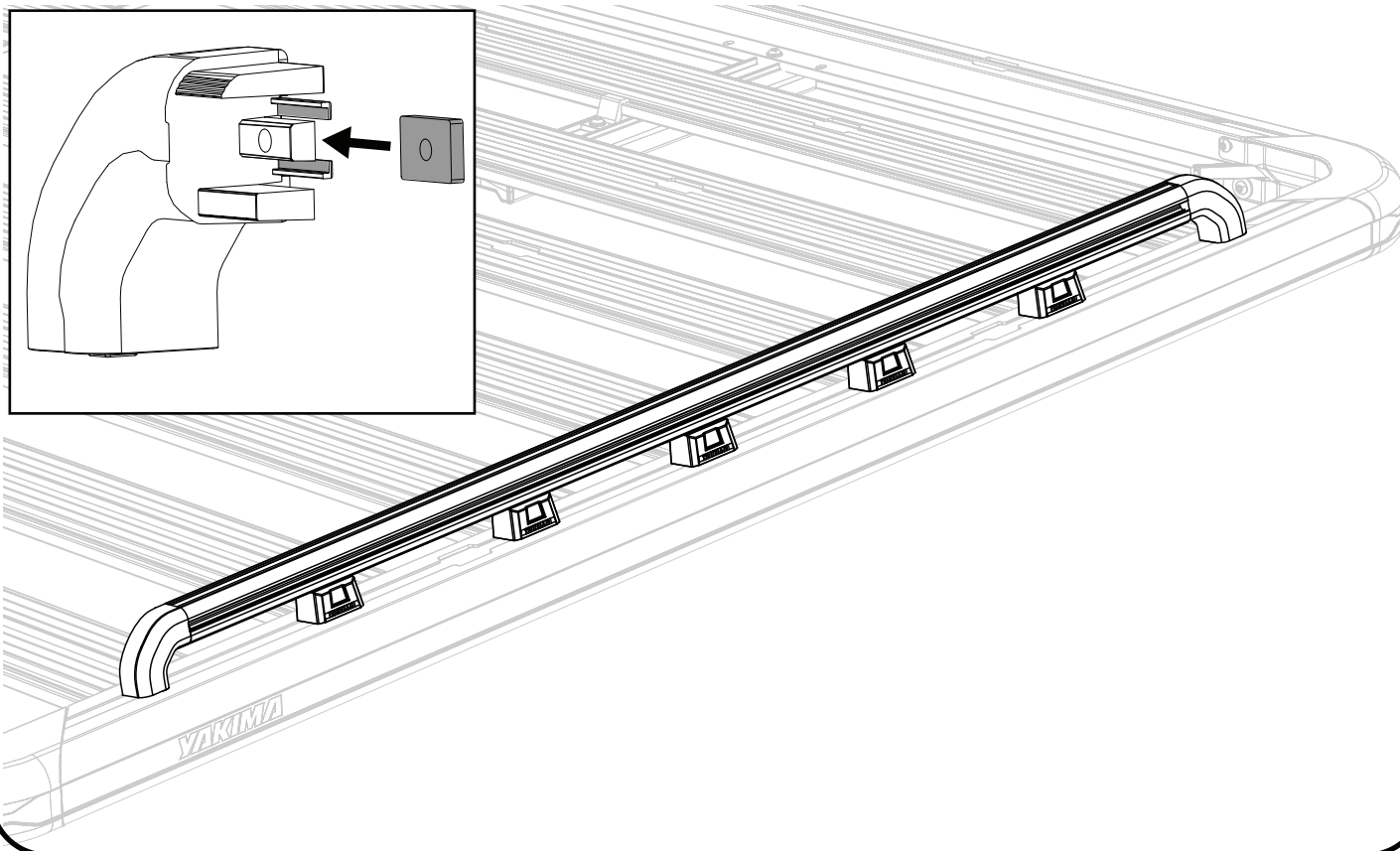
4 SLIDE RAIL ONTO SUPPORTS

Take a Rail Length and slide it through each of the Supports. This will help hold the components in place when installing the End Pieces.



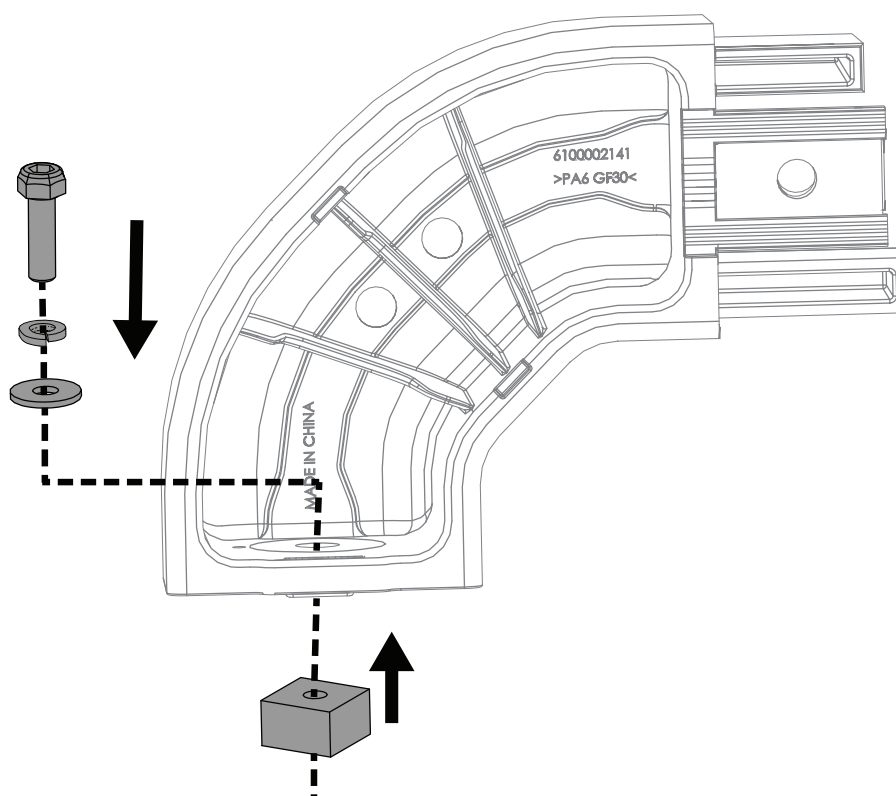
5 SLIDE TEE NUTS INTO END PIECES

Slide a Tee Nut into each of the End Pieces, then slide a Left and Right Assembly onto each end of the Rail Lengths.



6 LOOSELY SECURE END PIECES

Place a Hex Head Set Screw, Spring Washer and Flat Washer through the bottom of each End Piece and finger tighten to the Channel Nut inserted at Step 1.

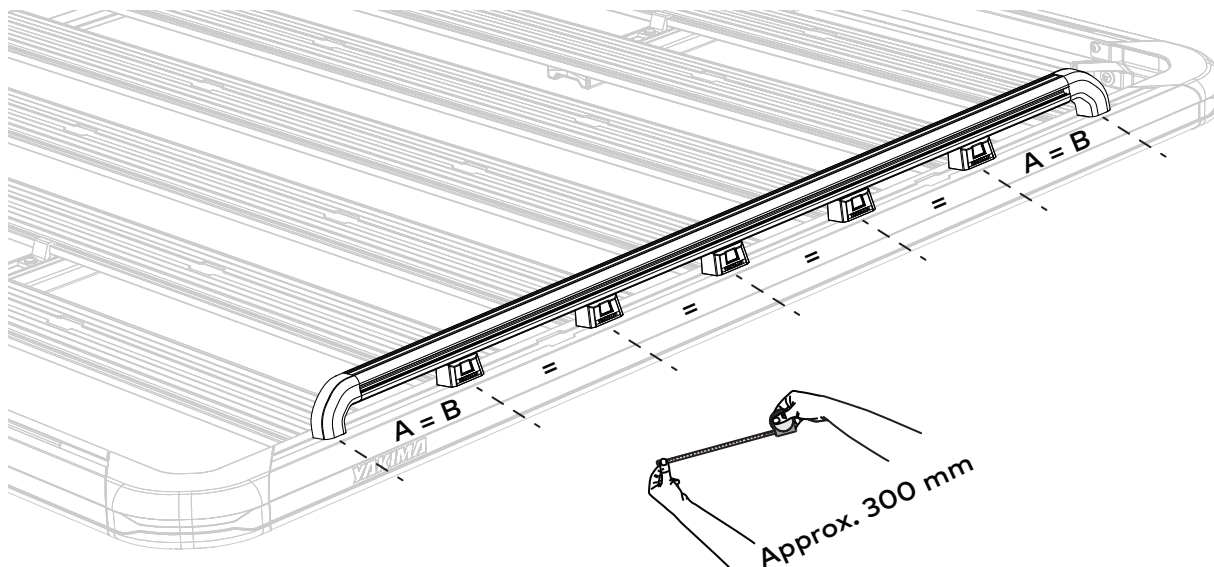


7**CONFIRM ALL COMPONENTS ARE IN POSITION BEFORE SECURING TO PLATFORM**

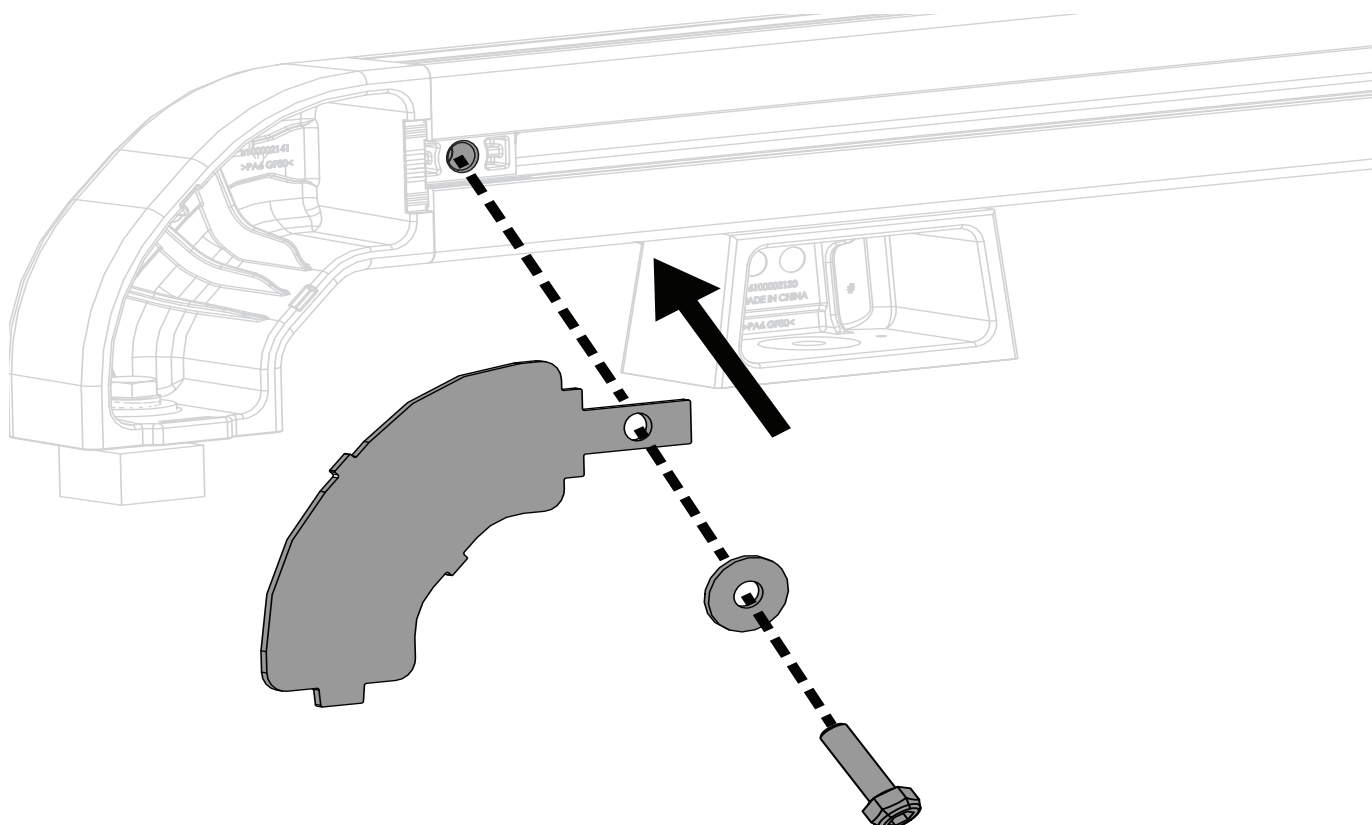
Ensure all End Pieces are pushed flush into the extrusions of each Rail Length before checking Supports are spaced evenly along the channel so that:

- Maximum distance between each Support, or Support and End Piece, is around 300 mm; and
- No Support or End Piece is sitting on top of a Nut drop in point.

Once confirmed, evenly tighten all Supports and End Pieces onto the Platform using a torque of 6 Nm.

**8****INSTALL COVERS ON END PIECES**

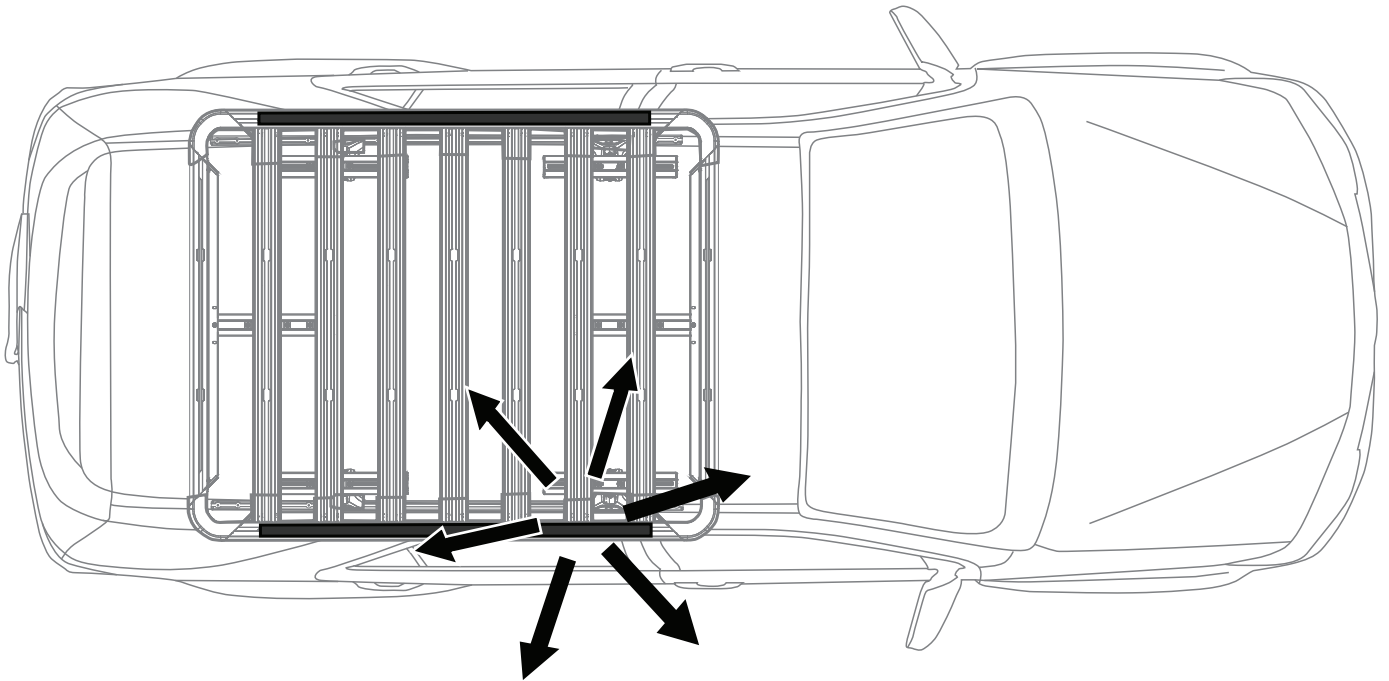
Once hardware to the Platform is tightened to specification, secure Covers onto each of the End Pieces using a Hex Head Set Screw and a Flat Washer. Tighten to 6 Nm.



9

PERIMETER RAIL INSTALLATION COMPLETE

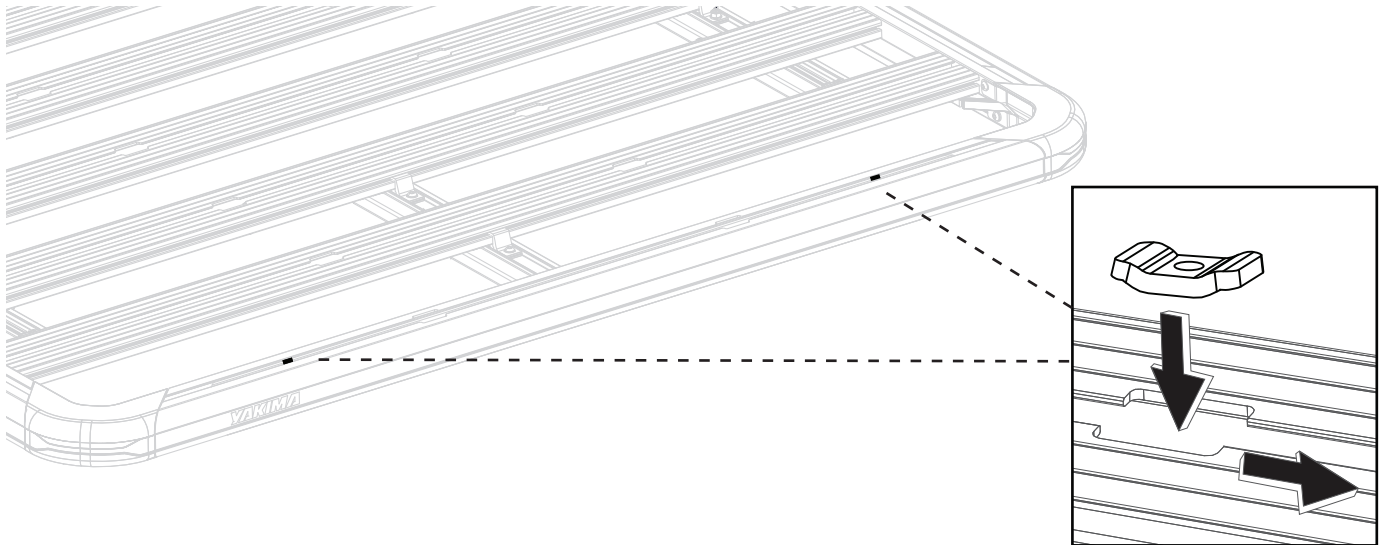
Check that Perimeter Rails have been secured correctly as per the mounting instructions.



INSTALLATION OF FRONT AND REAR RAILS

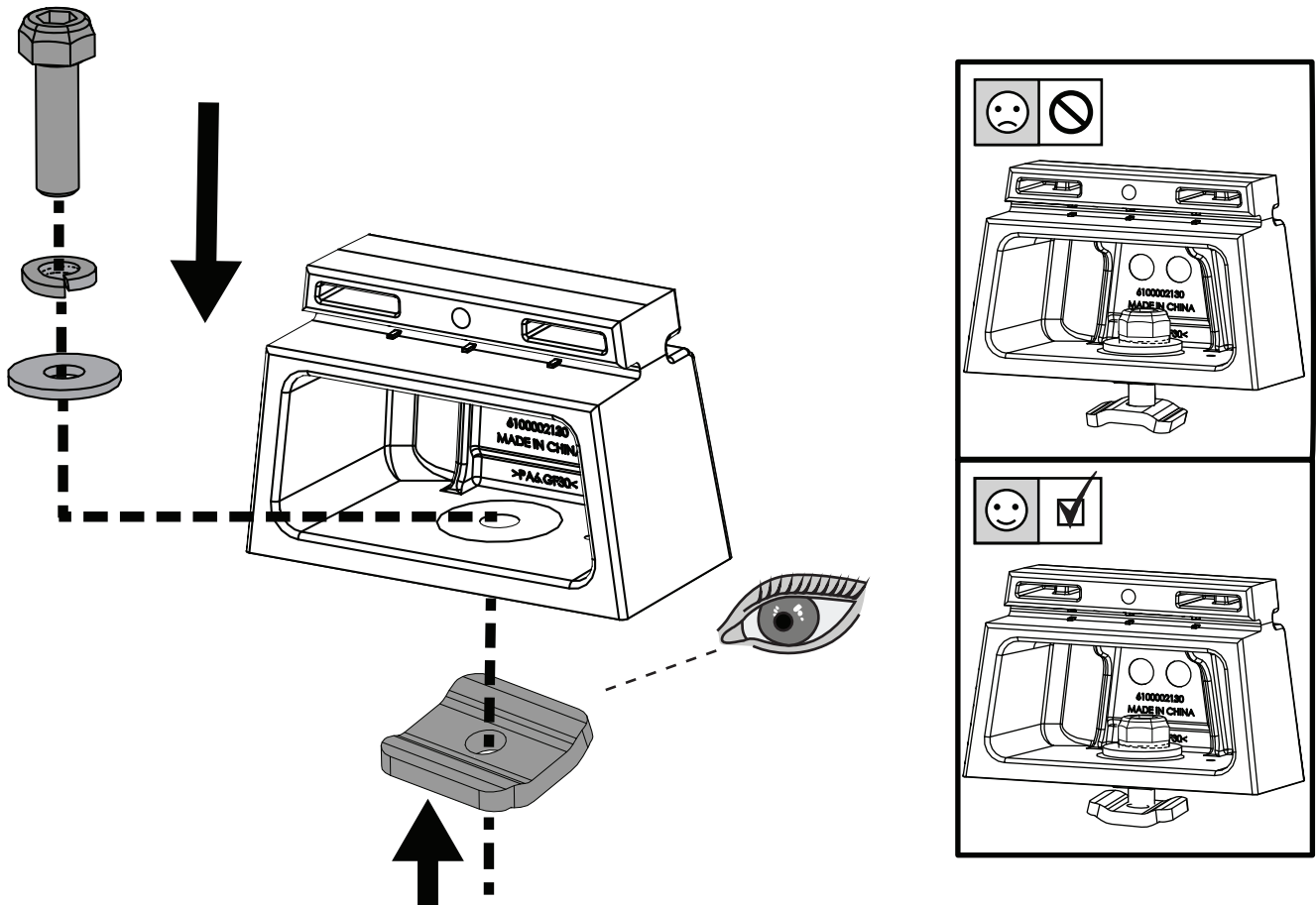
1 INSERT DEFORMED NUTS INTO PLATFORM CHANNEL

Slide a Deformed Nut into each end of the channel making sure Nuts curve upwards as shown (these will be used later to secure the Perimeter Rail End pieces).



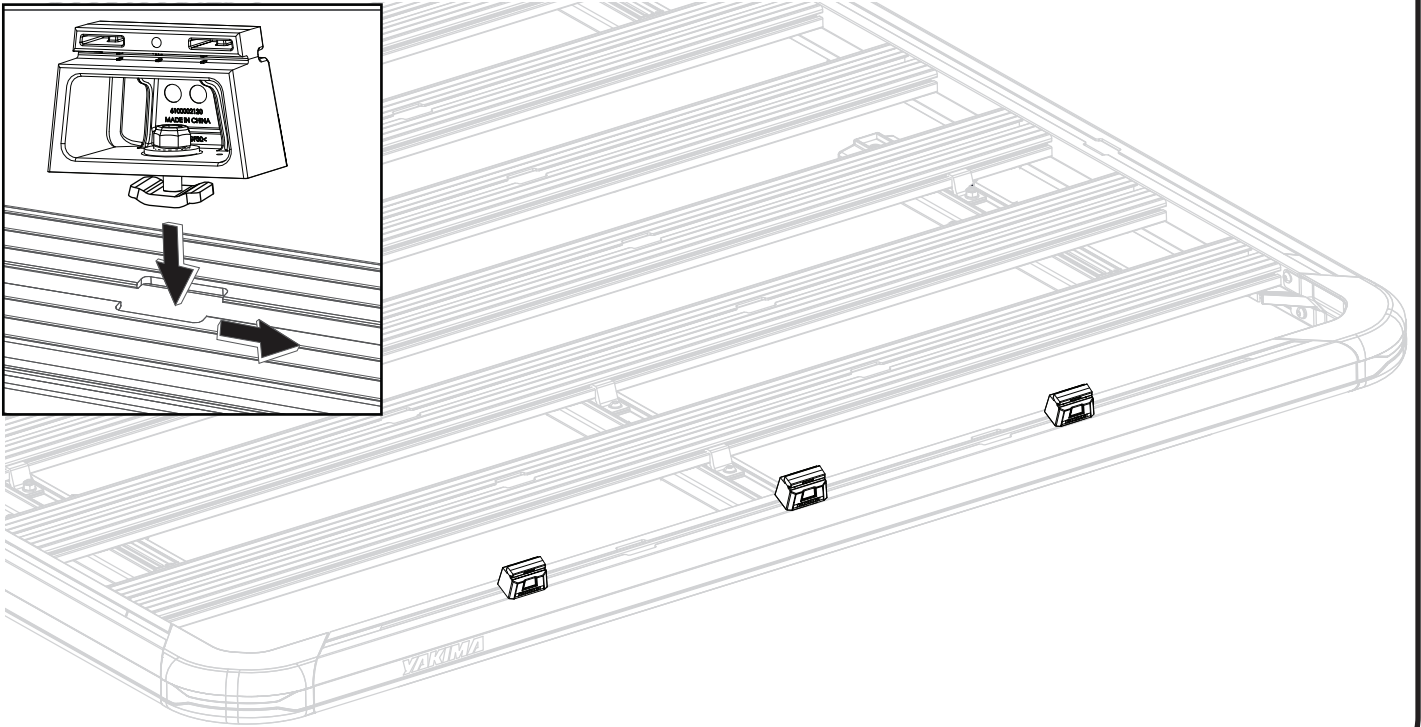
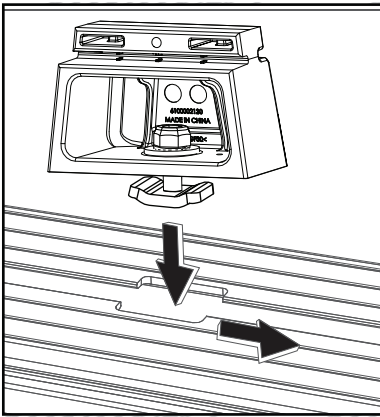
2 ASSEMBLE LOAD SUPPORTS

Loosely assemble the hardware (Hex Head Set Screw, Spring Washer, Flat Washer and Deformed Nut) to each of the Supports making sure Nut is oriented as shown. Ensure a sufficient gap remains between the Nut and the base of the Load Support to allow the Nut to slide easily into the Platform channel in the next step.



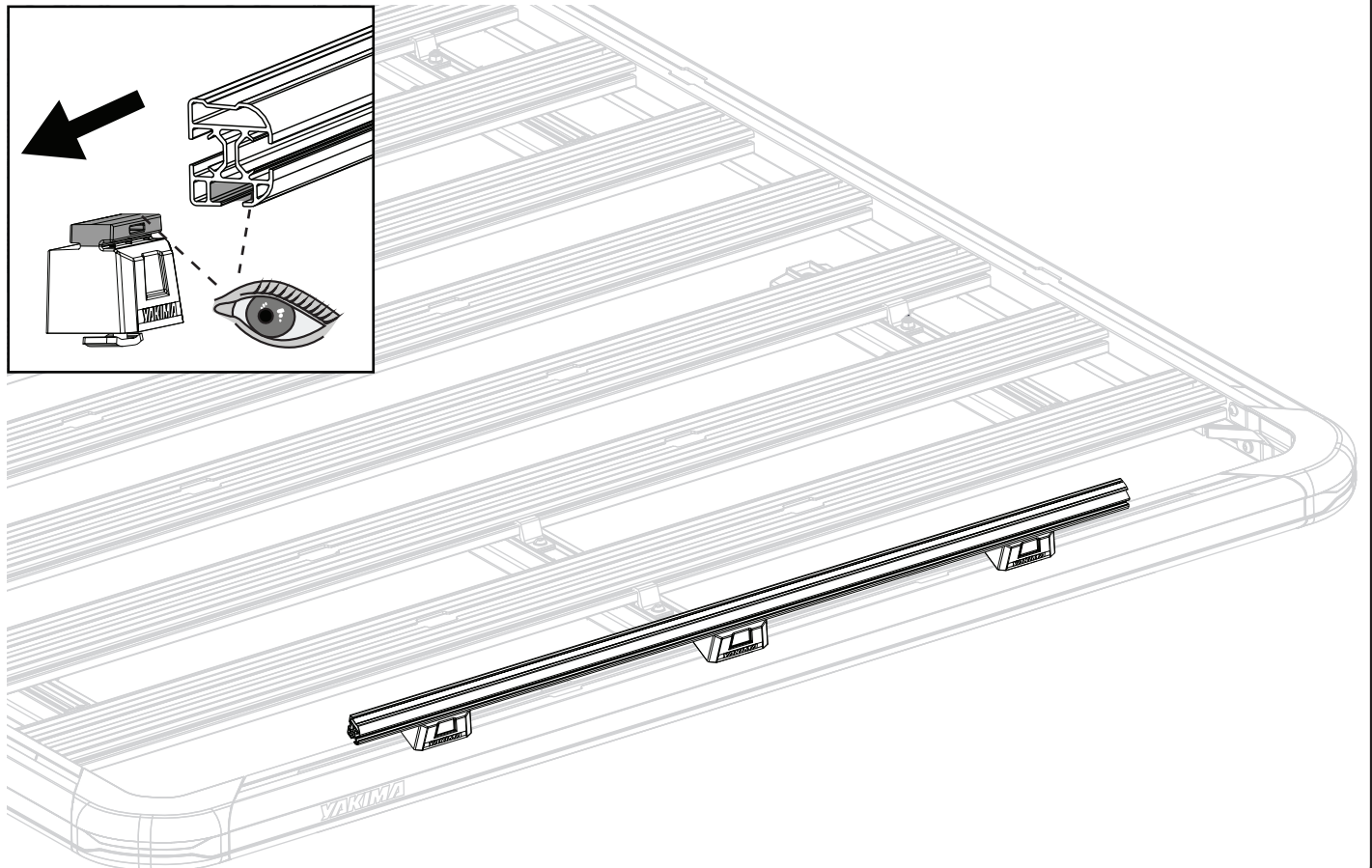
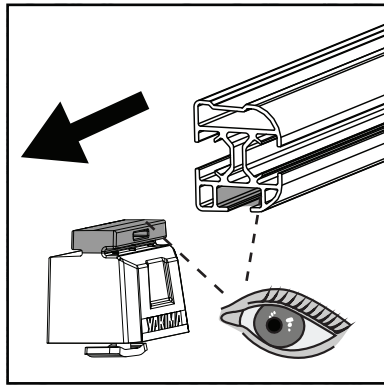
3 SLIDE SUPPORTS INTO CHANNEL

Slide Supports into channel and spread out evenly.



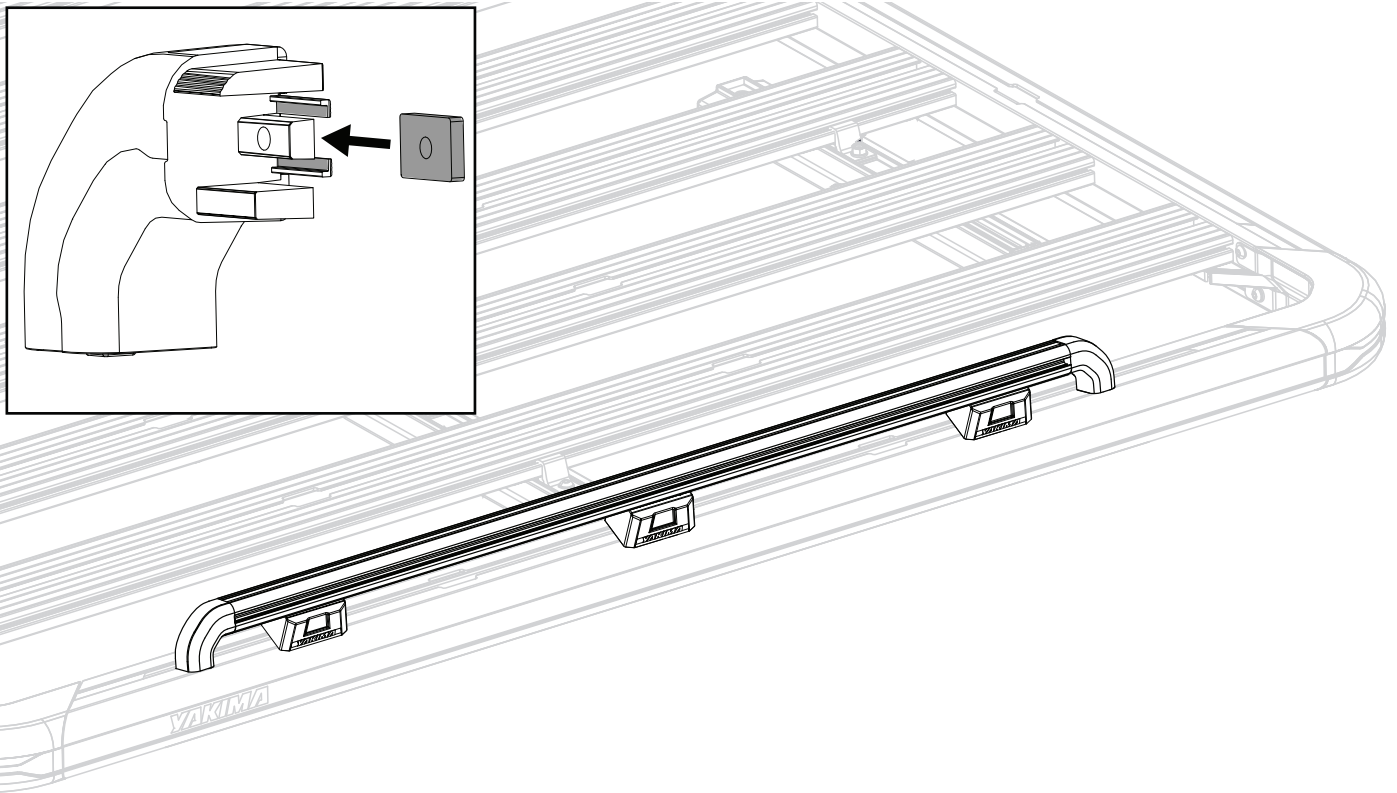
4 SLIDE RAIL ONTO SUPPORTS

Take a Rail Length and slide it through each of the Supports. This will help hold the components in place when installing the End Pieces.



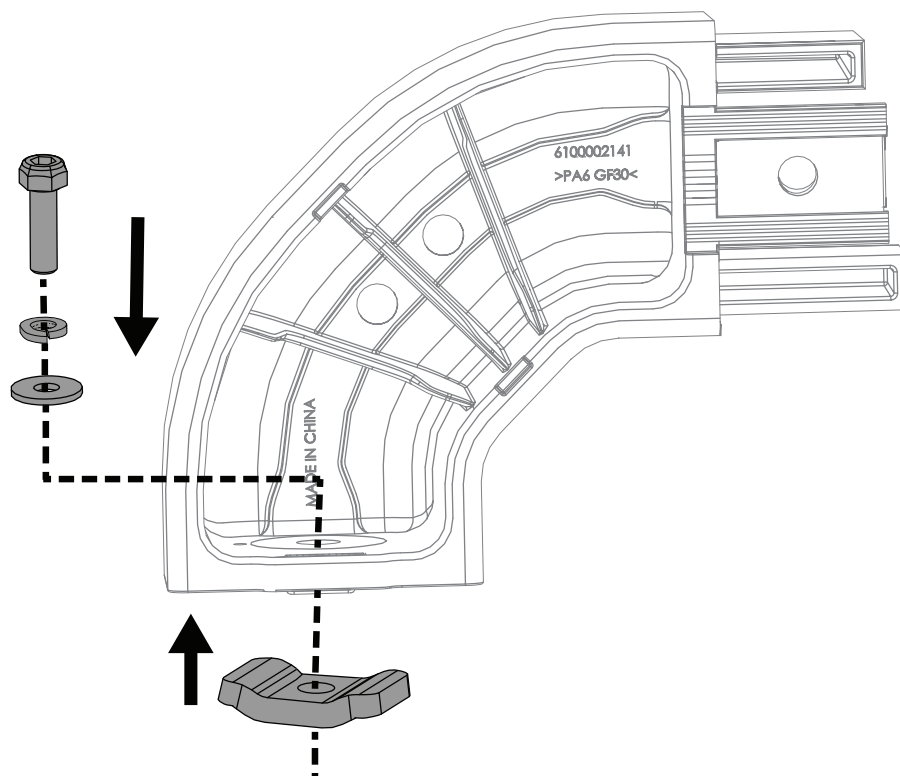
5 SLIDE TEE NUTS INTO END PIECES

Slide a Tee Nut into each of the End Pieces, then slide a Left and Right Assembly onto each end of the Rail Lengths.



6 LOOSELY SECURE END PIECES

Place a Hex Head Set Screw, Spring Washer and Flat Washer through the bottom of each End Piece and finger tighten to the Deformed Nut inserted at Step 1.



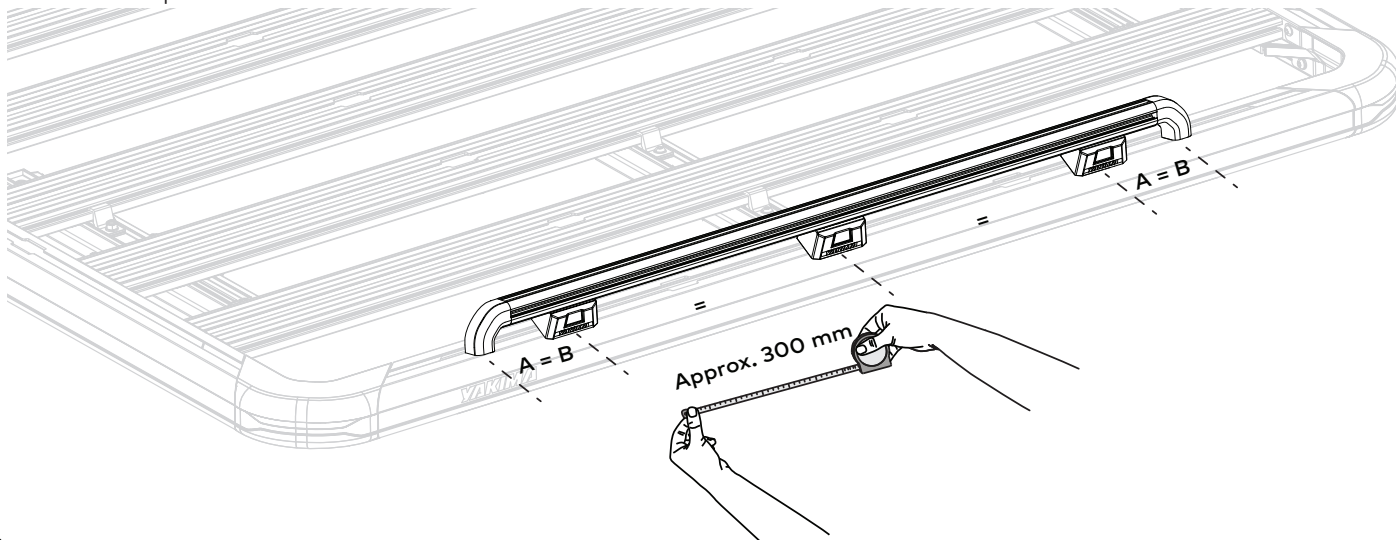
7

CONFIRM ALL COMPONENTS ARE IN POSITION BEFORE SECURING TO PLATFORM

Ensure all End Pieces are pushed flush into the extrusions of each Rail Length before checking Supports are spaced evenly along the channel so that:

- Maximum distance between each Support, or Support and End Piece, is around 300 mm; and
- No Support or End Piece is sitting on top of a Nut drop in point.

Once confirmed, evenly tighten all Supports and End Pieces onto the Platform using a torque of 6 Nm.

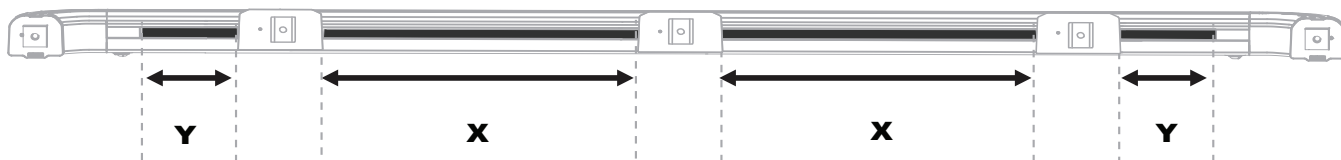


8

RECORD SLOT LENGTHS IN RAIL

Look under Rail Lengths. Using a Tape Measure, measure the channel/slot length between each of the Supports (if distances are not the same, return to previous step). Record this measurement in the table below. Now measure the length of the slot between each End Piece and closest Rail Support. (Once again, if distances are not the same at either end of the Rail then return to the previous step to re-adjust).

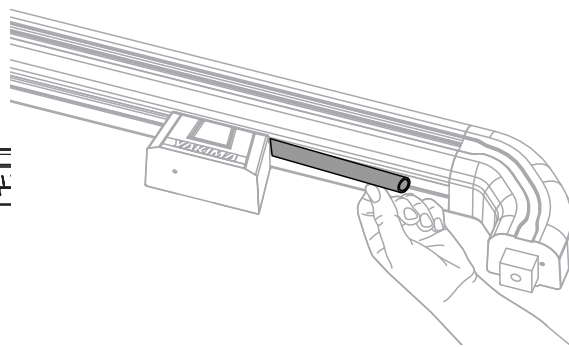
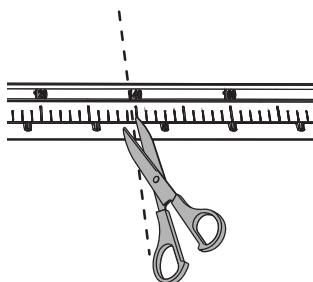
CHANNEL MEASUREMENTS	
Between Supports (X)	Between End Piece and Support (Y)
____mm	____mm



9

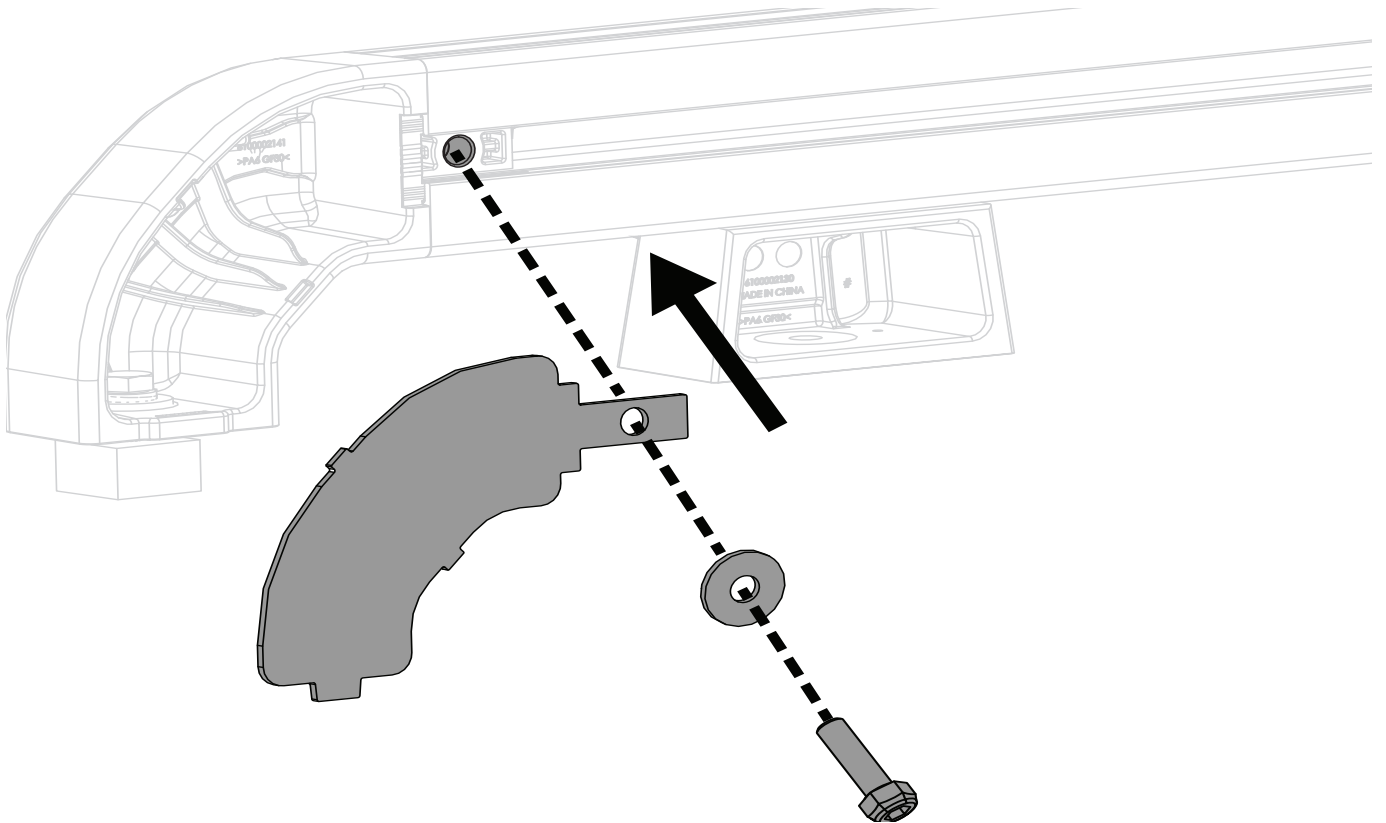
INSERT SLOT COVERS

Cut Slot Covers as per the measurements recorded in the table above and push the appropriate sections into the underside channel of both Perimeter Rails.

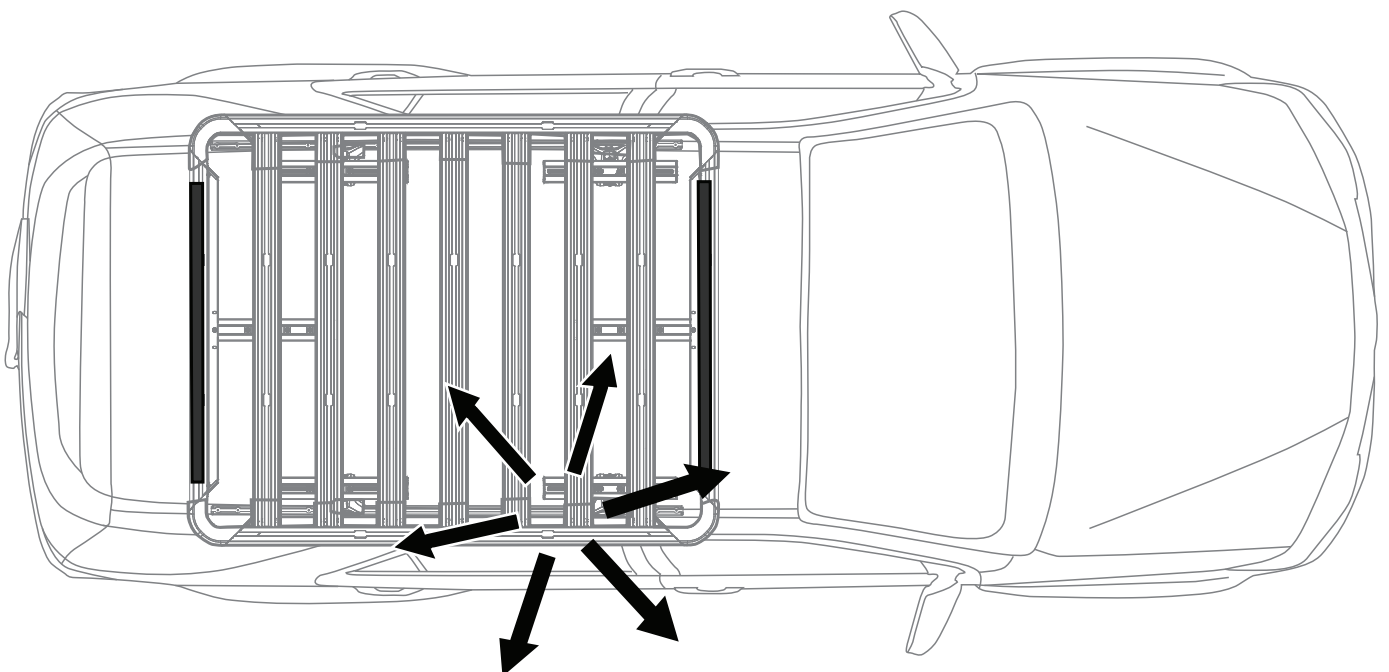


10**INSTALL COVERS ON END PIECES**

Once hardware to the Platform is tightened to specification, secure Covers onto each of the End Pieces using a Capscrew Bolt and a Flat Washer. Tighten to 6 Nm.

**11****PERIMETER RAIL INSTALLATION COMPLETE**

Check that Perimeter Rails have been secured correctly as per the mounting instructions.





YAKIMA AUSTRALIA PTY. LTD

17 Hinkler Court
Brendale, QLD 4500
Australia
1800 143 548

YAKIMA PRODUCTS, INC.

4101 Kruse Way
Lake Oswego, OR
97035-2541
USA
888 925 4621