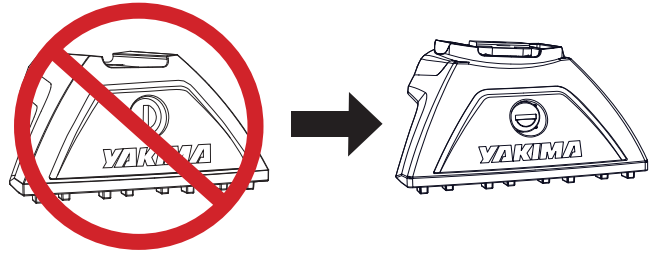


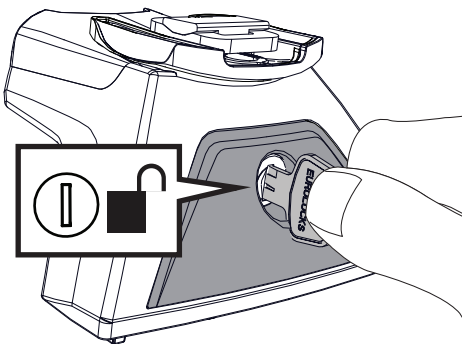
**THESE INSTRUCTIONS SUPPLEMENT THE BAR/LEG INSTALLATION SECTIONS THAT MAY STILL FEATURE THE MK1 LEG IN YOUR VEHICLE FIXED OR TRACK MOUNT FITTING KIT INSTRUCTION**



### BAR INSTALLATION

#### 1 REMOVE LEG COVERS.

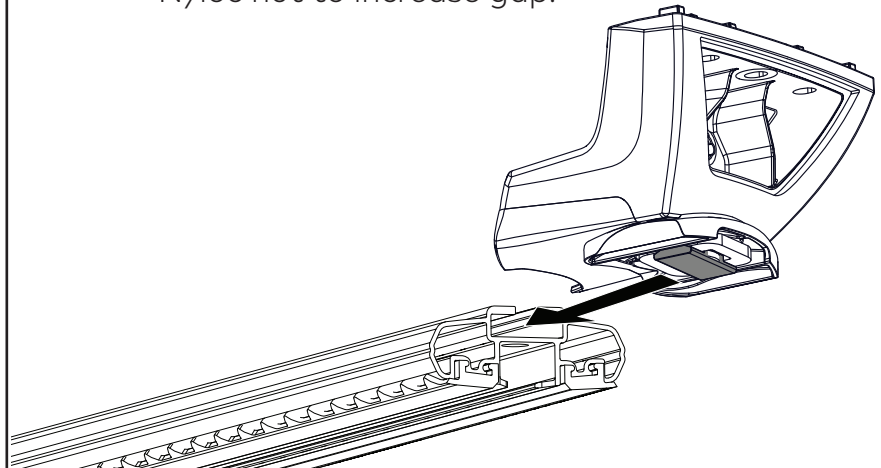
Using the keys supplied in the LockNLoad leg kit (sold separately), remove all leg covers.



#### 2 INSERT LEGS.

Slide the pre-assembled leg assemblies into the underside channel of TrimHD bars.

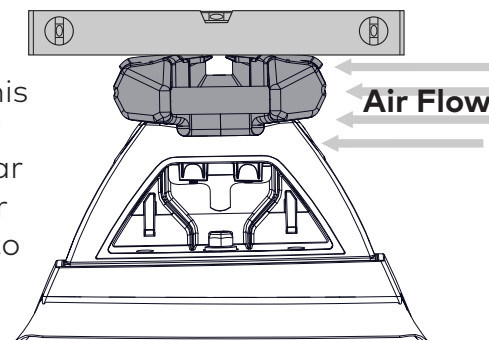
If leg assemblies will not slide in, loosen Nyloc nut to increase gap.



#### 3 LEVEL BARS - FIXED POINT.

With vehicle on a level surface, adjust all bar angles to be level using a spirit level.

The bar angle can be adjusted to reduce any wind noise. In most cases this is achieved by getting the bar in-line with air flow parallel to the ground.



#### 4 SECURE LEGS TO BARS.

Tighten all M8 Nyloc nuts to 9 Nm using a 13 mm spanner.

