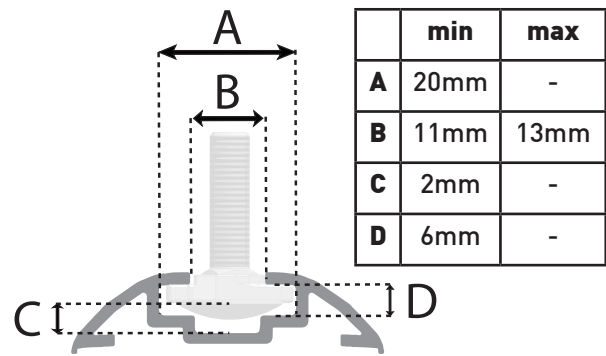


## FIRST TIME INSTALLATION

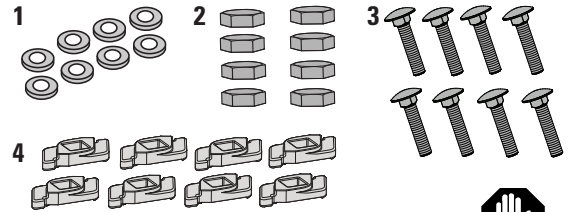
- Read instructions carefully before installation
- Check the contents of kit. Contact your YAKIMA dealer if any parts appear missing or damaged.
- Clean your tracks and vehicle prior to fitting the LOCKN'LOAD Universal Track Mounting Kit.
- Retain these instructions in your vehicle's glovebox after installing

## COMPATIBLE TRACK DIMENSIONS



## KIT CONTENTS

ITEM	COMPONENT	QTY
1.	Washer	x8
2.	M6 Nyloc Nut	x8
3.	Coach Bolt	x8
4.	Universal Track Mount Bolt Housing	x8



### TOOLS REQUIRED:

- 10mm Combination Spanner

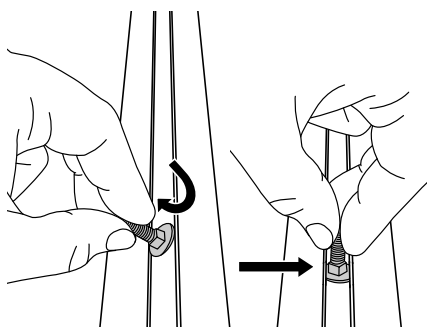
## INSTALLATION

# 1

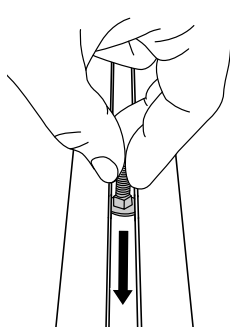
### ASSEMBLE BOLT HOUSING

Insert two (2) Bolt assemblies into each track - as shown below - for each bar that will be fitted (e.g. For one bar, insert two Bolt assemblies into the right track, and two into the left track).

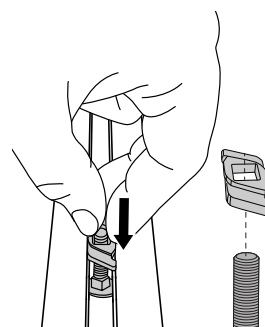
**The Bolt assemblies must be rotated clockwise to engage with the track.**



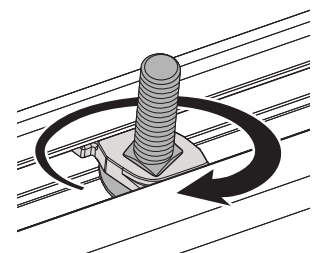
Insert Bolt by angling in and straightening



Slide bolt along inside of Track into position



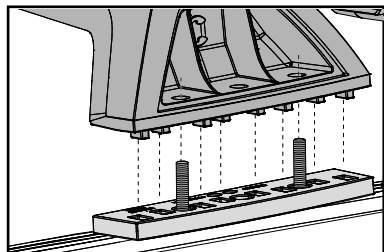
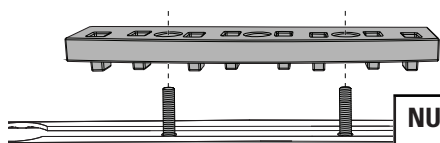
Place bolt housing over bolt, ensure correct orientation



Twist Bolt assembly clockwise to engage with the track

**2****HEIGHT PACKER FITMENT**

If using height packers, install now.

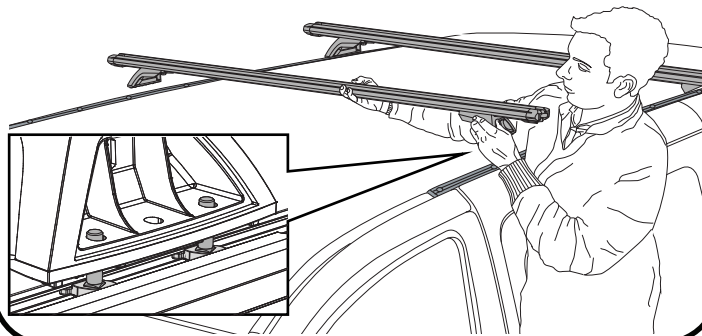


NUMBER OF HEIGHT PACKERS	M6 COACH BOLT LENGTH
0	25mm
1	30mm
2	40mm
3	45mm
4	55mm

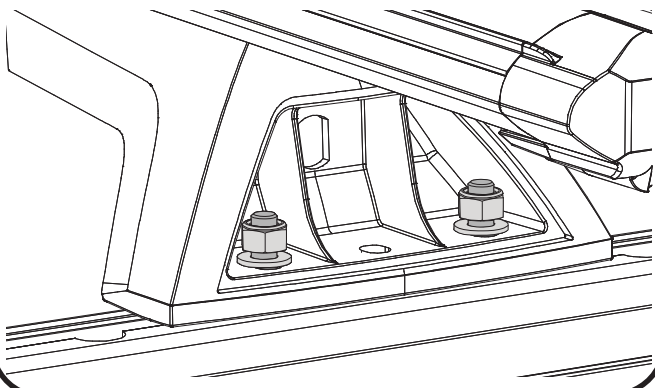
**3****BAR FITMENT**

Slide Bolt Housing assemblies within Track into position for front and rear Bar placement. Place Bar assembly onto Tracks, locating the Bolts in Track through holes on Legs as shown.

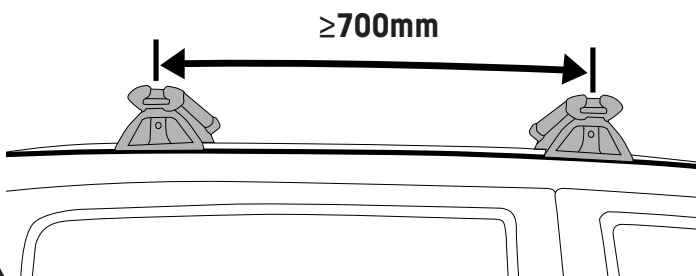
**Take care not to damage vehicle.**  
Repeat for remaining Bar/s.

**4****HAND TIGHTEN NUTS**

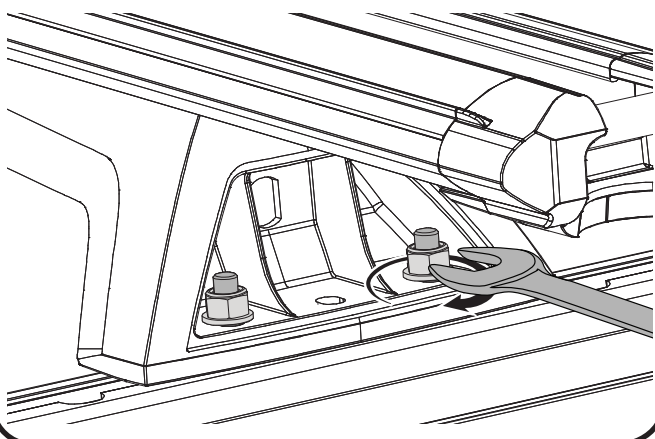
Assemble 1 x Washer and 1 x Nyloc Nut onto each Coach Bolt as shown. Finger tighten Nuts.

**5****BAR POSITION**

Position front and rear Bars along Tracks as required, ensuring there is a minimum of 700mm distance where possible between each Bar.

**6****TIGHTEN NUTS**

Tighten all Nyloc Nuts to 5Nm using a 10mm Open Ended Spanner. **Do NOT over tighten.**

**7****CHECK BAR LEGS ARE SECURE**

Check all Bar Legs are secure.

