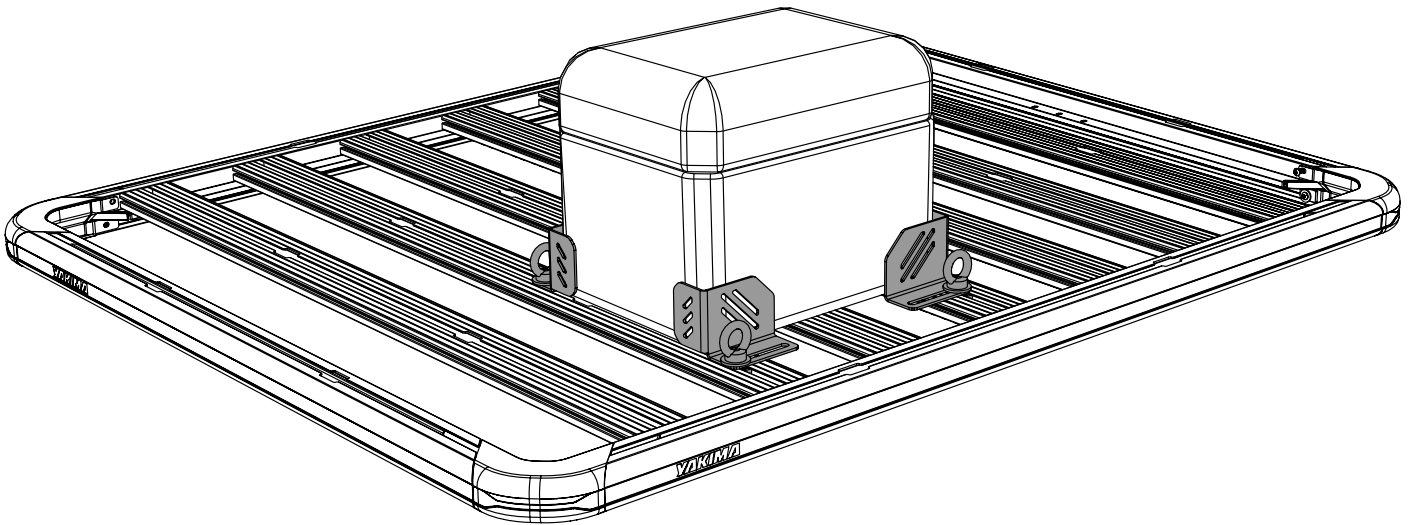


FIRST TIME INSTALLATION

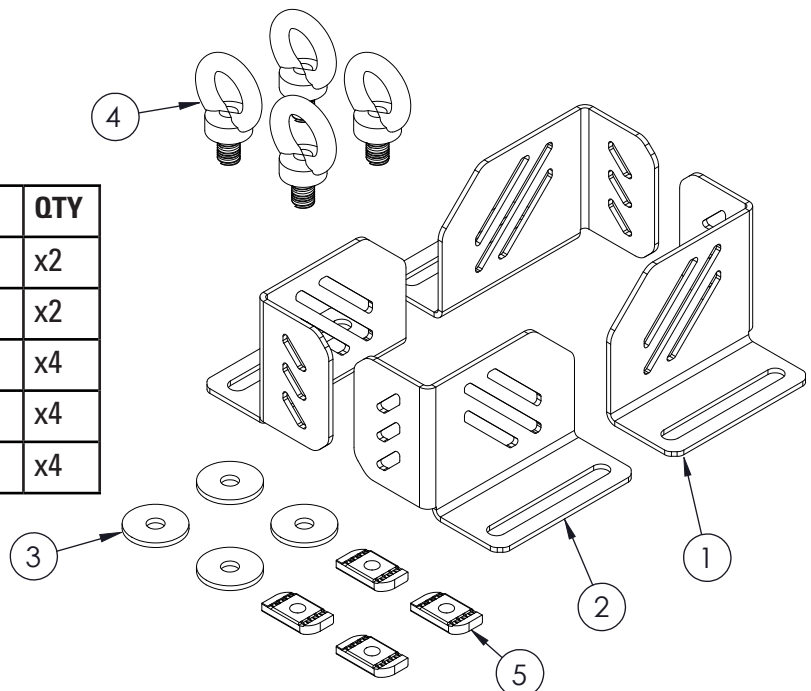
- Please read instructions carefully before installation.
- Check the contents of kit. Contact your YAKIMA dealer if any parts appear missing or damaged.
- Clean your Platform prior to fitting the LOCKN'LOAD Platform Corner Bracket.
- Place these instructions in the vehicle's glove box after installation is complete.



**PLATFORM SOLD SEPARATELY.
ESKY NOT INCLUDED.**

KIT CONTENTS

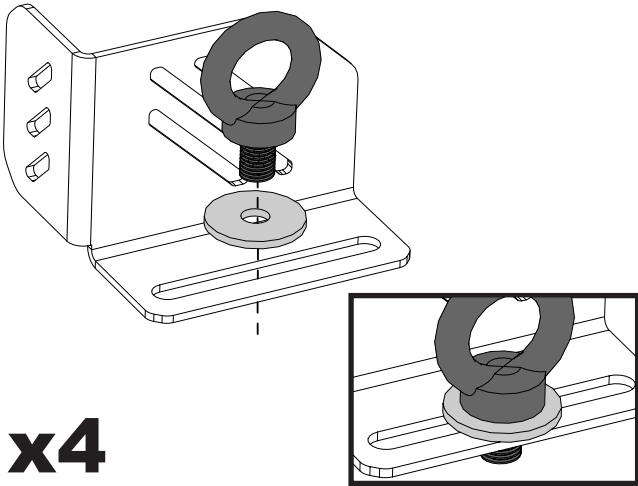
ITEM	COMPONENT	QTY
1.	Corner Bracket Left Bend	x2
2.	Corner Bracket Right Bend	x2
3.	Washer	x4
4.	Eye Bolt	x4
5.	Channel Nut	x4



INSTALLATION

1 EYE BOLT ASSEMBLIES

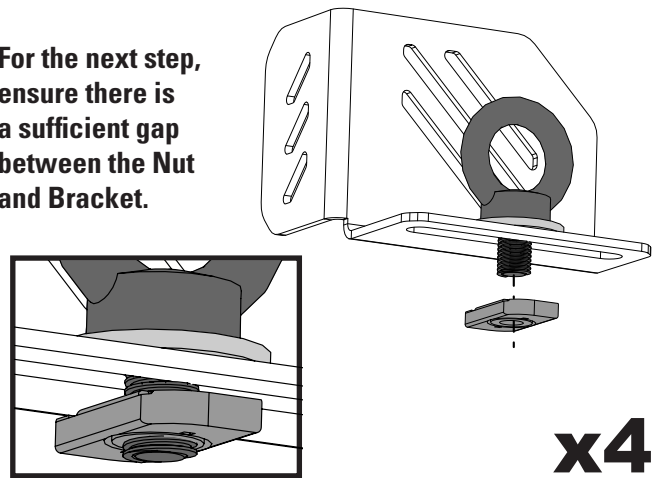
Assemble 1 x Eye Bolt and 1 x Washer. Insert into each corner bracket as shown.



2 ASSEMBLE CHANNEL NUTS

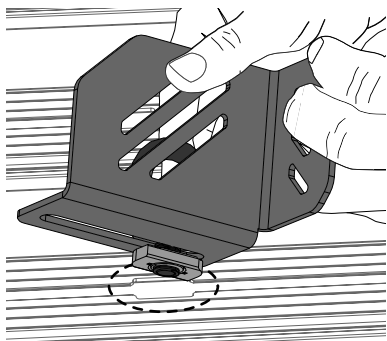
Assemble 1 x Channel Nut onto each Eye Bolt assembly as shown.

For the next step, ensure there is a sufficient gap between the Nut and Bracket.



3 POSITION CHANNEL NUTS IN SLATS

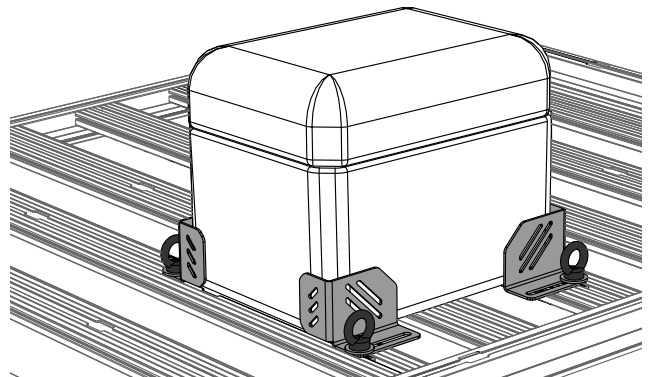
Locate Channel Nuts into cut outs on Platform slats, keeping in mind the size and position of the accessory to be carried.



If Bracket assembly will not slide in, loosen nut to increase gap.

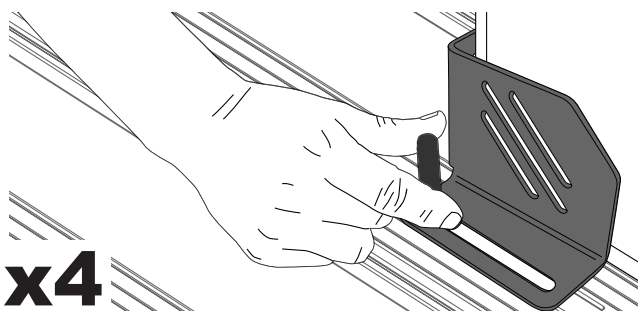
4 FIT TO ACCESSORY

Slide Bracket assemblies along Platform channels to snugly fit accessory to be carried.



5 TIGHTEN EYE BOLTS

Tighten Eye Bolts. A tool such a screwdriver through the eye of the bolt may be used for leverage to tighten Eye Bolts firmly.



6 SECURE LOAD

Secure accessory using non-elastic straps tied over accessory, through Eye Bolts and under Platform Slats.

