

MAXIMUM PRODUCT LOAD RATING:
 100 kg (sizes A, B, G, I, K, L) 50 kg (size F)
 150 kg (sizes C, D, E, H, J, N, P & U)



IMPORTANT:

- **LOAD = WEIGHT OF PLATFORM or BARS + MOUNTING SYSTEM + ACCESSORIES + CARGO**
- **PLEASE REFER TO VEHICLE MANUFACTURER SPECIFICATIONS FOR MAX ROOF LOAD CAPACITY OF VEHICLE. THE LOWEST LOAD RATING APPLIES.**
- **OFFROAD RATING: SCAN QR CODE FOR LOCKNLOAD LOAD RATING GUIDE. REDUCTIONS MAY APPLY.**



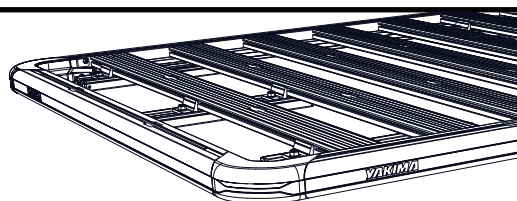
FIRST TIME INSTALLATION

- Please read instructions carefully before installation.
- Check the contents of kit. Contact your YAKIMA dealer if any parts appear missing or damaged.
- Clean your vehicle roof prior to fitting the LockNLoad Platform.
- Use caution when handling Platform Sides, Ends and Slats as sharp edges may be present.
- Images throughout show a 7 Slat Platform, indicative of Platform sizes A and B. Please note other Platforms will have differing amounts of slats and hardware.
- Place these instructions in the vehicle's glove box after installation is complete.



TOOLS REQUIRED:

- 4 mm Ball End Allen Key or Torque Wrench
- 13 mm Socket Wrench or Spanner



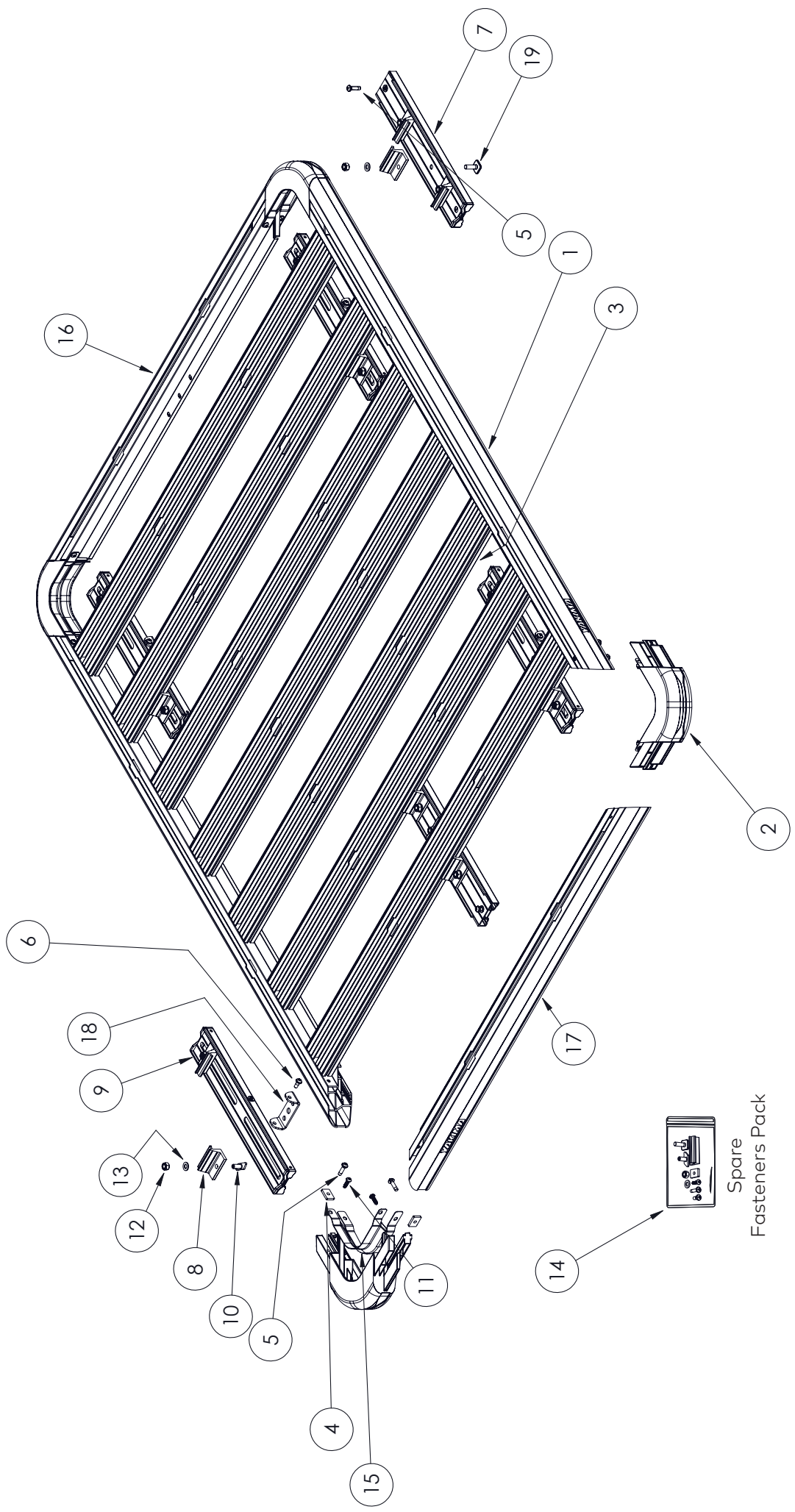
KIT CONTENTS

ITEM	COMPONENT	(8000337)	(8000338)	(8000339)	(8000340)	(8000341)
		Platform A 1240 x 1530 mm	Platform B 1380 x 1540 mm	Platform C 1380 x 1930 mm	Platform D 1425 x 2130 mm	Platform E 1235 x 2130 mm
1.	Platform Side Left & Right	x2	x2	x2	x2	x2
2.	Platform Corner	x4	x4	x4	x4	x4
3.	Slat	x7	x7	x9	x10	x10
4.	M6 Tee Nut	x8	x8	x8	x8	x8
5.	M6 Capscrew 25 mm with Washer	x10	x10	x10	x10	x10
6.	M6 Capscrew 16 mm with Washer	x36	x36	x48	x52	x52
7.	Platform Support Front and Rear	x2	x2	x2	x2	x2
8.	Slat Clamp	x14	x14	x18	x18	x18
9.	Mounting Block	x4	x4	x6	x6	x6
10.	M8 T Bolt	x8	x8	x12	x12	x12
11.	M6 Plastite Capscrew 20 mm	x8	x8	x8	x8	x8
12.	M8 Nyloc Nut	x14	x14	x18	x18	x18
13.	M8 Washer	x14	x14	x18	x18	x18
14.	Spare Fasteners Pack	x1	x1	x1	x1	x1
15.	Platform Corner Brace	x4	x4	x4	x4	x4
16.	Platform Rear	x1	x1	x1	x1	x1
17.	Platform Front	x1	x1	x1	x1	x1
18.	Leg Mounting Bracket	x4	x4	x6	x6	x6
19.	Square T Bolt M8 x 25	x6	x6	x6	x6	x6

KIT CONTENTS

ITEM	COMPONENT	(8000342)	(8000343)	(8000344)	(8000345)	(8000346)
		Platform F 1570 x 805 mm	Platform G 1570 x 1400 mm	Platform H 1570 x 2128 mm	Platform I 1650 x 1400 mm	Platform J 1650 x 1928 mm
1.	Platform Side Left & Right	x2	x2	x2	x2	x2
2.	Platform Corner	x4	x4	x4	x4	x4
3.	Slat	x3	x6	x10	x6	x9
4.	M6 Tee Nut	x8	x8	x8	x8	x8
5.	M6 Capscrew 25 mm with Washer	x10	x10	x10	x10	x10
6.	M6 Capscrew 16 mm with Washer	x20	x32	x52	x32	x52
7.	Platform Support Front and Rear	x1	x2	x2	x2	x2
8.	Slat Clamp	x12	x14	x18	x14	x18
9.	Mounting Block	x2	x4	x6	x4	x6
10.	M8 T Bolt	x8	x8	x12	x8	x12
11.	M6 Plastite Capscrew 20 mm	x8	x8	x8	x8	x8
12.	M8 Nyloc Nut	x12	x14	x18	x14	x18
13.	M8 Washer	x12	x14	x18	x14	x18
14.	Spare Fasteners Pack	x1	x1	x1	x1	x1
15.	Platform Corner Brace	x4	x4	x4	x4	x4
16.	Platform Rear	x1	x1	x1	x1	x1
17.	Platform Front	x1	x1	x1	x1	x1
18.	Leg Mounting Bracket	x4	x4	x6	x4	x6
19.	Square T Bolt M8 x 25	x4	x6	x6	x6	x6

ITEM	COMPONENT	(8000347)	(8000348)	(8000373)	(8000375)	(8000380)
		Platform K 1236 x 1400 mm	Platform L 1376 x 1400 mm	Platform N 1376 x 1400 mm	Platform P 1300 x 1928 mm	Platform U 1485 x 2128 mm
1.	Platform Side Left & Right	x2	x2	x2	x2	x2
2.	Platform Corner	x4	x4	x4	x4	x4
3.	Slat	x6	x6	x10	x9	x10
4.	M6 Tee Nut	x8	x8	x8	x8	x8
5.	M6 Capscrew 25 mm with Washer	x10	x10	x10	x10	x10
6.	M6 Capscrew 16 mm with Washer	x32	x32	x52	x48	x52
7.	Platform Support Front and Rear	x2	x2	x2	x2	x2
8.	Slat Clamp	x14	x14	x18	x18	x18
9.	Mounting Block	x4	x4	x6	x6	x6
10.	M8 T Bolt	x8	x8	x12	x12	x12
11.	M6 Plastite Capscrew 20 mm	x8	x8	x8	x8	x8
12.	M8 Nyloc Nut	x14	x14	x18	x18	x18
13.	M8 Washer	x14	x14	x18	x18	x18
14.	Spare Fasteners Pack	x1	x1	x1	x1	x1
15.	Platform Corner Brace	x4	x4	x4	x4	x4
16.	Platform Rear	x1	x1	x1	x1	x1
17.	Platform Front	x1	x1	x1	x1	x1
18.	Leg Mounting Bracket	x4	x4	x6	x6	x6
19.	Square T Bolt M8 x 25	x6	x6	x6	x6	x6

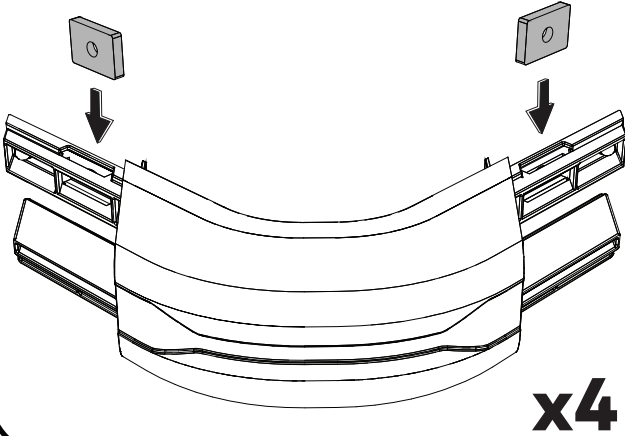


NOTE - 7 Slat Platform shown, indicative of Platform sizes A and B.

PLATFORM ASSEMBLY

1 INSERT NUTS INTO PLATFORM CORNERS

Insert 2 x M6 Tee Nuts into each Corner piece as shown.



2 FLIP SIDES & ENDS UPSIDE DOWN

Clear a work area that will be large enough for the Platform when fully assembled.

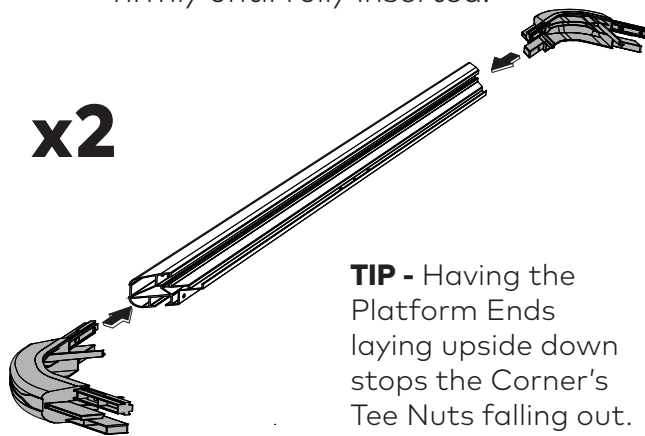
Place Platform Ends and Sides upside down in this work space (use logos as reference).



TIP - To prevent scratching, place a blanket (or the Platform's carton, flattened out) over the work area.

3a ASSEMBLE PLATFORM ENDS

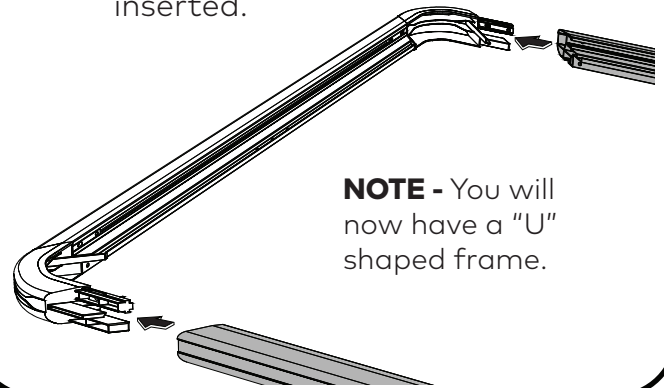
Insert Platform Corners into Platform Ends. Push firmly until fully inserted.



TIP - Having the Platform Ends laying upside down stops the Corner's Tee Nuts falling out.

3b ASSEMBLE PLATFORM ENDS AND SIDES

Take one of the Platform End assemblies created in Step 3a, and fit the Platform Sides to the corners. Push firmly until fully inserted.

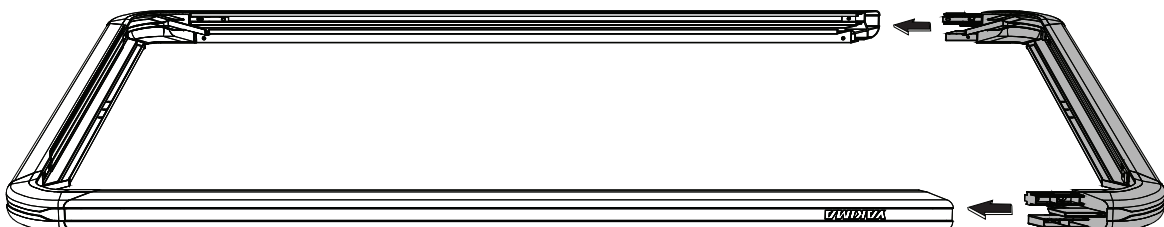


NOTE - You will now have a "U" shaped frame.

3c COMPLETE PLATFORM PERIMETER

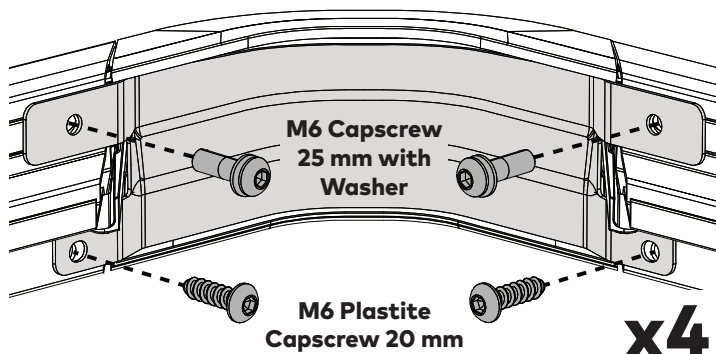
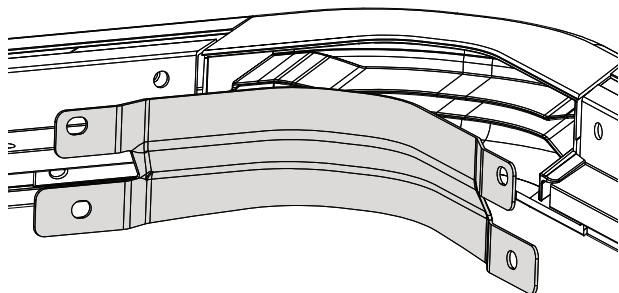
Connect remaining End assembly to the Sides as shown below - this completes the four sides of the Platform's perimeter.

Leave Platform Perimeter **upside down** for Steps 4-7.



4**INSTALL CORNER BRACES**

Secure Corner Braces to all four Corner Pieces using 2 x M6 Capscrew 25 mm with Washer and 2 x M6 Plastite Capscrew 20 mm as shown. Tighten all screws to 4 Nm with a 4 mm Ball End Allen Key or a suitable Torque Wrench.

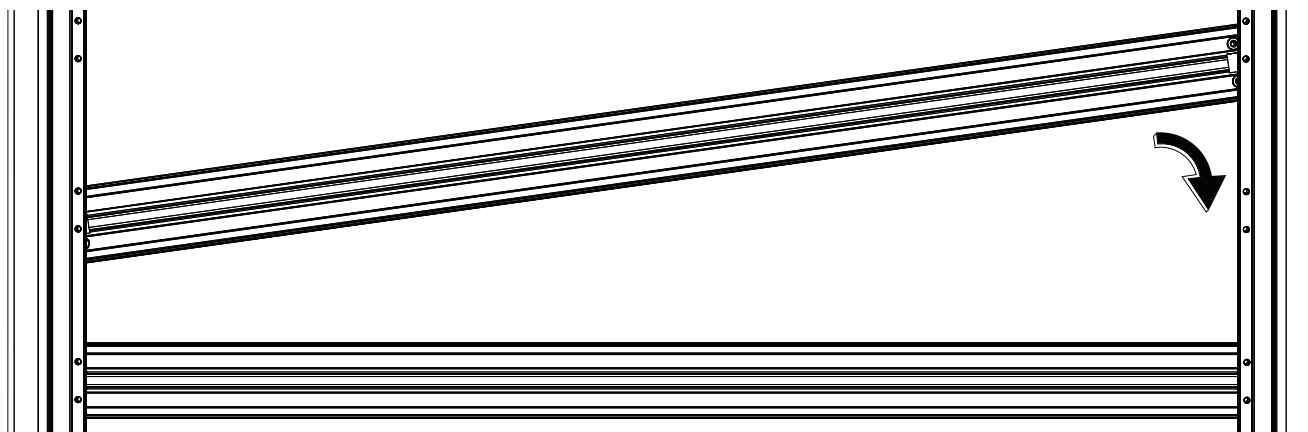
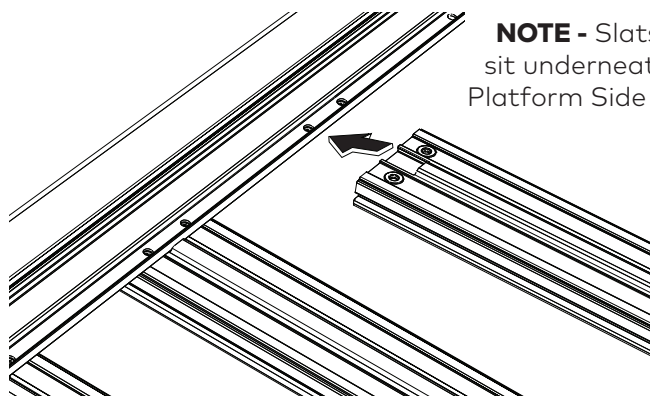
**5****INSTALL SLATS**

Flip Slats over.



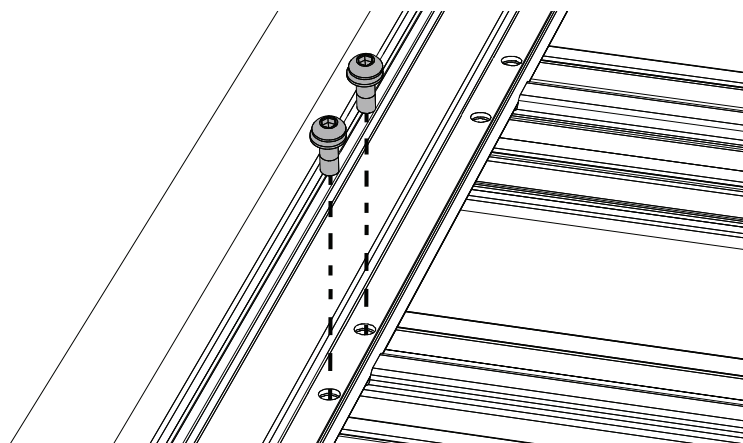
One-by-one, slide Slats into position underneath the perimeter's inside lip. Line up rivnuts on each end of the Slat with the holes in the Platform Sides.

Repeat until all Slats are in place.

**6****SECURE SLATS**

Starting from the middle Slat and working outwards, secure each Slat end using 2 x M6 Capscrew 16 mm with Washer as shown.

Tighten all screws to 4 Nm with a 4 mm Ball End Allen Key or a suitable Torque Wrench.



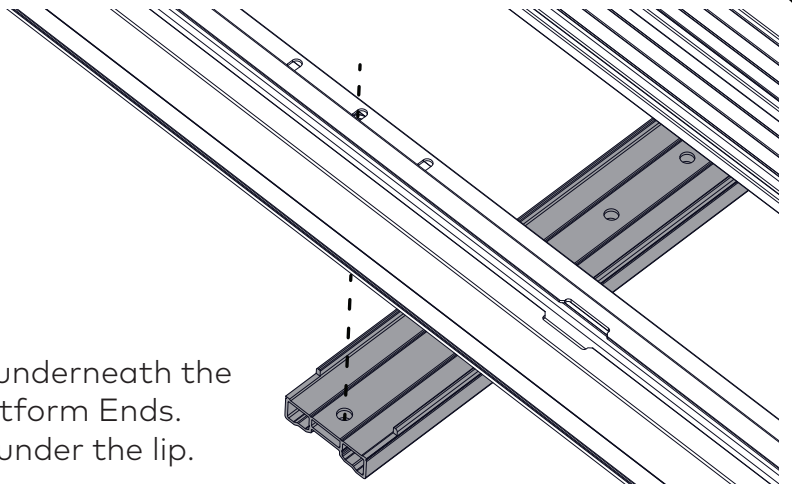
7

POSITION PLATFORM SUPPORTS

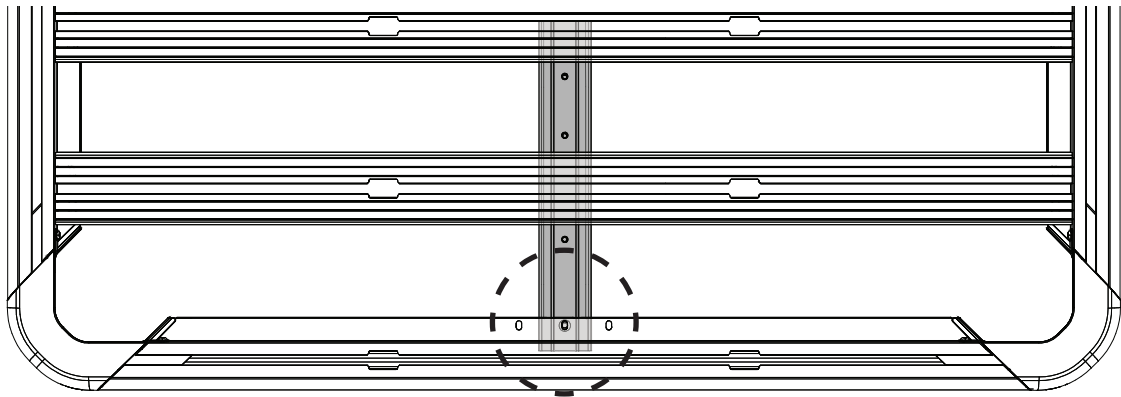
Carefully flip Platform over so it faces right way up.



Position the Platform Supports underneath the centre of the Front and Rear Platform Ends. The flat end of the Support sits under the lip.



The Platform Supports ideally should be fixed using the centre of the three holes. However, these can be offset left or right depending on the vehicle's roof or usage requirements. For instance, to prevent interference with an antenna in the centre of a vehicle roof (e.g. Nissan Navara NP300, Ford Ranger).



8

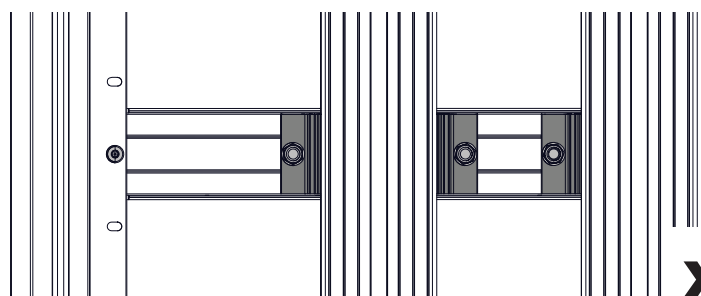
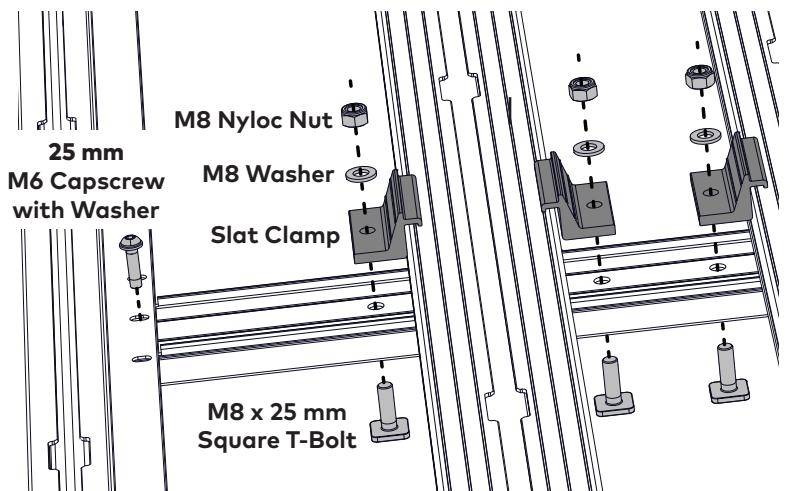
SECURE PLATFORM SUPPORTS

Position a Slat Clamp on each side of the Slat that the Support passes under as shown.

Secure Platform Support to Platform End using one M6 x 25 mm Capscrew with Washer through the middle Platform End hole.

Secure Platform Support to Slats using one M8 x 25 mm Square T-Bolt underneath, one M8 Washer and M8 Nyloc Nut on top of each Slat Clamp as shown.

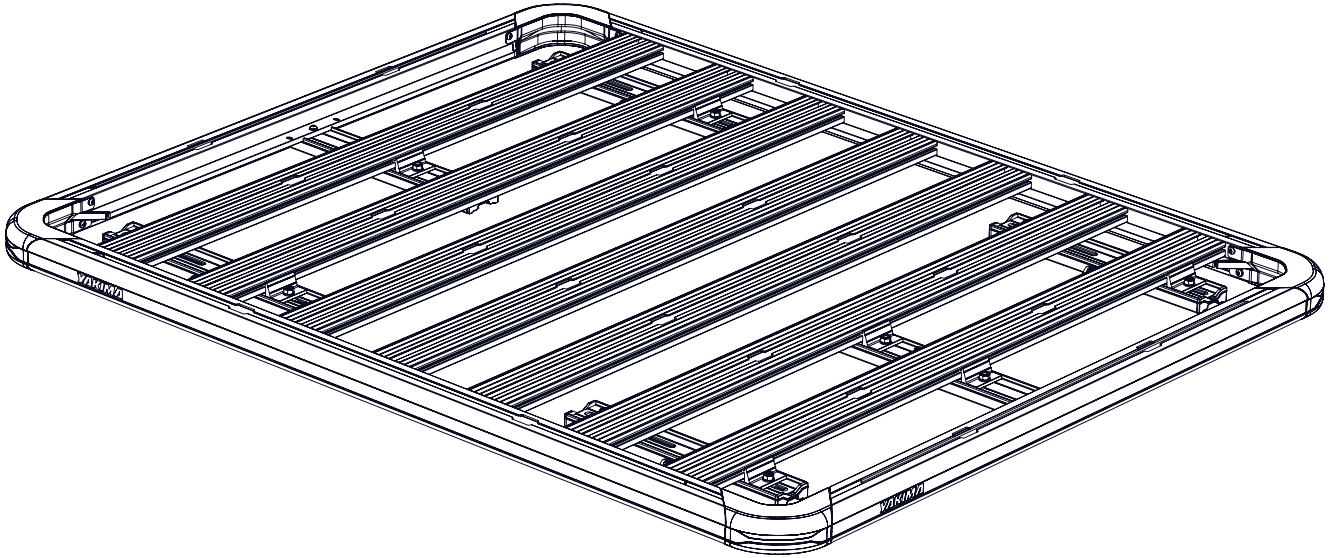
Tighten all screws to 7 Nm with a 13 mm Socket Wrench or Spanner. Repeat for other end.



9

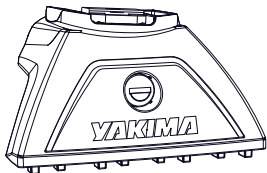
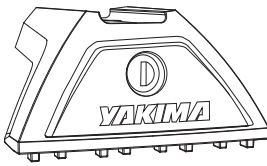
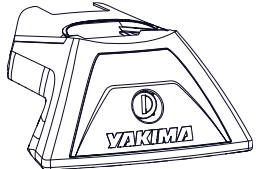

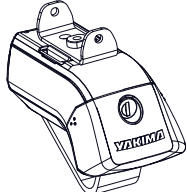
PLATFORM ASSEMBLY COMPLETE

Check that Platform has been assembled correctly as per the installation instructions.



NOTE - 7 Slat Platform shown - indicative of sizes A and B.

**PLEASE REFER (i) TO INFO AT TOP OF PAGE 8,
AND; (ii) TO STEPS IN TABLE BELOW:**

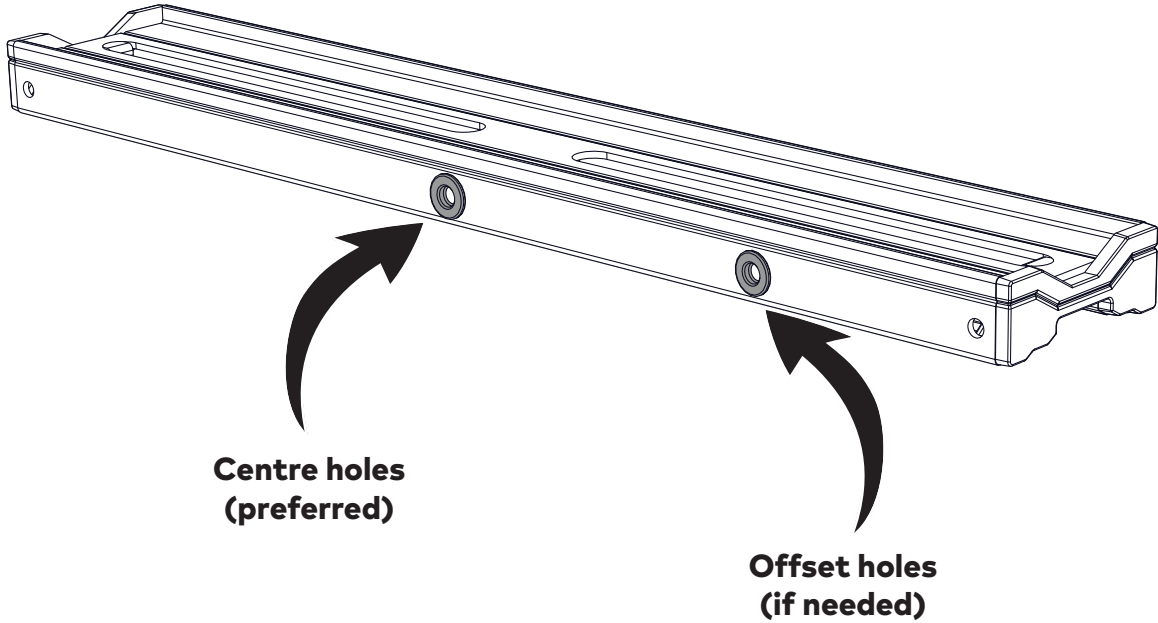
NAME	IMAGE	LEG PACK PART NUMBER	PAGE	STEPS
Fixed & Track Mount Mk2		9800302 / 9800304 / 9800306	8 + 8 & 9	Special Note + 1 to 4
Fixed & Track Mount Mk1		8000142 / 8000143 / 8000144	8 + 10	Special Note + 1 to 4
Flush Rail		8002001 with 8000367	8 + 8 & 9	Special Note + 1 to 4
Gutter Mount		8000351 / 8000352 / 8000353	8 + 10	Special Note + 1 to 4
Raised Rail		8000389	8 + 9	Special Note + 4 only



SPECIAL NOTE

Your Pivot Mounts have two sets of mounting holes. Where possible, always use the centre holes for attaching to Mounting Bracket.

If extra clearance is needed due to Platform-to-roof fitment needs, the offset holes can be used.

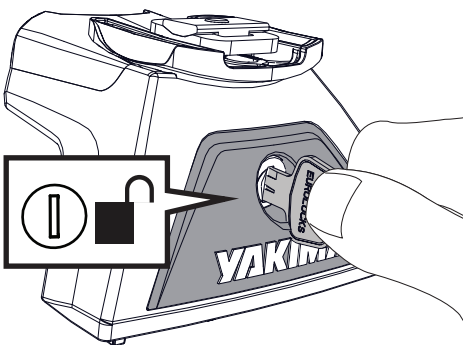


LEG MOUNTING INSTRUCTIONS

1

REMOVE LEG COVERS

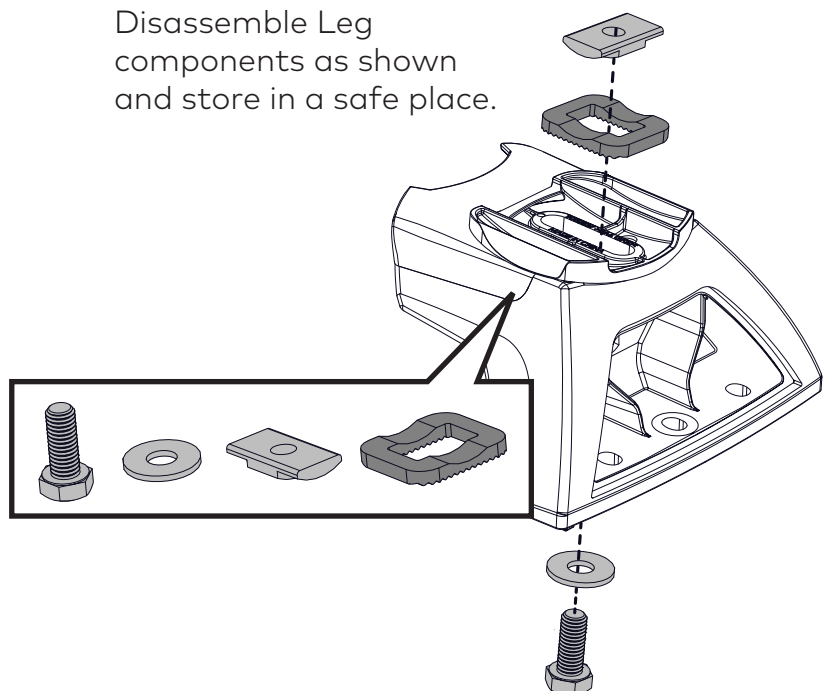
Using the keys supplied in the LockNLoad Leg Kit (sold separately), remove all Leg Covers.



2

DISASSEMBLE LEG ASSEMBLIES

Disassemble Leg components as shown and store in a safe place.

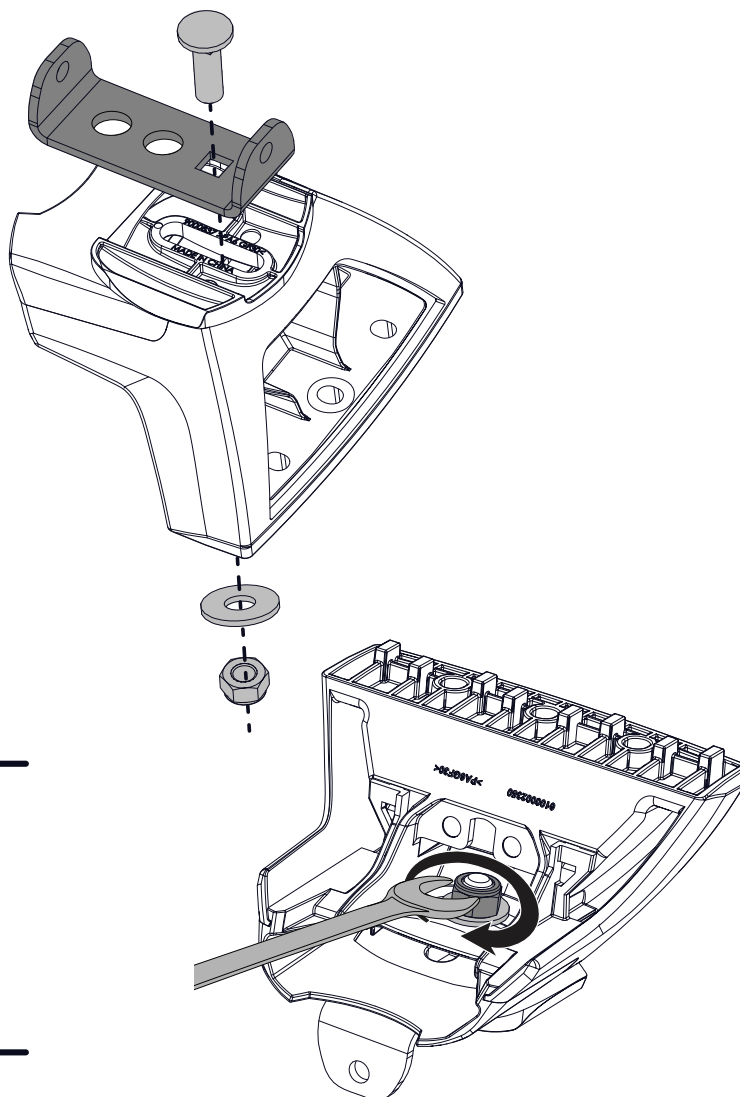
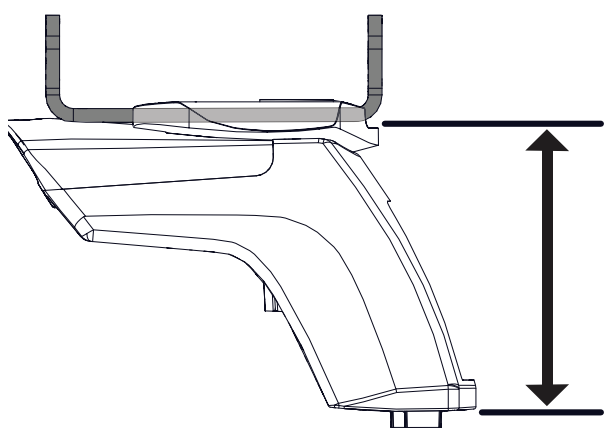


3 ASSEMBLE LEGS

Assemble each Leg as shown using one Platform Mount Bracket, M8 Coach Bolt, M8 Washer and M8 Nut from the LockNLoad Leg Kit.

All Brackets should be parallel with the base of the Leg prior to tightening.

Tighten all M8 nuts to 9 Nm using a 13 mm Spanner.



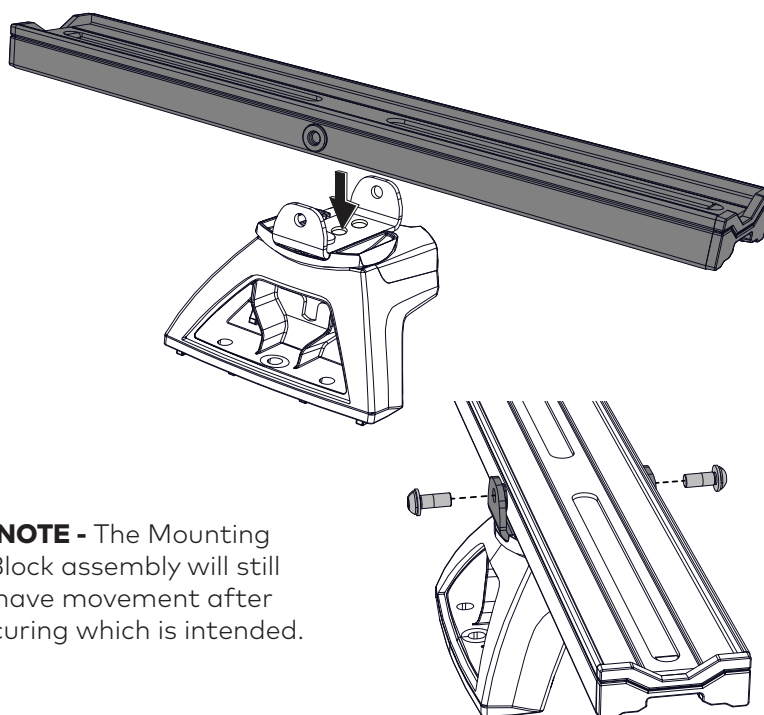
4 INSTALL MOUNTING BLOCKS

Place a Mounting Block (from Platform Kit) on top of each Leg assembly, lining up the rivnut holes on Mounting Block with holes on tabs of Platform Mount Bracket.

Secure with two M6 Capscrews 16 mm with Washers as shown.

Tighten all Capscrews to 4 Nm with a 4 mm Ball End Allen Key or a suitable Torque Wrench.

NOTE - The Mounting Block assembly will still have movement after securing which is intended.

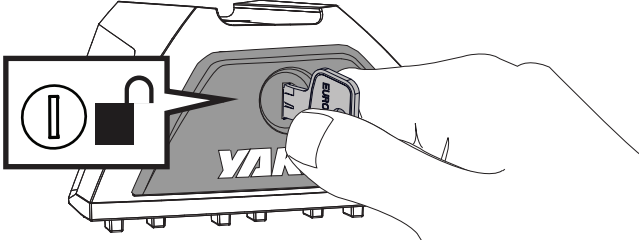


**PLEASE PROCEED TO PAGES 11 - 13 FOR
VEHICLE MOUNTING INSTRUCTIONS**

LEG MOUNTING INSTRUCTIONS

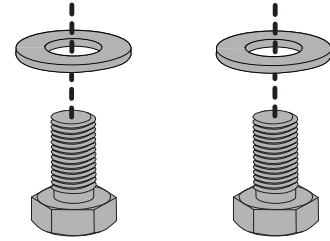
1 REMOVE LEG COVERS

Using the keys supplied in the LockNLoad Leg Kit (sold separately), remove all Leg Covers.



2 ASSEMBLE SCREWS

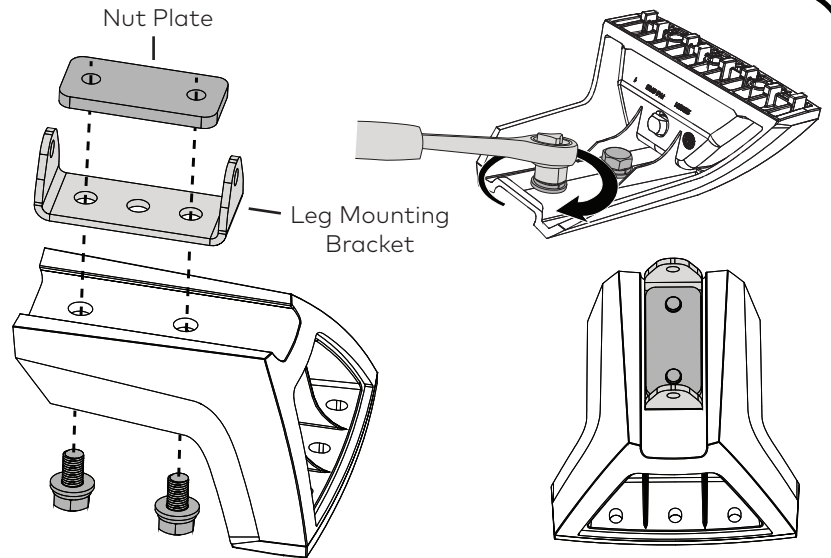
From the Leg Kit, assemble one M8 Washer onto each M8 Set Screw 16 mm as shown.



3 ASSEMBLE LEGS

Assemble each Leg as shown using one Leg Mounting Bracket (from Platform Kit), one Nut Plate (from Leg Kit), and the two screw assemblies from the previous step.

Tighten all M8 Set Screws to 7 Nm using a 13 mm Socket Wrench or Spanner.

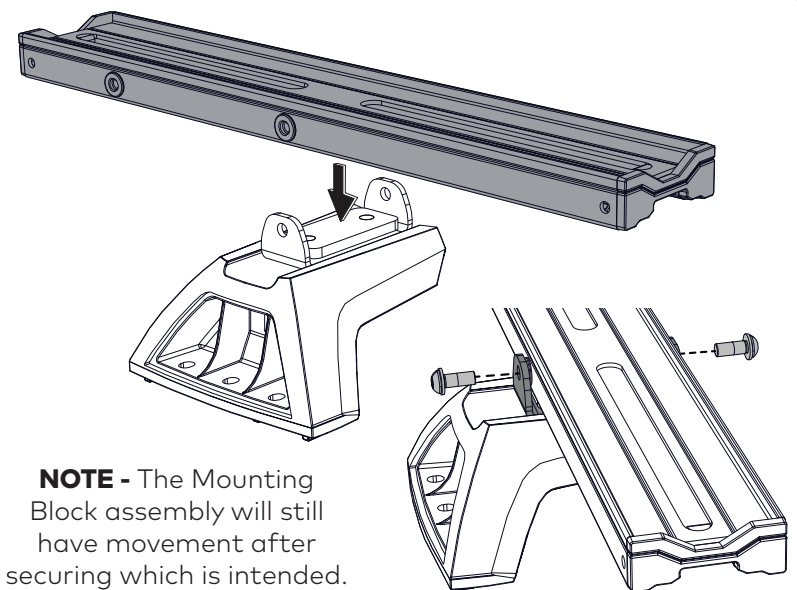


4 INSTALL MOUNTING BLOCKS

Place a Mounting Block (from Platform Kit) on top of each Leg assembly, lining up the rivnut holes on Mounting Block with holes on tabs of Leg Mounting Bracket.

Secure with two M6 Capscrews 16 mm with Washer as shown.

Tighten all Capscrews to 4 Nm with a 4 mm Ball End Allen Key or a suitable Torque Wrench.



NOTE - The Mounting Block assembly will still have movement after securing which is intended.

**PLEASE PROCEED TO PAGES 11 - 13 FOR
VEHICLE MOUNTING INSTRUCTIONS**

VEHICLE MOUNTING INSTRUCTIONS

1 MOUNT LEGS TO VEHICLE

Mount Legs to vehicle as per LockNLoad vehicle specific Mounting Kit (sold separately). Vehicle specific instructions can be viewed and downloaded at our website.

NOTE - Bars are not required to install Platform.

YAKIMA LockNLoad™ Track Mounting Kit
 MITSUBISHI TRITON MQ DUAL CAB 2015-
 2 BAR TRACK HEAVY DUTY ROOF RACK SYSTEM

MAX VEHICLE ROOF LOAD RATING: 100 KG
 TOTAL LOAD EQUALS WEIGHT OF ROOF RACKS + ACCESSORIES + CARGO

FIRST TIME INSTALLATION

- Please read instructions carefully before installation.
- Check the contents of kit, contact your YAKIMA dealer if any parts appear missing or damaged.
- Check your roof thoroughly prior to fitting the LockNLoad Track Heavy Duty Roof Rack System.
- Please these instructions in the vehicle's glove box after installation is complete.

TOOLS REQUIRED:

- Reamer or Corbiter Drill
- Saw
- 10 mm Open Ended Spanner
- Span Measure
- 12 mm Socket or Spanner
- Masking Tape
- Rubber Mallet (Optional)
- Block Gun
- Flat Head Screw Driver
- Drill Bit Stop
- Mastic Silicone Sealant
- Vehicle Cleaner
- M2 Phillips Head Screwdriver
- Zinc Rich Cold Galvanneal Coating

KIT CONTENTS

ITEM	COMPONENT	QTY	ITEM	COMPONENT	QTY
1	Track Mkt. Triton MQ 15- Right Hand Side	1	8	1/2" x 3" x 1/2" Dimple	2
2	Track Mkt. Triton MQ 15- Left Hand Side	1	9	LockNLoad Height Packer	4
3	Track Nut Plate	4	10	End Cap Rear Left	1
4	M4 Washer	4	11	End Cap Rear Right	1
5	M4 Spring Washer	4	12	End Cap Front Left	1
6	Block	4	13	End Cap Front Right	1
7	M6 Hex Screws 20 mm	4	14	M6 Nylon Hexed Collar	2
8	M6 Hex Screws 30 mm	4	15	Block Gun Nozzle	1

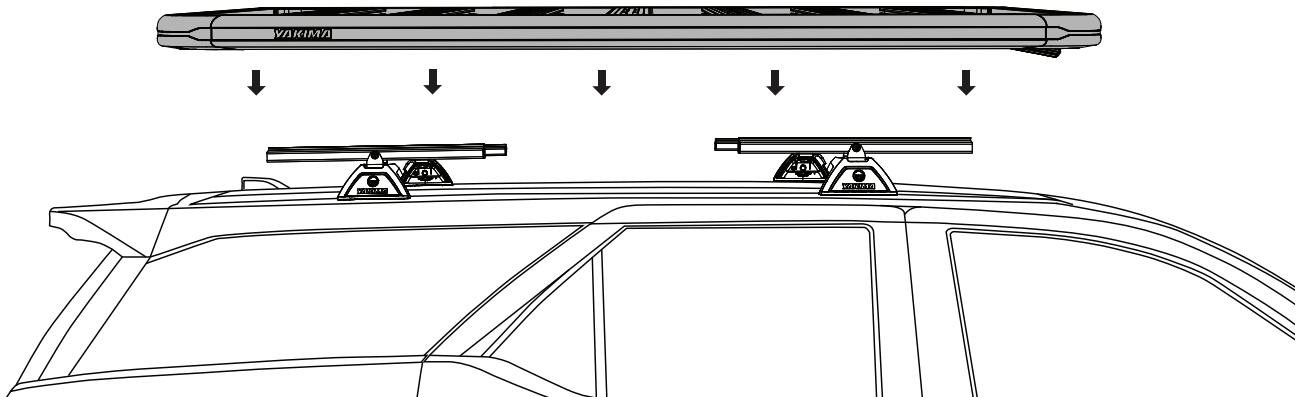
LEGS AND BAR COMPONENTS SOLD SEPARATELY

2 LIFT PLATFORM ONTO VEHICLE

With the help of an assistant, carefully lift Platform up and onto Mounting Blocks on vehicle roof. Centre Platform evenly on Legs so there is an equal overhang on sides and ideally on the front and rear.

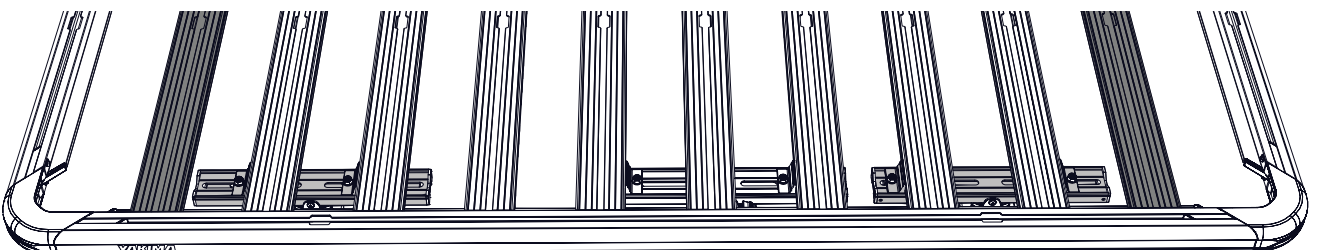
NOTE - Wind Deflector is to be at the front of the vehicle.

NOTE - For hatch vehicles ensure to position the Platform so that there is adequate hatch clearance when fully opened.



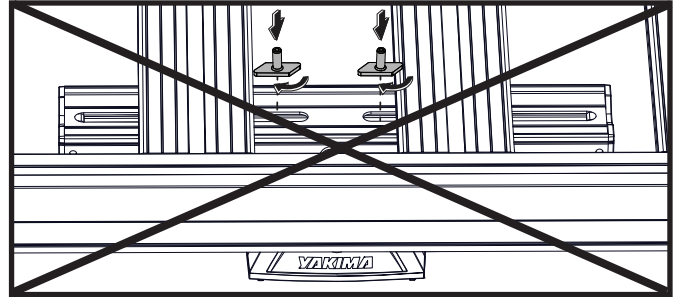
3 MAXIMUM OVERHANG

The maximum unsupported distance from Mounting Block is ONE slat on either end as shown.

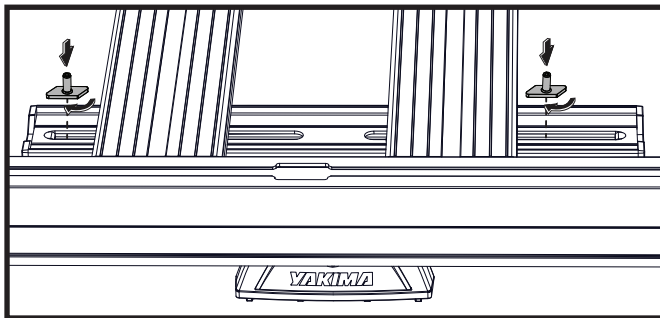
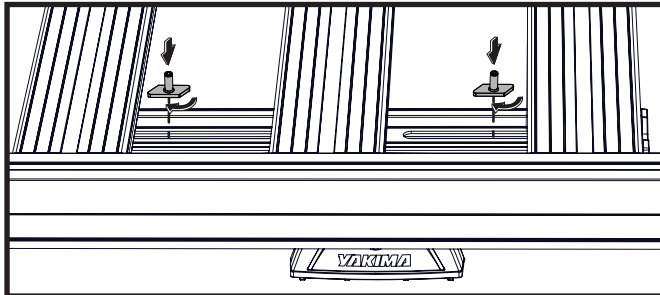


4 INSERT T-BOLTS INTO MOUNTING BLOCKS

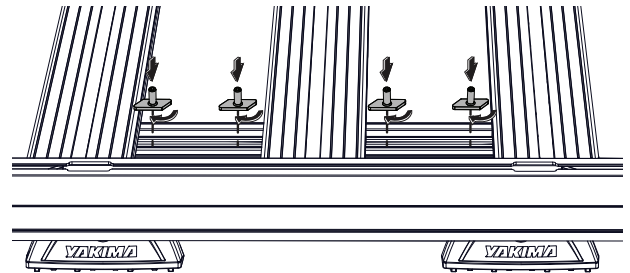
Insert one M8 T-Bolt into Mounting Block channel on either side of each Leg. Twist to lock into place. The larger the distance between each pair of M8 T-Bolts the better. See images for possible location scenarios:



Do not use this configuration



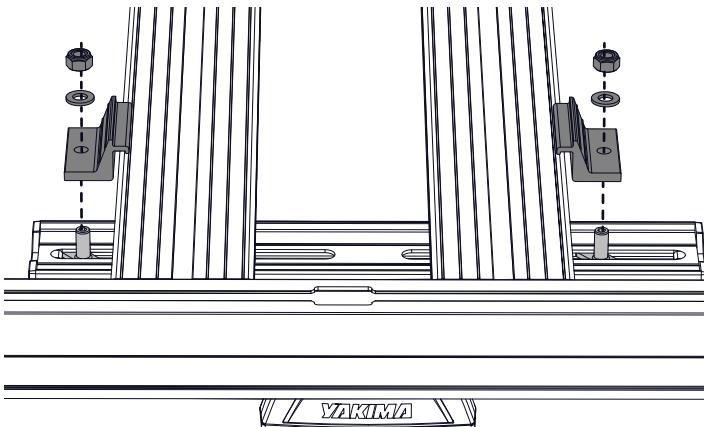
4a PLATFORM F ONLY (1570 x 805 mm)



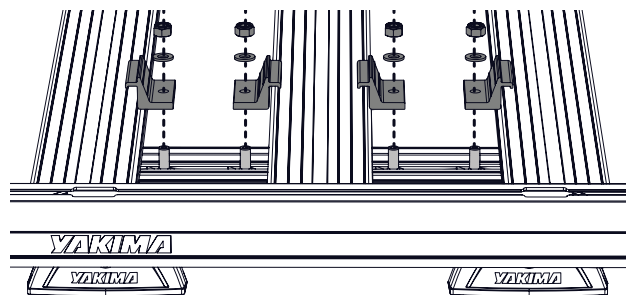
5 SECURE MOUNTING BLOCKS

Secure Mounting Blocks to Platform Slats using one Slat Clamp, one M8 Washer and one M8 Nyloc Nut onto each M8 T-Bolt as shown.

Tighten all Nuts to 7 Nm using a 13 mm Socket Wrench or Spanner.



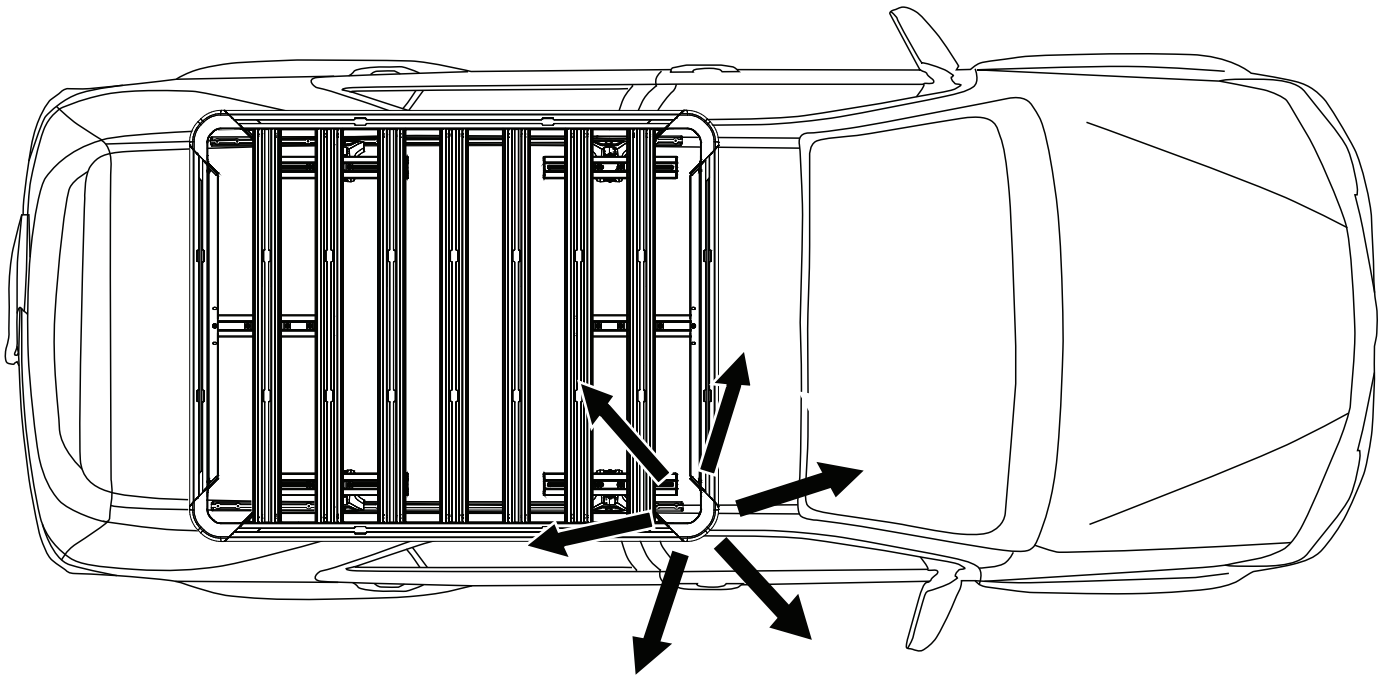
5a PLATFORM F ONLY (1570 x 805 mm)



NOTE - Do not over tighten Slat Clamps past 7 Nm as this may reduce clamping force.

6**PLATFORM MOUNTING COMPLETE**

Check that Platform has been secured correctly as per the mounting instructions.

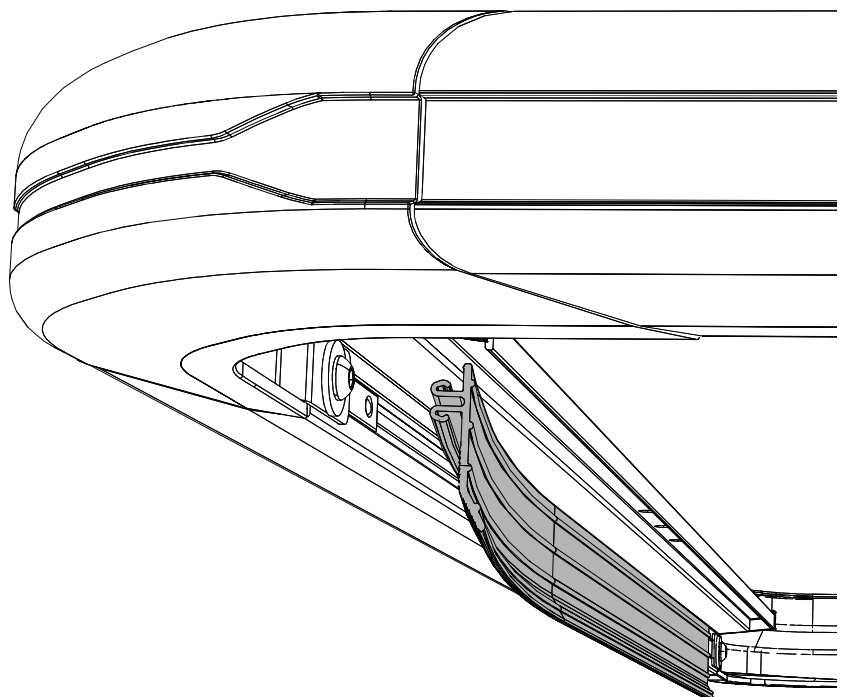


NOTE - 7 Slat Platform shown - indicative sizes A and B.

**WIND DEFLECTOR
REMOVAL**

NOTE - The Wind Deflector can be removed to suit certain anchors/accessories to be used with the front extrusion. This is done by simply peeling the part out of the slot, starting at one end and working across the length of the deflector.

Installation is the reverse and should be confirmed by hearing an audible 'CLICK' when the deflector is fully installed.



YAKIMA

www.yakima.com.au

www.yakima.co.nz

www.yakima.com

www.yakima.eu

YAKIMA AUSTRALIA PTY LTD

17 Hinkler Court
Brendale, QLD 4500
Australia
1800 143 548

YAKIMA PRODUCTS, INC.

4101 Kruse Way
Lake Oswego, OR
97035-2541
USA
888 925 4621

ALL CONTENT SUBJECT TO YAKIMA AUSTRALIA PTY LTD COPYRIGHT © 2017