

**MAXIMUM PRODUCT LOAD RATING: 100 kg** 

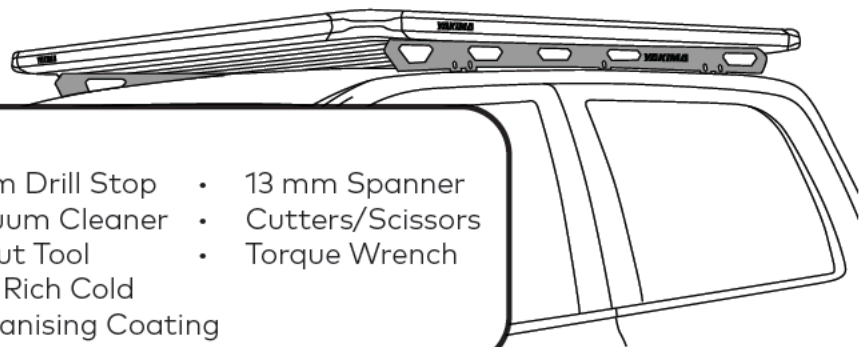
**IMPORTANT:**

- **LOAD = WEIGHT OF PLATFORM or BARS + MOUNTING SYSTEM + ACCESSORIES + CARGO**
- **PLEASE REFER TO VEHICLE MANUFACTURER SPECIFICATIONS FOR MAX ROOF LOAD CAPACITY OF VEHICLE. THE LOWEST LOAD RATING APPLIES.**
- **OFFROAD RATING: SCAN QR CODE FOR LOCKNLOAD LOAD RATING GUIDE. REDUCTIONS MAY APPLY.**



### FIRST TIME INSTALLATION

- Please read instructions carefully before installation.
- Check the contents of kit. Each LockNLoad RuggedLine has the last four digits of the kit's part number lasered in. Contact your YAKIMA dealer if any parts appear missing, incorrect or damaged.
- Clean your roof thoroughly prior to fitting the LockNLoad RuggedLine.
- Place these instructions in the vehicle's glove box after installation is complete.



**TOOLS REQUIRED:**

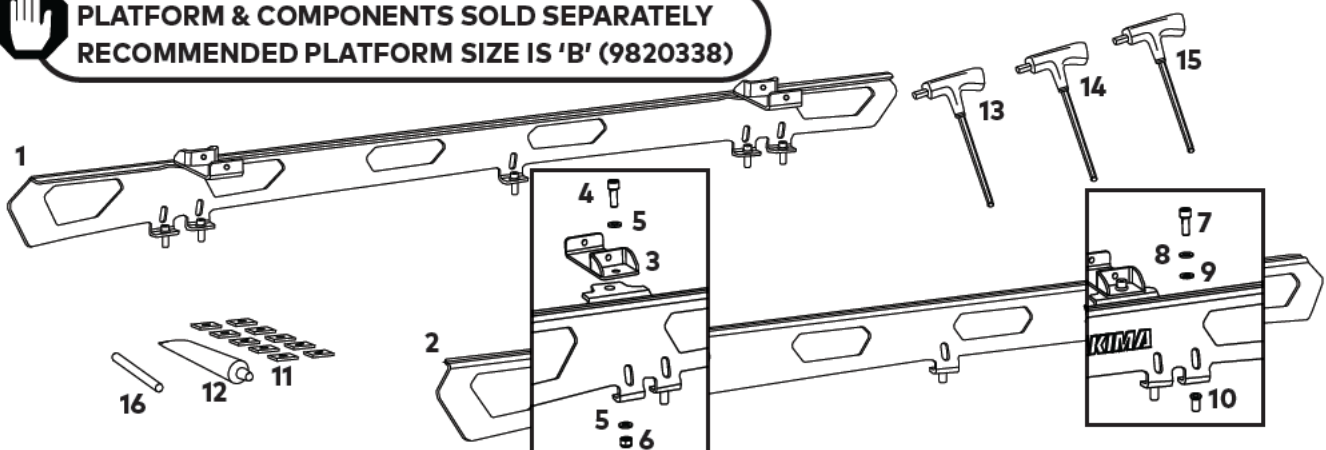
- Plastic Scraper Tool
- Measuring Tape
- Marking Pen
- Power or Cordless Drill
- 3 mm Drill Bit
- 5 mm Drill Stop
- Vacuum Cleaner
- Rivnut Tool
- Zinc Rich Cold Galvanising Coating
- 13 mm Spanner
- Cutters/Scissors
- Torque Wrench

### KIT CONTENTS

ITEM	COMPONENT	QTY	ITEM	COMPONENT	QTY
1.	RAM 1500 RuggedLine RH 2112	x1	9.	M6 Washer	x8
2.	RAM 1500 RuggedLine LH 2112	x1	10.	M6 Rivnut	x10
3.	Pivot Bracket	x4	11.	Foam Adhesive	x10
4.	M8 x 20 mm Socket Head Cap Screw	x4	12.	Silicone Sealant	x1
5.	M8 Washer	x8	13.	4 mm T-Handle Ball End Allen Key	x1
6.	M8 Nyloc Nut	x4	14.	5 mm T-Handle Ball End Allen Key	x1
7.	M6 x 20 mm Socket Head Cap Screw	x10	15.	6 mm T-Handle Ball End Allen Key	x1
8.	M6 Spring Washer	x10	16.	9 mm Drill Bit	x1



**PLATFORM & COMPONENTS SOLD SEPARATELY**  
**RECOMMENDED PLATFORM SIZE IS 'B' (9820338)**



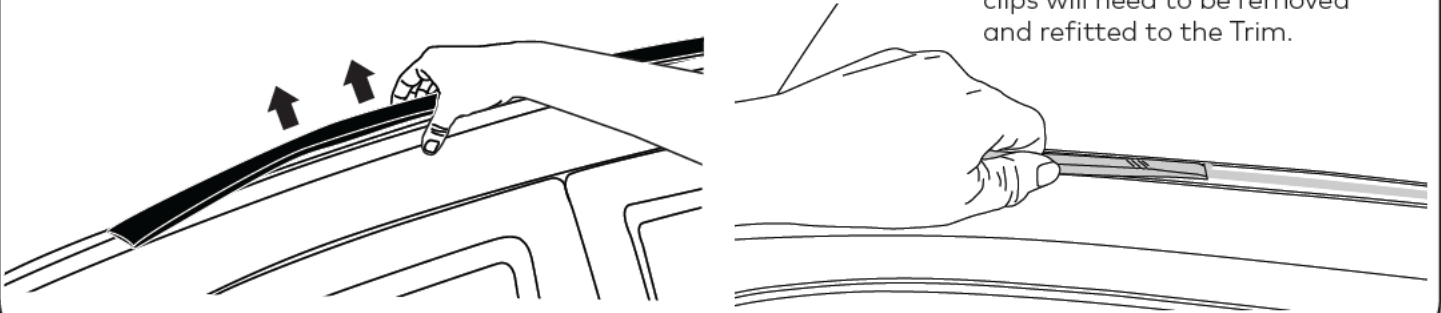
## REMOVING ROOF TRIM AND DRILLING ROOF CHANNEL

### 1 CAREFULLY REMOVE THE METAL BACKED TRIM FROM THE ROOF.

Carefully remove the plastic clips from the vehicle and refit the trim.

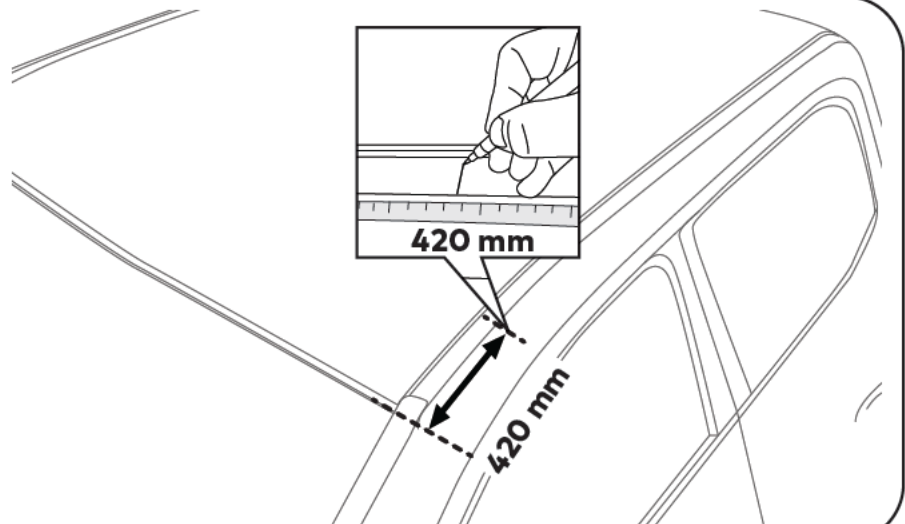
Store channel trim in a safe location for use in step 7, page 6.

**NOTE** - When the trim strip is removed, the plastic clips remain on the vehicle. The plastic clips will need to be removed and refitted to the Trim.



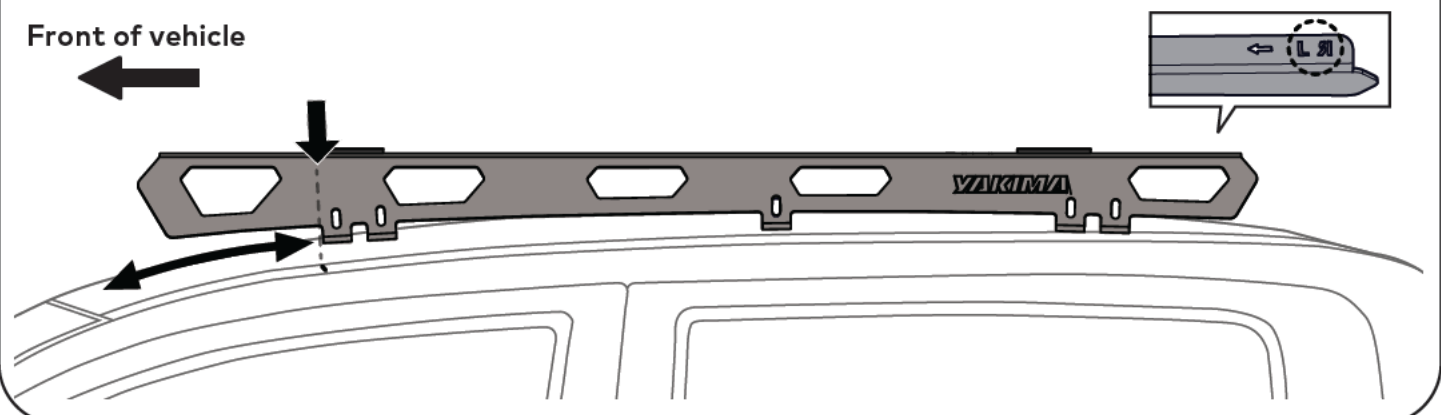
### 2 MEASURE AND MARK ROOF CHANNEL.

Using a measuring tape, measure 420 mm back from the start of the windscreen and mark measurement on roof channel with a marking pen as shown.



### 3 POSITION RUGGEDLINE ON ROOF CHANNEL.

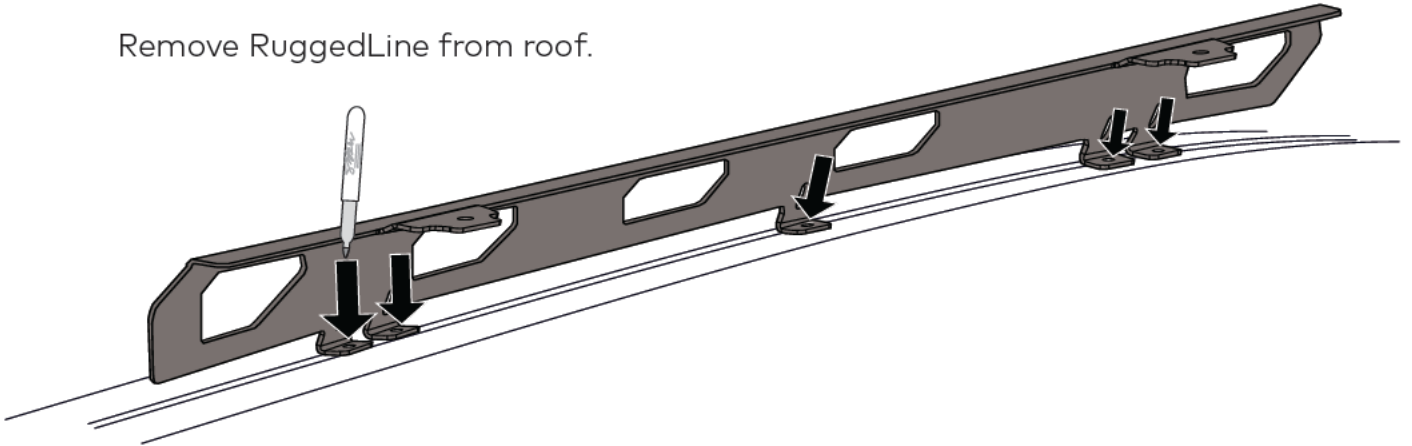
Referring to the left-right orientation on top of each RuggedLine, carefully place the side of the RuggedLine that matches the side of the vehicle with the marked measurement onto vehicle roof channel, lining up the front facing edge of the first tab to the 420 mm measurement as shown.



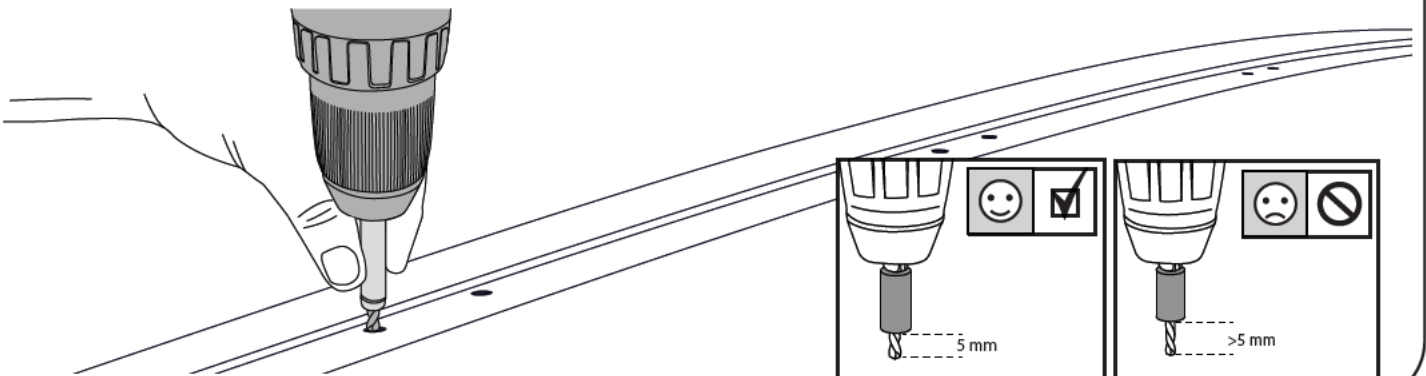
**4****MARK DRILL HOLES ON ROOF CHANNEL.**

With the help of an assistant, securely hold RuggedLine in place and mark all drill holes through the tabs on RuggedLine into the roof channel with a marking pen.

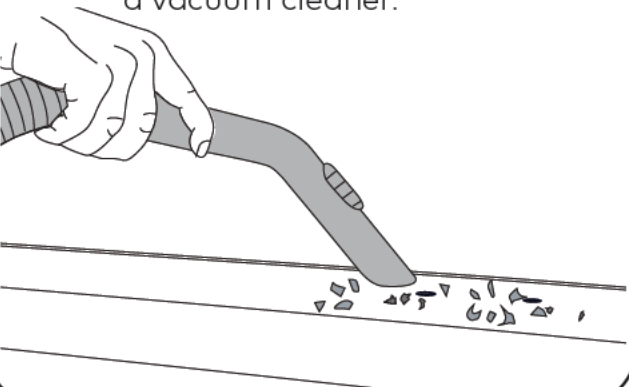
Remove RuggedLine from roof.

**5****DRILL MARKED HOLES.**

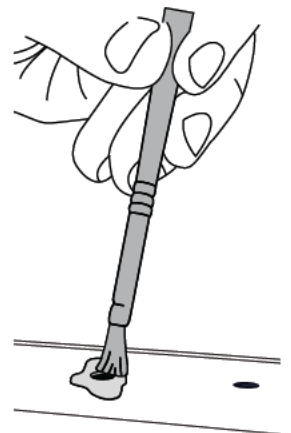
Using a 5 mm drill stop and 3 mm drill bit (not supplied), drill pilot holes at the marked locations, then open out holes using a 5 mm drill stop and 9 mm drill bit (supplied) to drill through the vehicle roof.

**6****REMOVE SWARF.**

Avoid pushing swarf into the newly drilled holes by removing swarf from roof channel with a vacuum cleaner.

**7****APPLY GALVANISING SOLUTION.**

Liberal apply a zinc rich cold galvanising solution to the inside surface and surrounds of each hole. Allow solution to become touch dry (approx. 10 min depending on product used).

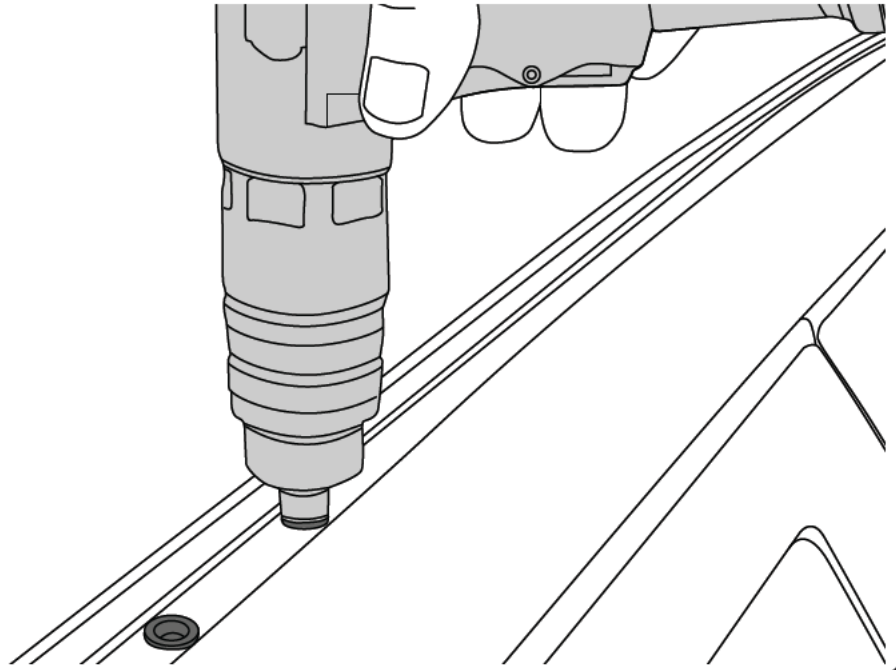


**Apply liberally in and around holes**

**8**

**INSTALL RIVNUTS.**

Install the rivnuts into each of the drilled holes using a rivnut tool.



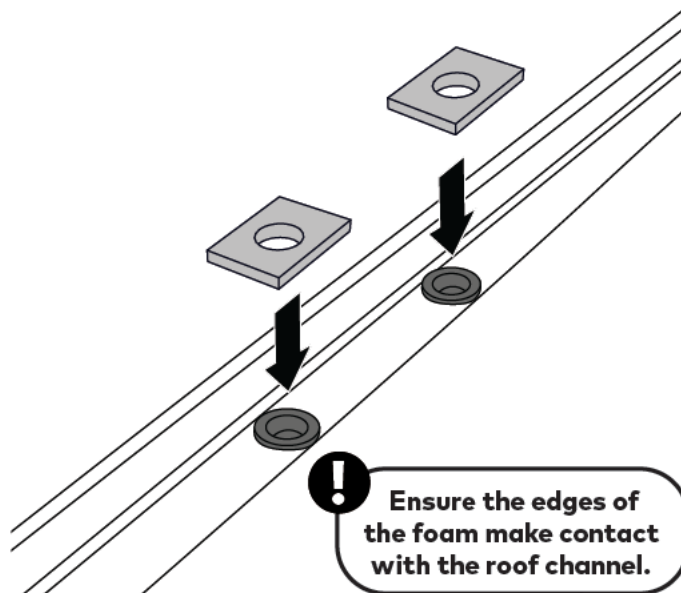
**MOUNTING RUGGEDLINE**

**1**

**AFFIX FOAM ADHESIVE.**

Carefully apply foam adhesive over all the rivnuts in the roof channel, lining up holes in foam with the holes in roof channel.

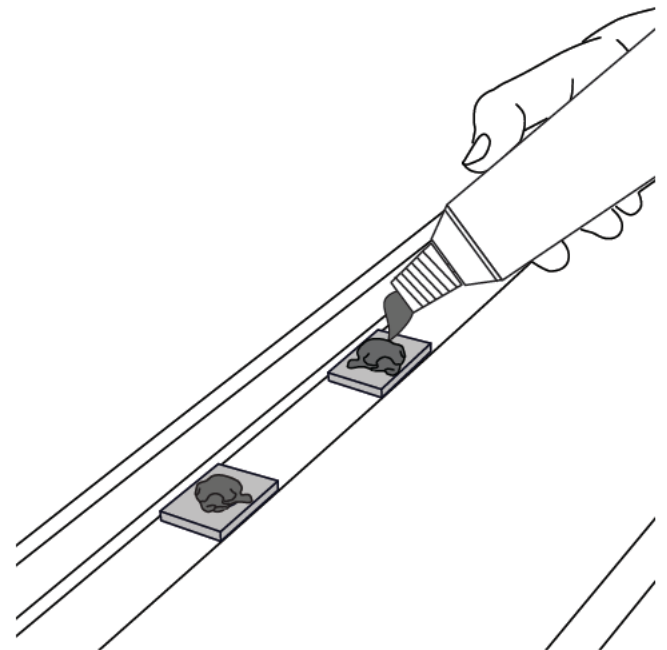
Apply with adhesive side to vehicle.



**2**

**APPLY SILICONE SEALANT.**

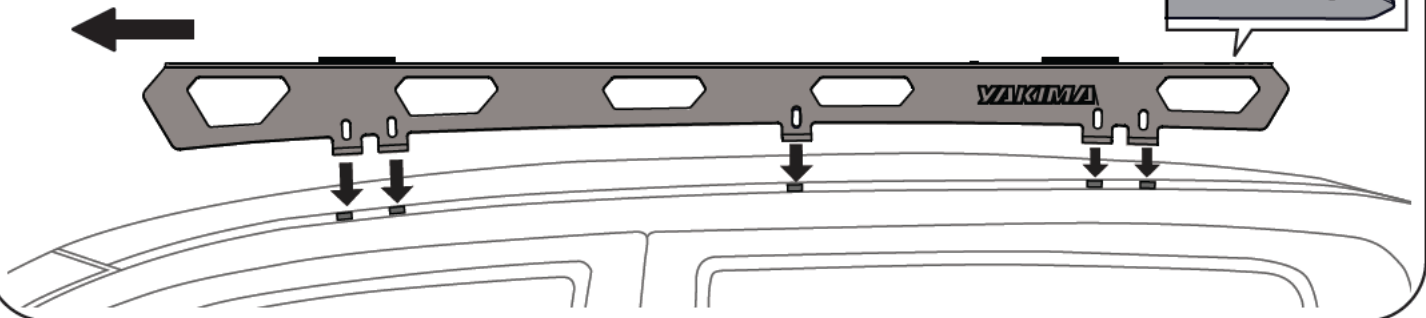
Liberally apply the supplied silicone sealant to the inside surface and on top of all holes **on one side of vehicle.**



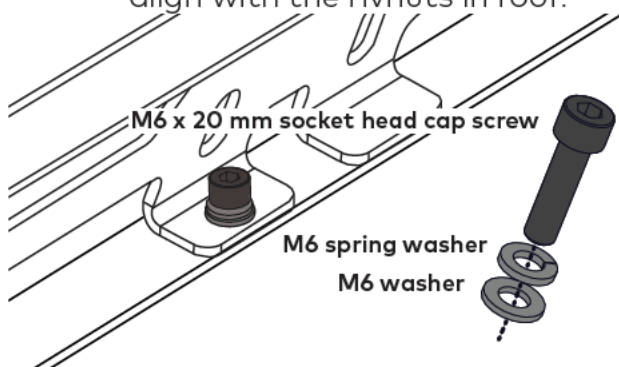
**3****POSITION RUGGEDLINE ON VEHICLE ROOF.**

Referring to the left-right orientation on top of each RuggedLine, carefully place the correct side of the RuggedLine onto vehicle roof as shown. Line up the mounting holes on the bottom tabs to those exposed on the roof. The tabs are to face in towards the vehicle.

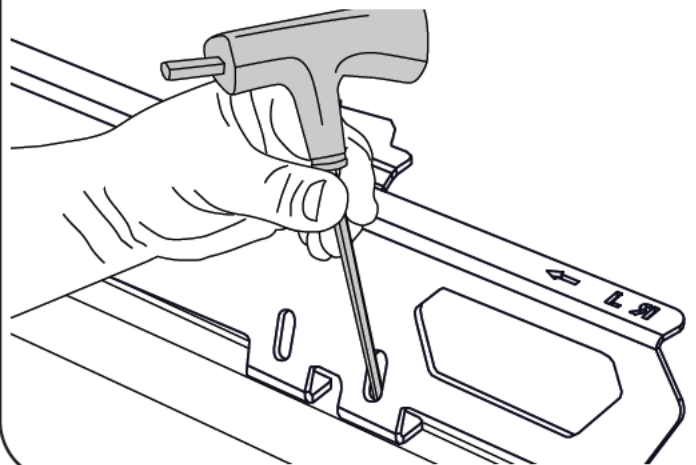
Front of vehicle

**4****ASSEMBLE RUGGEDLINE HARDWARE.**

Assemble the M6 socket head cap screw, M6 spring washer and washer as shown and place into mounting holes on bottom tabs of RuggedLine. Ensure hardware and holes align with the rivnuts in roof.

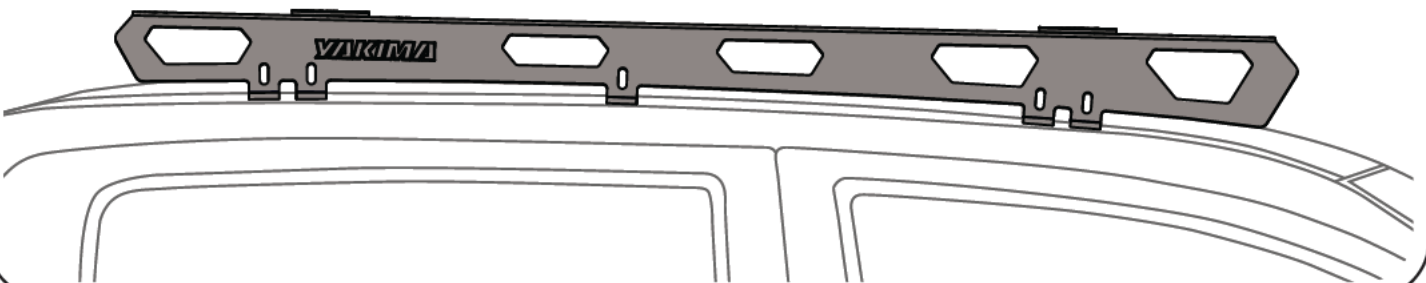
**5****TIGHTEN RUGGEDLINE HARDWARE.**

Using the 5 mm T-handle ball end allen key, and avoiding damage to the powder coat, start to carefully secure the RuggedLine by tightening the M6 socket head cap screws to 4 Nm into the rivnuts in roof.

**6****REPEAT STEPS TO OPPOSITE SIDE.**

Repeat steps 2-5 on pages 4-5 for securing opposite side of RuggedLine.

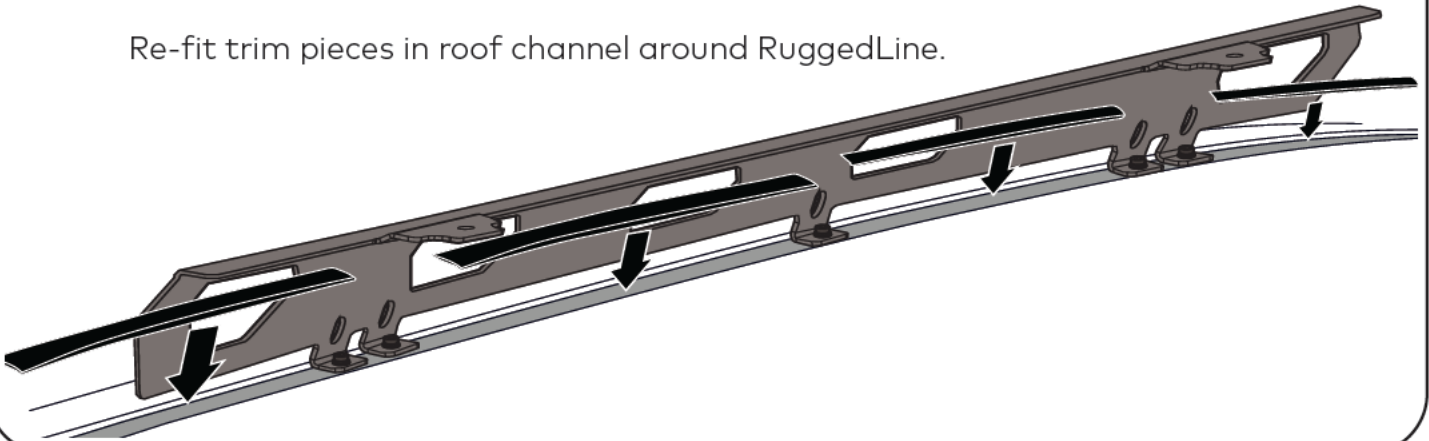
Ensure both Ruggedline are securely positioned on vehicle roof. Check each screw is secure before proceeding to install LockNLoad platform to RuggedLine.



**7****CUT AND REFIT ROOF TRIM.**

Line up roof trim removed in step 1 against the Ruggedline to measure and mark to allow fitment around the tabs. Use a hacksaw or similar to cut to length. Touch up cut edges with zinc rich cold galvanizing solution.

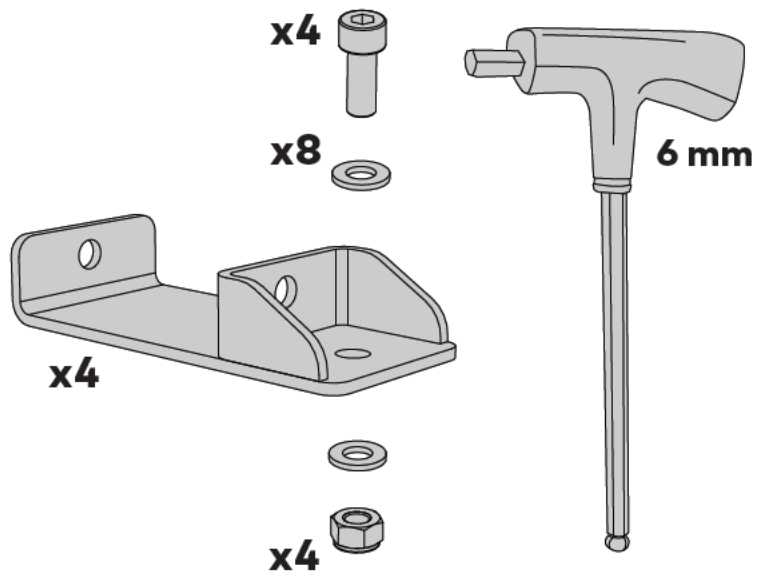
Re-fit trim pieces in roof channel around RuggedLine.

**8****PIVOT BRACKET ASSEMBLIES.**

Retain the 6 mm T-handle ball end allen key and not yet installed pivot brackets, M8 x 20 mm socket head cap screws, M8 nyloc nuts and M8 washers.



These components will be required for mounting your LockNLoad platform to your newly installed RuggedLine

**!**

**NOW SWITCH TO YOUR LOCKNLOAD PLATFORM INSTRUCTIONS AND CONTINUE FROM THE 'RUGGEDLINE MOUNTING INSTRUCTIONS' PAGE.**

This page intentionally left blank

**YAKIMA®**

[www.yakima.com.au](http://www.yakima.com.au)  
[www.yakima.co.nz](http://www.yakima.co.nz)  
[www.yakima.com](http://www.yakima.com)  
[www.yakima.eu](http://www.yakima.eu)

**YAKIMA AUSTRALIA PTY LTD**

17 Hinkler Court  
Brendale, QLD 4500  
Australia  
1800 143 548

**YAKIMA PRODUCTS, INC.**

4101 Kruse Way  
Lake Oswego, OR  
97035-2541  
USA  
888 925 4621  
[yakima.com/support](http://yakima.com/support)

ALL CONTENT SUBJECT TO YAKIMA AUSTRALIA PTY LTD COPYRIGHT © 2022