

MAXIMUM PRODUCT LOAD RATING: 150 kg 

IMPORTANT:

- **LOAD = WEIGHT OF PLATFORM or BARS + MOUNTING SYSTEM + ACCESSORIES + CARGO**
- **PLEASE REFER TO VEHICLE MANUFACTURER SPECIFICATIONS FOR MAX ROOF LOAD CAPACITY OF VEHICLE. THE LOWEST LOAD RATING APPLIES.**
- **OFFROAD RATING: SCAN QR CODE FOR LOCKNLOAD LOAD RATING GUIDE. REDUCTIONS MAY APPLY.**



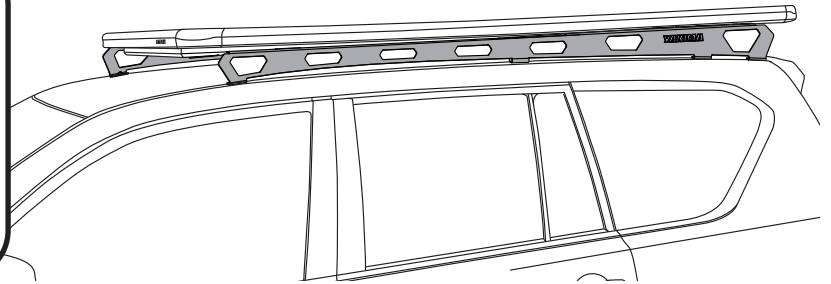
FIRST TIME INSTALLATION

- Please read instructions carefully before installation.
- Check the contents of kit. Each LockNLoad RuggedLine has the last four digits of the kit's part number lasered in. Contact your YAKIMA dealer if any parts appear missing, incorrect or damaged.
- Clean your roof thoroughly prior to fitting the LockNLoad RuggedLine.
- Place these instructions in the vehicle's glove box after installation is complete.



TOOLS REQUIRED:

- Trim Remover Tool (preferred) or
- Flat Head Screwdriver (with tape)
- Phillips Screwdriver
- Socket Wrench
- 6 mm, 7 mm & 10 mm Socket
- 8 mm & 10 mm Ring Spanner
- 13 mm Spanner
- T20, T30, T35, & T45 Torx bits

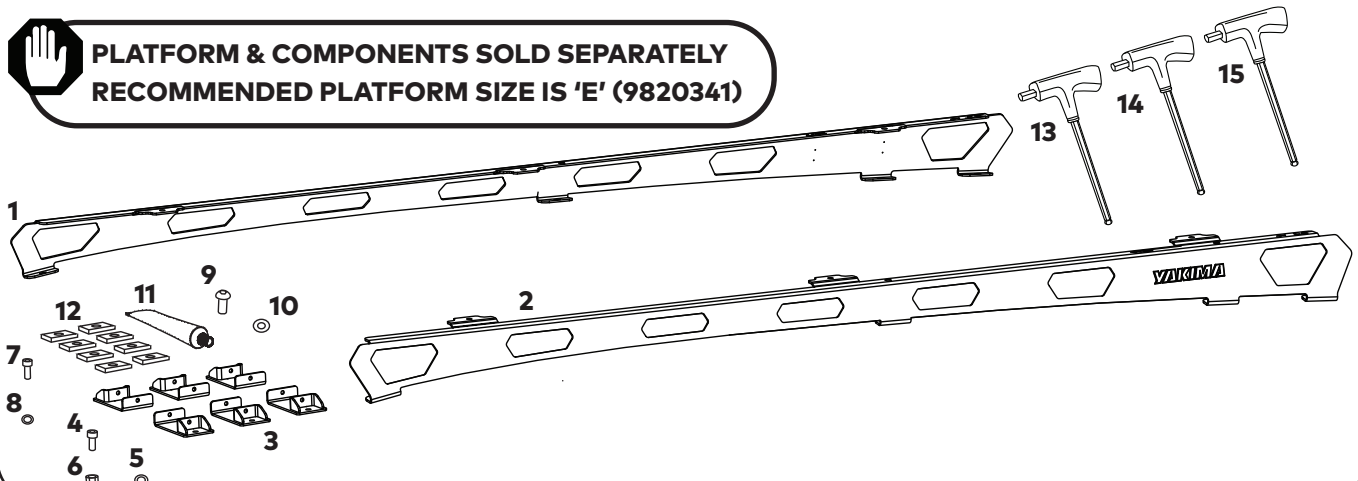


KIT CONTENTS

ITEM	COMPONENT	QTY	ITEM	COMPONENT	QTY
1.	Ford Everest RuggedLine RH 2177	x1	8.	M6 x 16 mm Washer	x8
2.	Ford Everest RuggedLine LH 2177	x1	9.	M6 x 20 mm Button Head Cap Screw	x2
3.	Pivot Bracket	x6	10.	M6 x 12.5 mm Washer	x2
4.	M8 x 20 mm Socket Head Cap Screw	x6	11.	Silicone Sealant	x1
5.	M8 Washer	x12	12.	Foam Adhesive	x8
6.	M8 Nyloc Nut	x6	13.	4 mm T-Handle Ball End Allen Key	x1
7.	M6 x 20 Socket Head Cap Screw	x8	14.	5 mm T-Handle Ball End Allen Key	x1
			15.	6 mm T-Handle Ball End Allen Key	x1



**PLATFORM & COMPONENTS SOLD SEPARATELY
RECOMMENDED PLATFORM SIZE IS 'E' (9820341)**

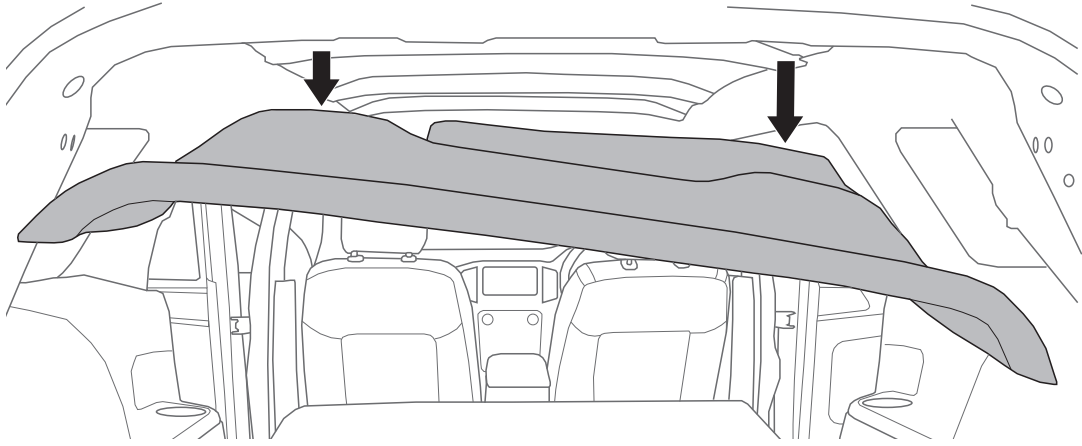


FLUSH RAIL & RAISED RAIL INSTALLATION

1

REMOVE ROOF LINING (RECOMMENDED PROFESSIONALS ONLY).

Before the factory roof rails can be removed, you will need to arrange for the roof lining to be carefully removed to provide access to the rail nuts. These are only accessible from the underside of the roof.



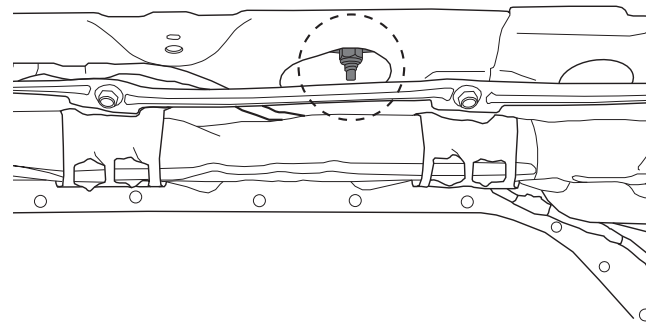
2

REMOVE RAIL HARDWARE.

Once the lining has been removed, unscrew the factory nuts to remove the roof rails. There are x5 each side of vehicle, close to curtain airbag.

Nuts to be removed with 10 mm socket wrench.

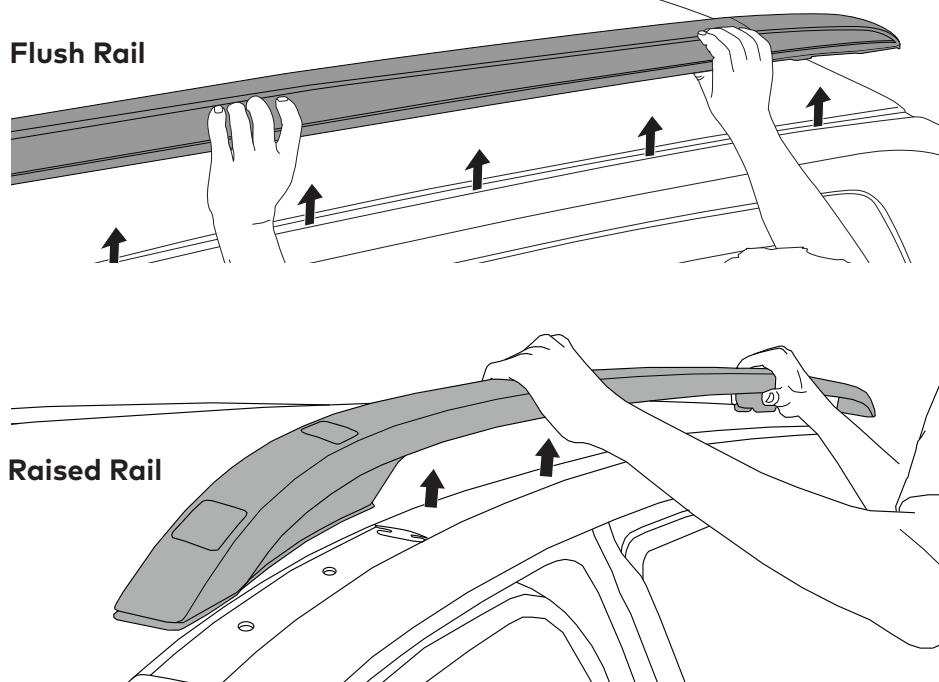
DO NOT DISCARD NUTS



3

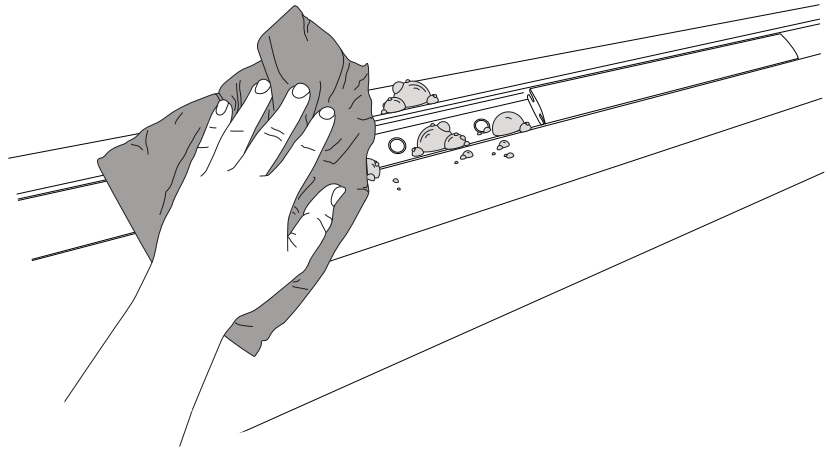
REMOVE RAILS.

Carefully lift roof rails x2 directly upwards and remove from the roof.



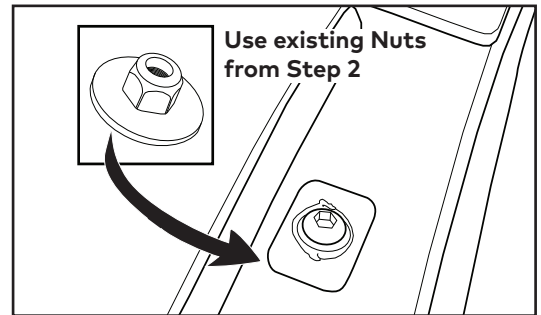
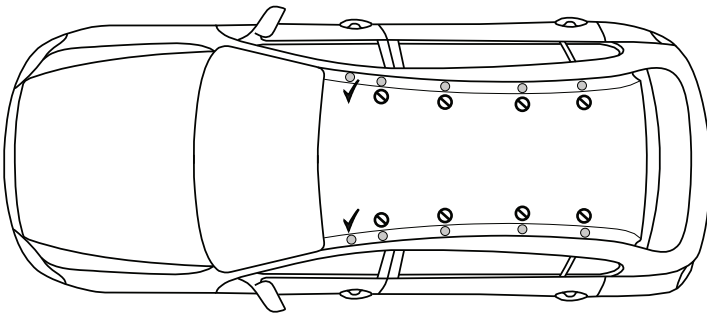
4**CLEAN ROOF.**

Wipe clean any dirt that may have built up in and around all mounting holes.

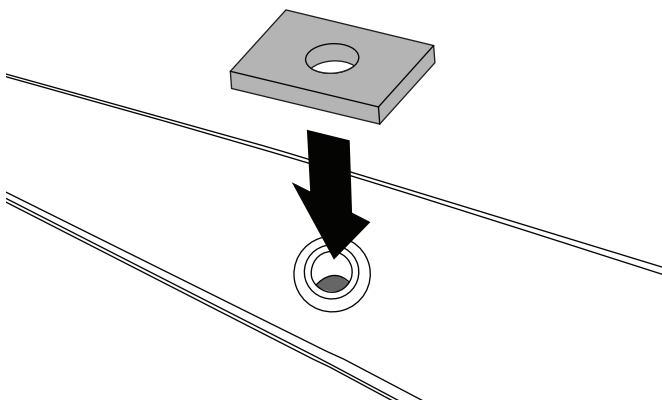
**5****FILL IN THE FRONT HOLES.**

Fill in front holes with x2 M6 button head cap screws and M6 x 12.5 mm washers. Apply silicone sealant when installing the screws.

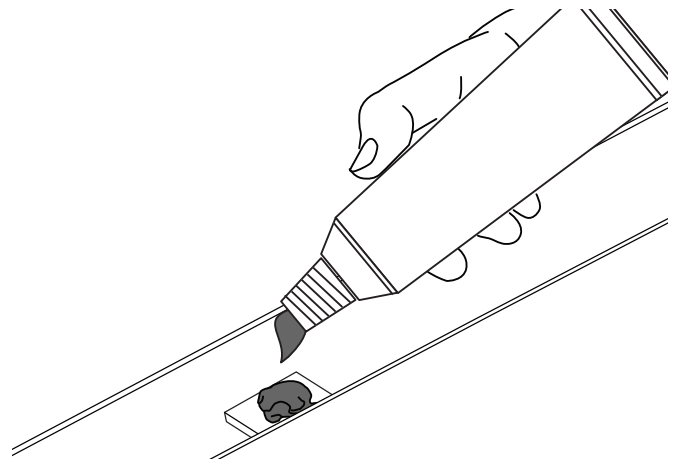
Tighten all cap screws to 4 Nm with a 4 mm ball end allen key or a suitable Torque wrench.

**6****AFFIX FOAM ADHESIVE.**

Apply foam adhesive over remaining 8 mounting holes in the vehicle's fixed points, with adhesive side to vehicle.

**7****APPLY SILICONE SEALANT.**

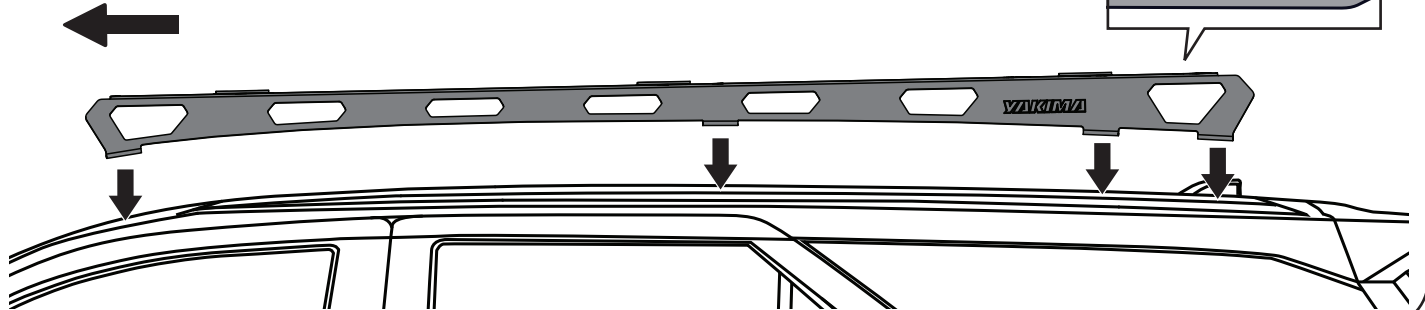
Liberalily apply the supplied silicone sealant to the inside surface and on top of each hole **on one side of vehicle.**



8**POSITION RUGGEDLINE ON VEHICLE ROOF.**

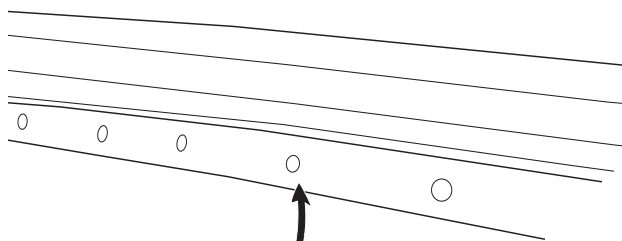
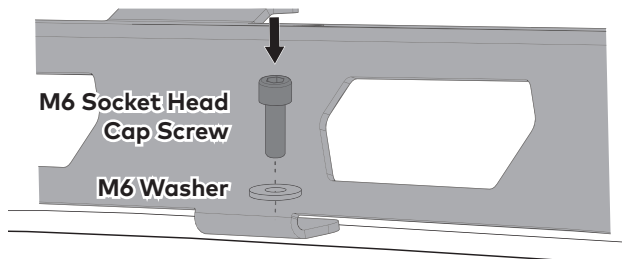
Referring to the left-right orientation on top of each RuggedLine, carefully place one side of the RuggedLine onto vehicle roof as shown. Line up the mounting holes on the bottom tabs to those exposed on the roof. The tabs are to face in towards the vehicle.

Front of vehicle

**9****INSERT BOLTS.**

Insert M6 socket head cap screws into feet of RuggedLine to vehicle.

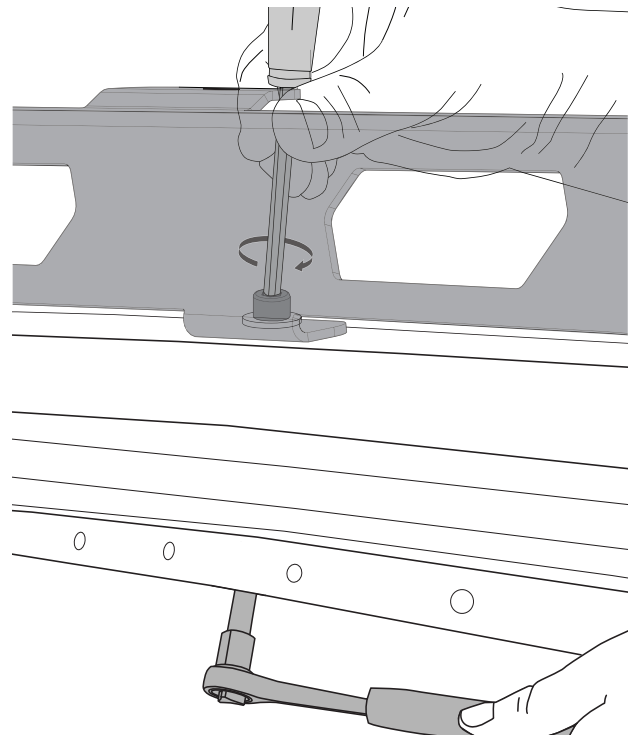
USE SILICONE SEALANT TO SEAL BOLT THREADS AND MOUNTING SURFACES.



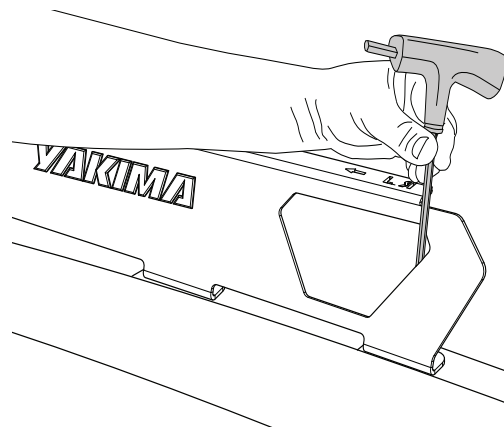
Use existing Nuts from Step 2

**10****TIGHTEN BOLTS.**

Using the socket wrench hold the nut in place while screwing in from above.

**11****TIGHTEN RUGGEDLINE HARDWARE.**

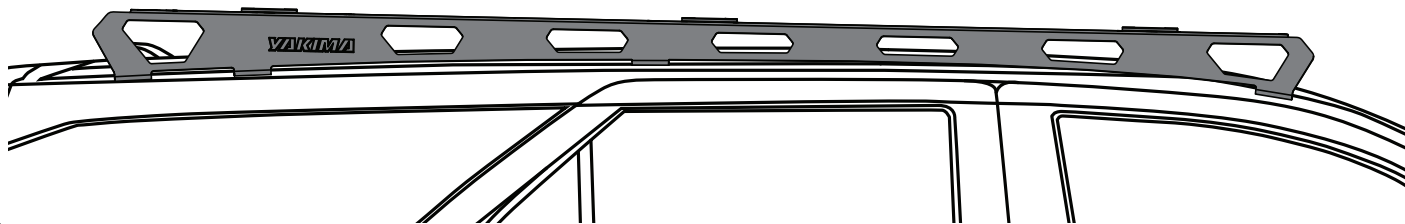
Using the 5 mm T-handle ball end allen key, and avoiding damage to the powder coat, start to carefully secure the RuggedLine by tightening the M6 socket head cap screws to 7 Nm into the mounting holes in roof.



12**REPEAT STEPS ON OPPOSITE SIDE.**

Repeat steps 7-11 on pages 3-4 for securing opposite side RuggedLine.

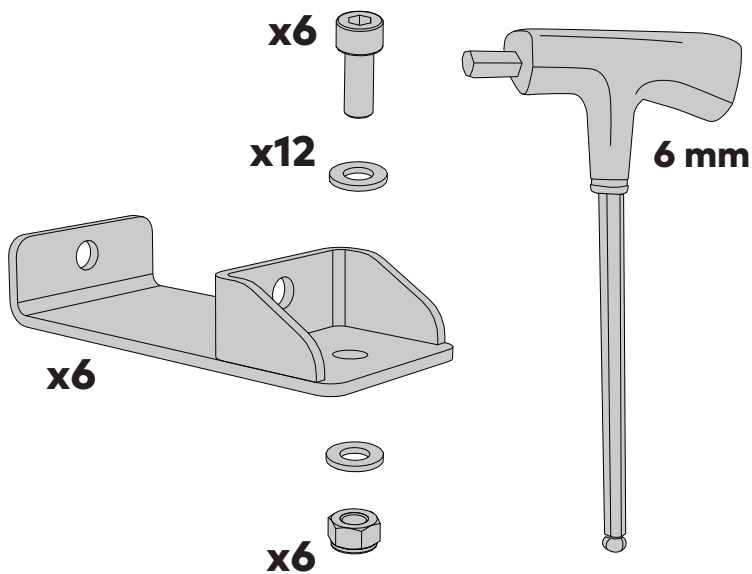
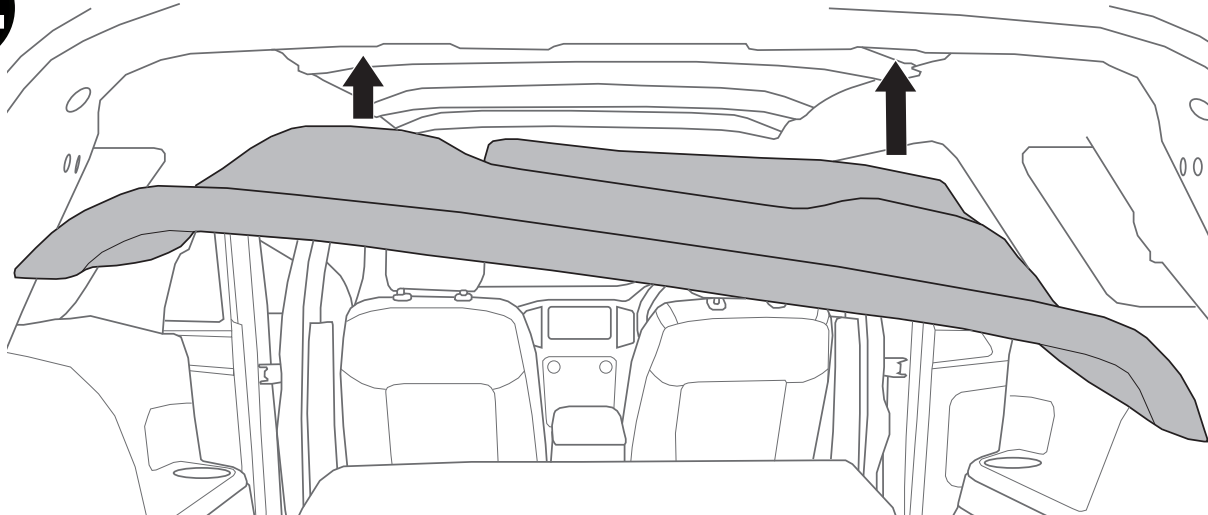
Ensure both RuggedLine are securely positioned on vehicle roof. Check each screw is secure before proceeding to install LockNLoad platform to your RuggedLine.

**13****PIVOT BRACKET ASSEMBLIES.**

Retain the 6 mm T-handle ball end allen key and not yet installed pivot brackets, M8 x 20 mm socket head cap screws, M8 nyloc nuts and M8 washers.



These components will be required for mounting your LockNLoad platform to your newly installed RuggedLine.

**14****REFIT ROOF LINING (RECOMMENDED PROFESSIONALS ONLY).**

NOW SWITCH TO YOUR LOCKNLOAD PLATFORM INSTRUCTIONS AND CONTINUE FROM THE 'RUGGEDLINE MOUNTING INSTRUCTIONS' PAGE.



www.yakima.com.au
www.yakima.co.nz
www.yakima.com
www.yakima.eu

YAKIMA AUSTRALIA PTY LTD

17 Hinkler Court
Brendale, QLD 4500
Australia
1800 143 548

YAKIMA PRODUCTS, INC.

4101 Kruse Way
Lake Oswego, OR
97035-2541
USA
888 925 4621
yakima.com/support